



# T&S BRASS AND BRONZE WORKS, INC.

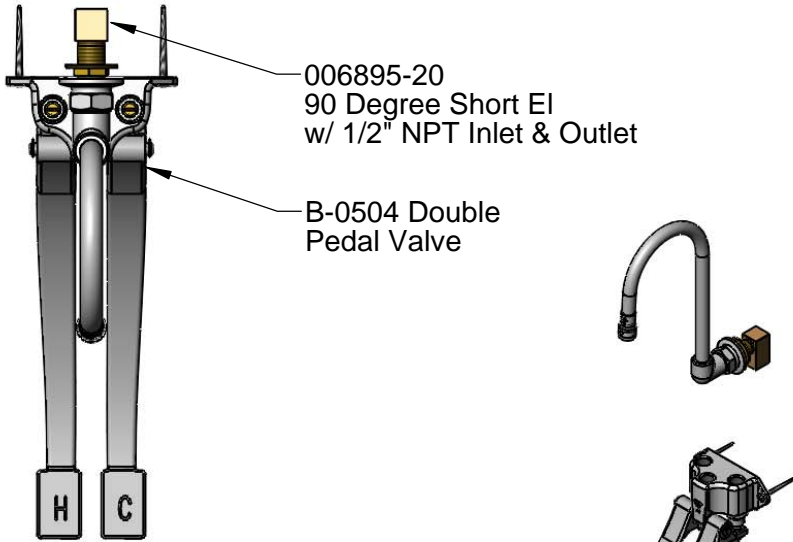
2 Saddleback Cove / P.O. Box 1088  
Travelers Rest, SC 29690

Model No.

**B-0504-537K**

Item No.

Travelers Rest, SC: 800-476-4103 • Simi Valley, CA: 800-423-0150 • Fax: 864-834-3518 • www.tsbrass.com



006895-20  
90 Degree Short El  
w/ 1/2" NPT Inlet & Outlet

B-0504 Double  
Pedal Valve

This Space for Architect/Engineer Approval

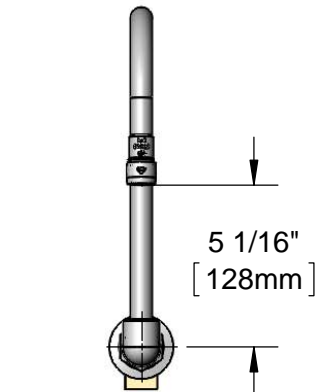
Job Name \_\_\_\_\_ Date \_\_\_\_\_

Model Specified \_\_\_\_\_ Quantity \_\_\_\_\_

Customer/Wholesaler \_\_\_\_\_

Contractor \_\_\_\_\_

Architect/Engineer \_\_\_\_\_



5 1/16"  
[128mm]

5 5/16"  
[135mm]

4 1/2"  
[114mm]

20 1/2"  
[521mm]  
Max

14 1/4"  
[362mm]

8 3/4"  
[222mm]

7 13/16"  
[198mm]

5 9/16"  
[141mm]

Adjustable From 1 3/4"  
[113mm] to 7" [178mm]  
When Valve is Closed. 1 3/8"  
[35mm] to 3 1/8" [79mm] When  
Valve is Opened.

Adjustable From 14 7/16" [386mm]  
to 15 1/2" [394mm] When Valve is  
Closed. 14 5/16" [363mm] to  
15" [381mm] When Valve is Opened.

Note: All Pedal Position Dimensions are Based on a Recommended Min. Mtg. Height of 8 3/4" [222mm] Above Finished Floor.

Product Specifications:  
Wall-Mounted Double Pedal Valve w/  
Dummy Rigid Gooseneck and 2.2 GPM Aerator

Product Compliance:  
ASME A112.18.1 / CSA B125.1  
NSF 61 - Section 9  
NSF 372 (Low Lead Content)



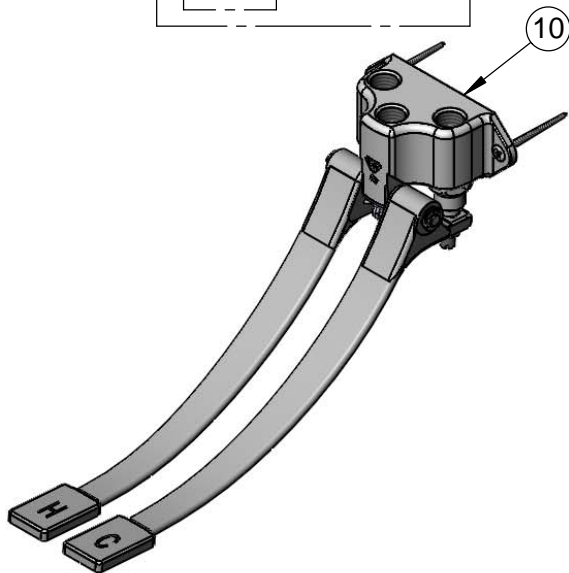
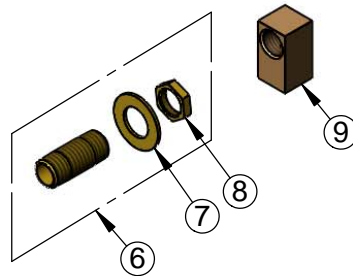
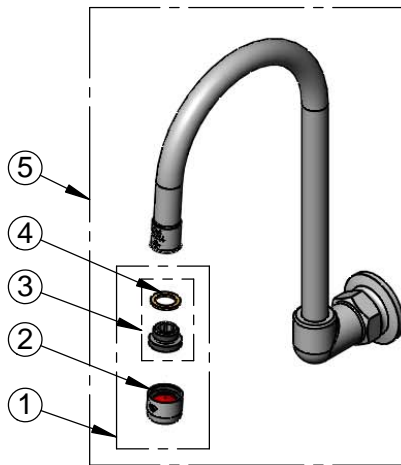
**T&S BRASS AND BRONZE WORKS, INC.**  
 2 Saddleback Cove / P.O. Box 1088  
 Travelers Rest, SC 29690

Model No.  
**B-0504-537K**

Item No.

Travelers Rest, SC: 800-476-4103 • Simi Valley, CA: 800-423-0150 • Fax: 864-834-3518 • www.tsbrass.com

ITEM NO.	SALES NO.	DESCRIPTION
1	B-0199-02	2.2 GPM Aerator, 3/8" NPSM Male
2	B-0199-01	2.2 GPM Aerator, 55/64"-27 UN Female
3	044A	3/8" to Aerator Adapter
4	001043-45	Washer
5	B-0537	Rigid Wall Mount Gooseneck w/ 2.2 Aerator and 1/2" NPT Female Inlet
6	B-0435	1/2" NPT Supply Nipple Kit
7	000999-45	Brass Lock Washer
8	002954-45	Shank Lock Nut
9	006895-20	Short EI, 1/2 NPT-F x 1/2 NPT-F
10	B-0504	Double Pedal Valve Body



Product Specifications:  
 Wall-Mounted Double Pedal Valve w/  
 Dummy Rigid Gooseneck and 2.2 GPM Aerator

Product Compliance:  
 ASME A112.18.1 / CSA B125.1  
 NSF 61 - Section 9  
 NSF 372 (Low Lead Content)