



T&S BRASS AND BRONZE WORKS, INC.
 2 Saddleback Cove / P.O. Box 1088
 Travelers Rest, SC 29690

Model No.
B-0502-537K

Item No.

Travelers Rest, SC: 800-476-4103 • Simi Valley, CA: 800-423-0150 • Fax: 864-834-3518 • www.tsbrass.com

This Space for Architect/Engineer Approval

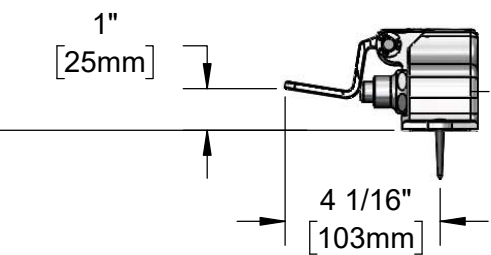
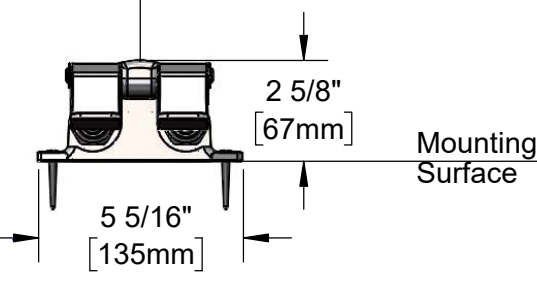
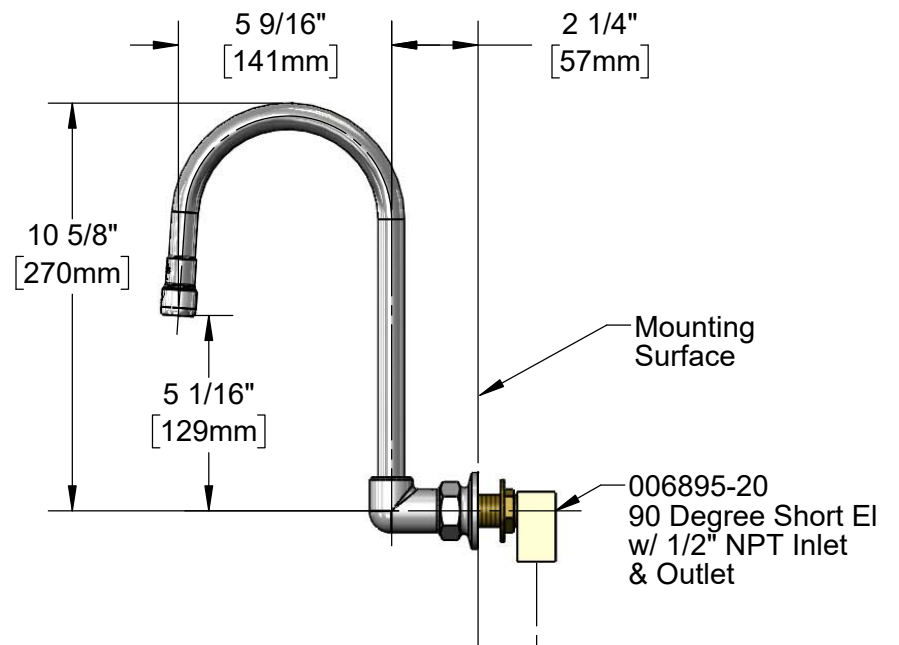
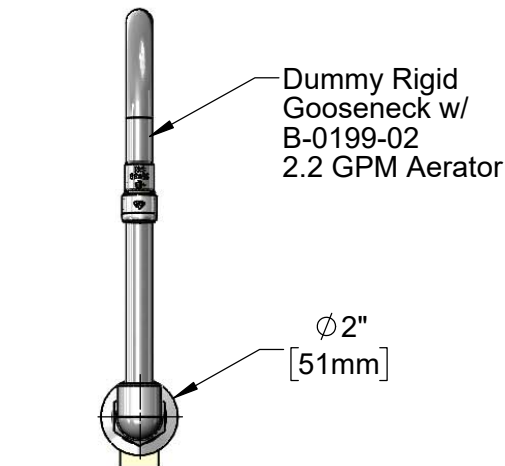
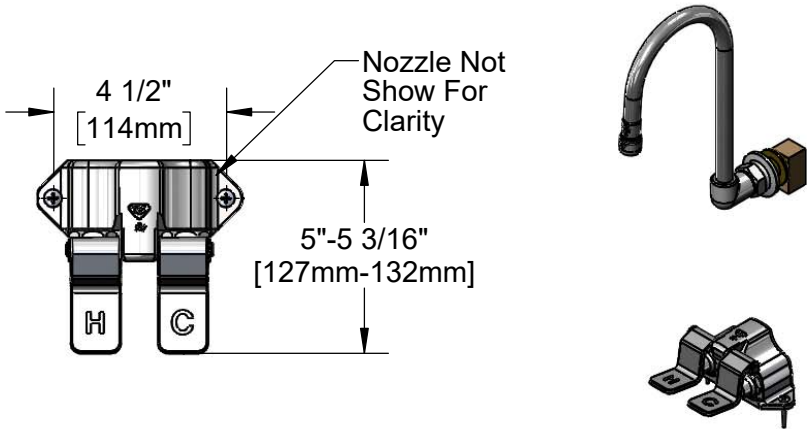
Job Name _____ Date _____

Model Specified _____ Quantity _____

Customer/Wholesaler _____

Contractor _____

Architect/Engineer _____



Product Specifications:
 Floor-Mounted Double Pedal Valve w/
 Dummy Rigid Gooseneck and 2.2 GPM Aerator

Product Compliance:
 EPA Act 2005 Non-Compliant (PRSV)
 NSF 61 - Section 9
 NSF 372 (Low Lead Content)



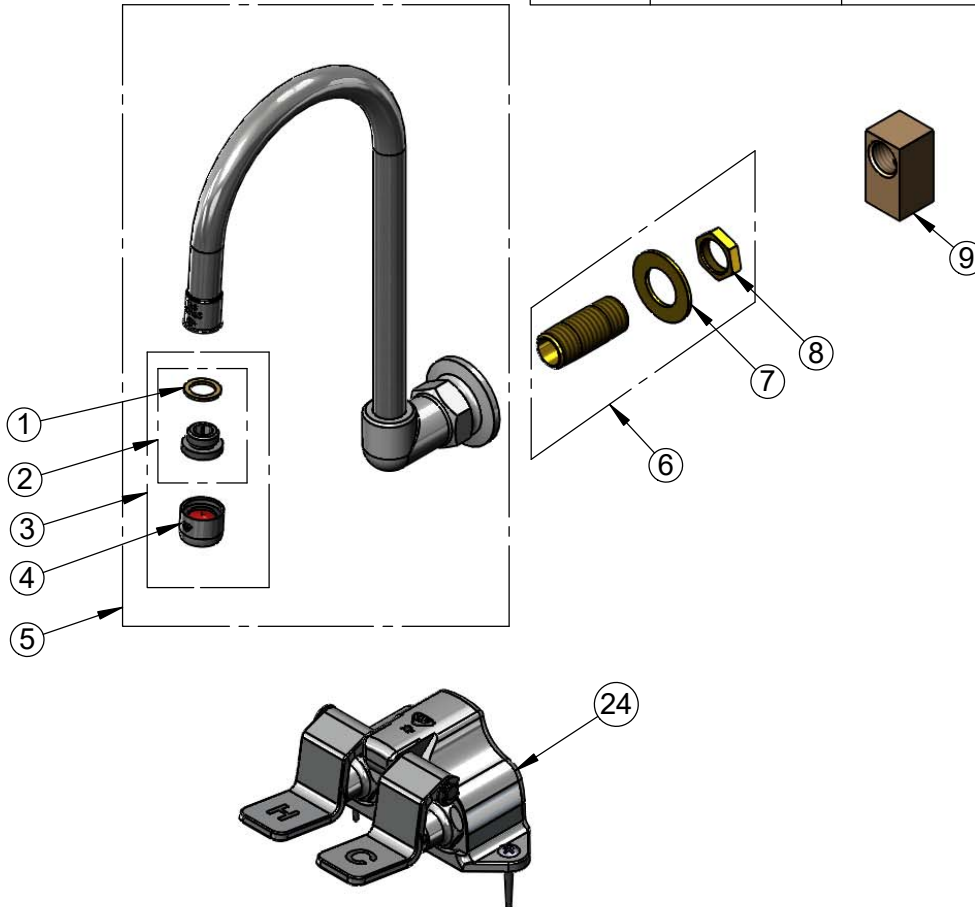
T&S BRASS AND BRONZE WORKS, INC.
 2 Saddleback Cove / P.O. Box 1088
 Travelers Rest, SC 29690

Model No.
B-0502-537K

Item No.

Travelers Rest, SC: 800-476-4103 • Simi Valley, CA: 800-423-0150 • Fax: 864-834-3518 • www.tsbrass.com

ITEM NO.	SALES NO.	DESCRIPTION
1	001043-45	Washer
2	044A	3/8" to Aerator Adapter
3	B-0199-02	2.2 GPM Aerator, 3/8" NPSM Male
4	B-0199-01	2.2 GPM Aerator, 55/64"-27 UN Female
5	B-0537	Dummy Gooseneck w/ 2.2 GPM Aerator
6	B-0425	1/2" NPT Inlet Supply Nipple Kits
7	000999-45	Brass Lock Washer
8	002954-45	Shank Lock Nut
9	006895-20	Short EI, 1/2 NPT-F x 1/2 NPT-F
24	001-000001-40TS	Double Pedal Valve Body
25		Screw & Spacer, Pedal Spring



Product Specifications:
 Floor-Mounted Double Pedal Valve w/
 Dummy Rigid Gooseneck and 2.2 GPM Aerator

Product Compliance:
 EPAAct 2005 Non-Compliant (PRSV)
 NSF 61 - Section 9
 NSF 372 (Low Lead Content)