



T&S BRASS AND BRONZE WORKS, INC.
 2 Saddleback Cove / P.O. Box 1088
 Travelers Rest, SC 29690

Model No.
B-0466

Item No.

Travelers Rest, SC: 800-476-4103 • Simi Valley, CA: 800-423-0150 • Fax: 864-834-3518 • www.tsbrass.com

This Space for Architect/Engineer Approval

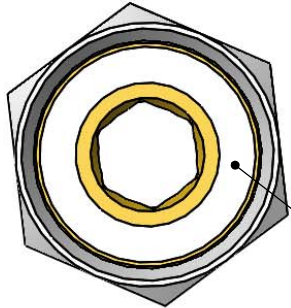
Job Name _____ Date _____

Model Specified _____ Quantity _____

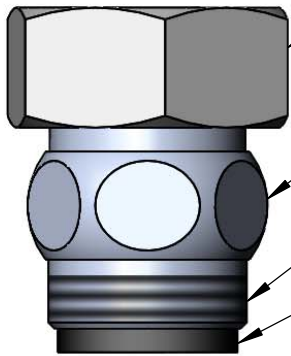
Customer/Wholesaler _____

Contractor _____

Architect/Engineer _____



Supplied with (1)
 Santoprene Seal
 per Assembly

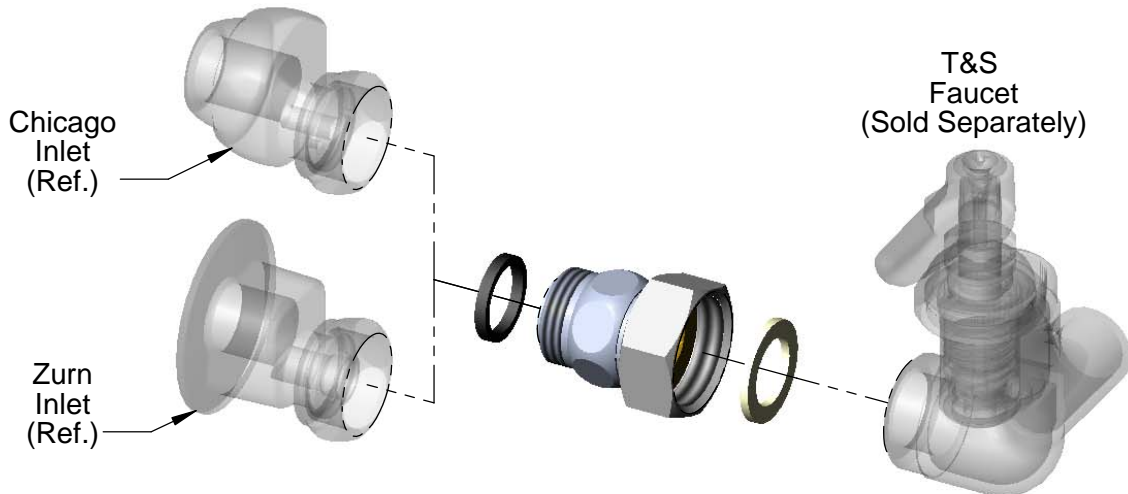


1 3/8" [35mm] Swivel Hex Nut
 with Internal Threads
 to fit T&S Faucet Body

1 1/8" [28.5mm] Hex on Body

Threads fit Chicago and Zurn
 Inlet Flanges

Supplied with (1)
 Nitrile or EPDM Seal
 per Assembly



Product Specifications:
 Wall Mount Faucet Adapter for T&S Faucet to Chicago / Zurn Inlets
 (Supplied in Qty (2) per Package)

Product Compliance:
 ASME A112.18.1 / CSA B125.1
 NSF 61 - Section 9
 NSF 372 (Low Lead Content)



T&S BRASS AND BRONZE WORKS, INC.

2 Saddleback Cove / P.O. Box 1088
Travelers Rest, SC 29690

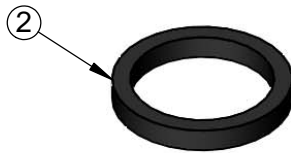
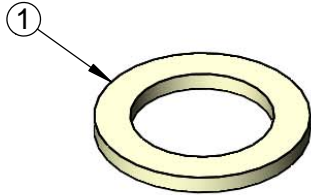
Model No.

B-0466

Item No.

Travelers Rest, SC: 800-476-4103 • Simi Valley, CA: 800-423-0150 • Fax: 864-834-3518 • www.tsbrass.com

ITEM NO.	SALES NO.	DESCRIPTION
1	001019-45	Coupling Nut Washer
2	001040-45	Washer, 3/4 ID x 15/16 OD x 1/8 thick



Product Specifications:
Wall Mount Faucet Adapter for T&S Faucet to Chicago / Zurn Inlets
(Supplied in Qty (2) per Package)

Product Compliance:
ASME A112.18.1 / CSA B125.1
NSF 61 - Section 9
NSF 372 (Low Lead Content)