



T&S BRASS AND BRONZE WORKS, INC.

2 Saddleback Cove / P.O. Box 1088
Travelers Rest, SC 29690

Model No.

B-0455

Item No.

Travelers Rest, SC: 800-476-4103 • Simi Valley, CA: 800-423-0150 • Fax: 864-834-3518 • www.tsbrass.com

This Space for Architect/Engineer Approval

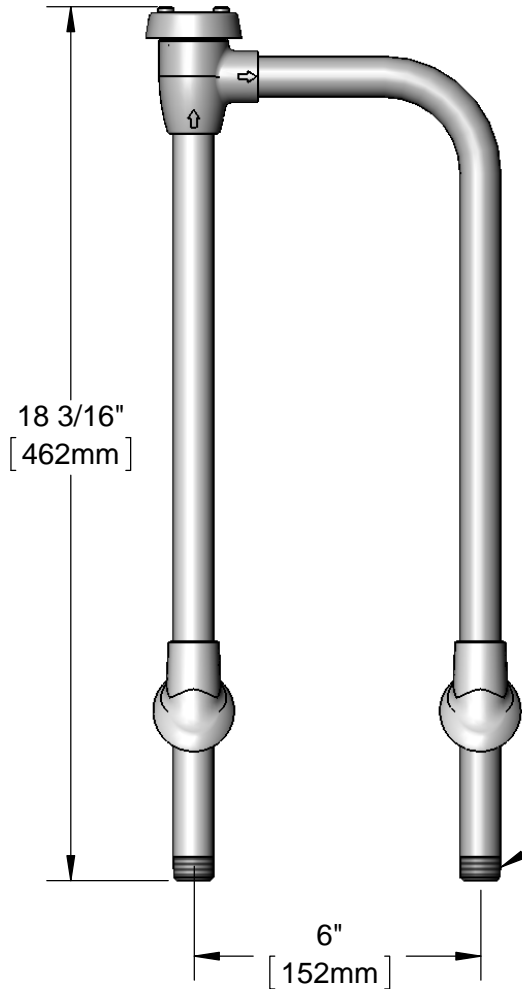
Job Name _____ Date _____

Model Specified _____ Quantity _____

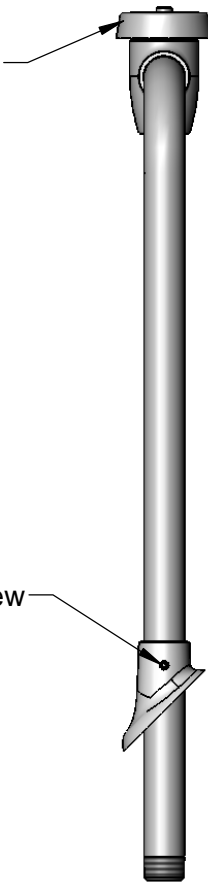
Customer/Wholesaler _____

Contractor _____

Architect/Engineer _____

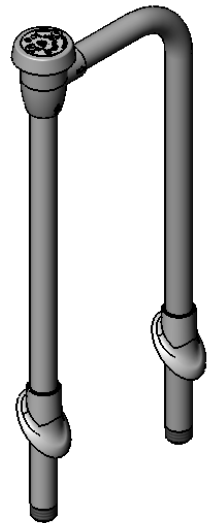


B-0969
1/2" NPT
Vacuum
Breaker



Set Screw

1/2" NPT
Male Thread
TYP



Rough-In Requirement:
(2) Ø1 1/4" [32mm]
Hole in Center of 45°
Mounting Surface to Slip
1/2" Pipe Through

Note:
Pipe Must be Held Rigid Under Sink
by Connection Fittings, Brace, Etc.

Product Specifications:
1/2" NPT Vacuum Breaker Unit, 6" c/c

Product Compliance:
ASME A112.18.1 / CSA B125.1
NSF 61 - Section 9
NSF 372 (Low Lead Content)
ASSE 1001