



T&S BRASS AND BRONZE WORKS, INC.
 2 Saddleback Cove / P.O. Box 1088
 Travelers Rest, SC 29690

Model No.
B-0443

Item No.

Travelers Rest, SC: 800-476-4103 • Simi Valley, CA: 800-423-0150 • Fax: 864-834-3518 • www.tsbrass.com

This Space for Architect/Engineer Approval

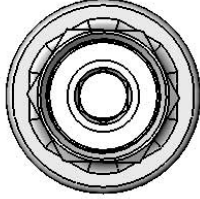
Job Name _____ Date _____

Model Specified _____ Quantity _____

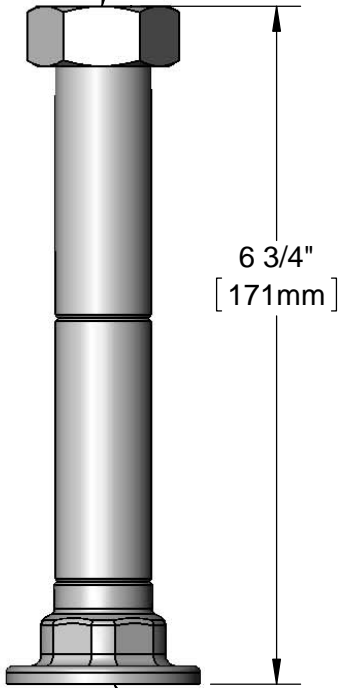
Customer/Wholesaler _____

Contractor _____

Architect/Engineer _____



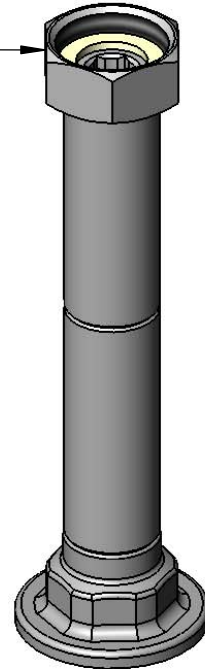
Faucet Flange Coupling
 Nut Fits Standard T&S
 Faucet Bodies.



6 3/4"
 [171mm]

Ø2"
 [51mm]
 Flanges w/
 1/2" NPT
 Female Inlets

Washer
 (Included)



Note:

Adds 5 1/2" [140mm] Length to Standard 00AA Inlet

Product Specifications:
 6 3/4" Faucet Inlet Extension, 1/2" NPT Female Inlet

Product Compliance:
 ASME A112.18.1 / CSA B125.1
 NSF 61 - Section 9
 NSF 372 (Low Lead Content)