



**T&S BRASS AND BRONZE WORKS, INC.**  
 2 Saddleback Cove / P.O. Box 1088  
 Travelers Rest, SC 29690

Model No.  
**B-0441**

Item No.

Travelers Rest, SC: 800-476-4103 • Simi Valley, CA: 800-423-0150 • Fax: 864-834-3518 • www.tsbrass.com

This Space for Architect/Engineer Approval

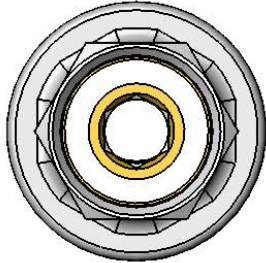
Job Name \_\_\_\_\_ Date \_\_\_\_\_

Model Specified \_\_\_\_\_ Quantity \_\_\_\_\_

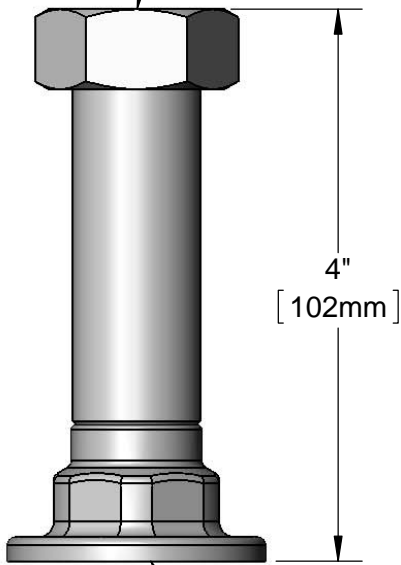
Customer/Wholesaler \_\_\_\_\_

Contractor \_\_\_\_\_

Architect/Engineer \_\_\_\_\_



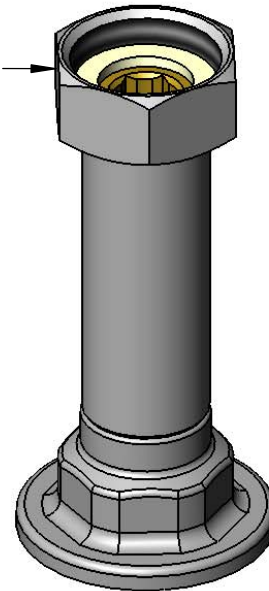
Faucet Flange Coupling  
 Nut Fits Standard T&S  
 Faucet Bodies.



4"  
 [102mm]

Ø2"  
 [51mm]  
 Flanges w/  
 1/2" NPT  
 Female Inlets

Washer  
 (Included)



**Note:**

Adds 2 3/4" [70mm] Length to Standard 00AA Inlet

Product Specifications:  
 4" Faucet Inlet Extension, 1/2" NPT Female Inlet

Product Compliance:  
 ASME A112.18.1 / CSA B125.1  
 NSF 61 - Section 9  
 NSF 372 (Low Lead Content)