



T&S BRASS AND BRONZE WORKS, INC.

2 Saddleback Cove / P.O. Box 1088
Travelers Rest, SC 29690

Model No.

B-0412-F Series

Item No.

Travelers Rest, SC: 800-476-4103 • Simi Valley, CA: 800-423-0150 • Fax: 864-834-3518 • www.tsbrass.com

This Space for Architect/Engineer Approval

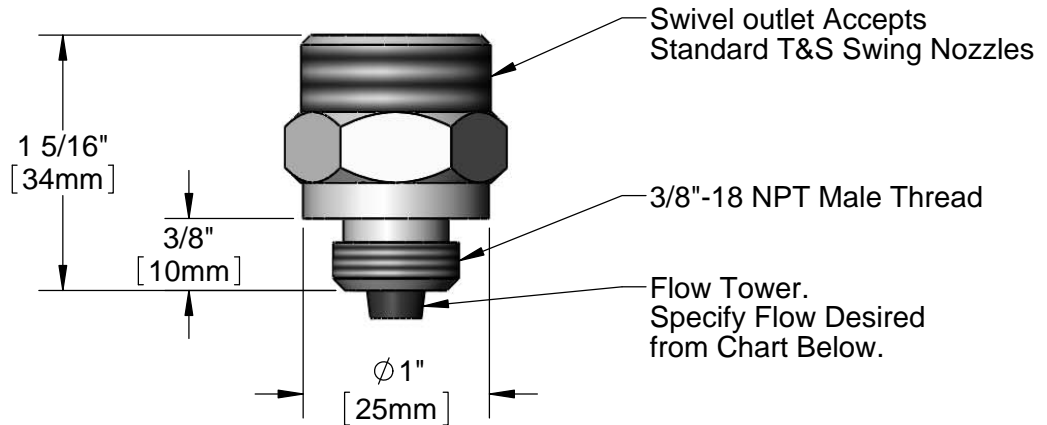
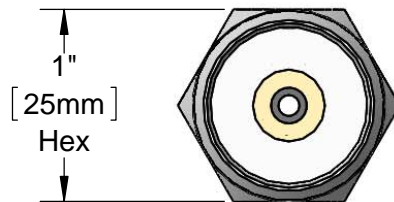
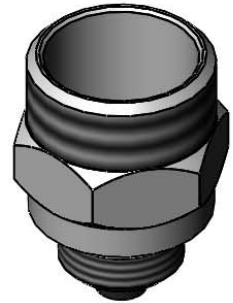
Job Name _____ Date _____

Model Specified _____ Quantity _____

Customer/Wholesaler _____

Contractor _____

Architect/Engineer _____



MODEL NO.	FLOW RATE	LASER MARKING	PREVIOUS COLOR
B-0412-F03	0.25 GPM	025	NO DOT
B-0412-F05	0.4 GPM	040	BROWN
B-0412-F07	0.7 GPM	070	GREEN
B-0412-F10	0.9 GPM	090	GRAY
B-0412-F12	1.2 GPM	120	ORANGE
B-0412-F15	1.4 GPM	140	PURPLE
B-0412-F16	1.6 GPM	160	RED
B-0412-F20	2.0 GPM	200	YELLOW

Product Specifications:
Rigid-to-Swivel Adapter Piece with Flow Tower

Drawn DMH	Checked DHL	Approved JHB
Scale: 1:1		Date: 10/18/12