



T&S BRASS AND BRONZE WORKS, INC.
 2 Saddleback Cove / P.O. Box 1088
 Travelers Rest, SC 29690

Model No.
B-0411-F Series

Item No.

Travelers Rest, SC: 800-476-4103 • Simi Valley, CA: 800-423-0150 • Fax: 864-834-3518 • www.tsbrass.com

This Space for Architect/Engineer Approval

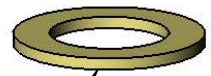
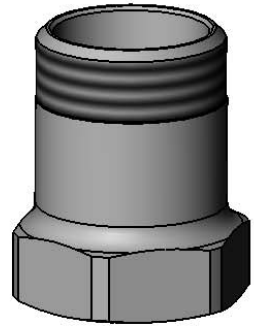
Job Name _____ Date _____

Model Specified _____ Quantity _____

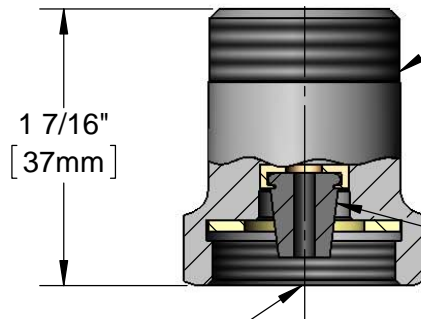
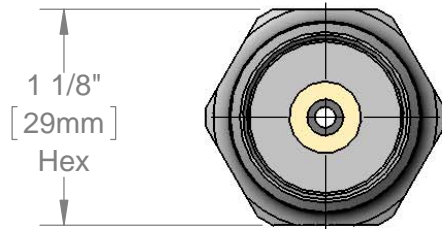
Customer/Wholesaler _____

Contractor _____

Architect/Engineer _____



Washer (Included)



Swivel Outlet Accepts Standard T&S Swing Nozzles

Flow Tower. Specify Flow Desired from Chart Below.

1-20 UN Female Inlet Fits on Standard T&S Swivel Outlets

MODEL NO.	FLOW RATE	LASER MARKING	PREVIOUS COLOR
B-0411-F03	0.25 GPM	025	NO DOT
B-0411-F05	0.4 GPM	040	BROWN
B-0411-F07	0.7 GPM	070	GREEN
B-0411-F10	0.9 GPM	090	GRAY
B-0411-F12	1.2 GPM	120	ORANGE
B-0411-F15	1.4 GPM	140	PURPLE
B-0411-F16	1.6 GPM	160	RED
B-0411-F20	2.0 GPM	200	YELLOW

Product Specifications:
Swivel-to-Swivel Adapter with Flow Tower

Product Compliance:
 ASME A112.18.1 / CSA B125.1
 NSF 61 - Section 9
 NSF 372 (Low Lead Content)