



# T&S BRASS AND BRONZE WORKS, INC.

2 Saddleback Cove / P.O. Box 1088  
Travelers Rest, SC 29690

Model No.

**B-0363**

Item No.

Travelers Rest, SC: 800-476-4103 • Simi Valley, CA: 800-423-0150 • Fax: 864-834-3518 • www.tsbrass.com



**ADA Compliant**

This Space for Architect/Engineer Approval

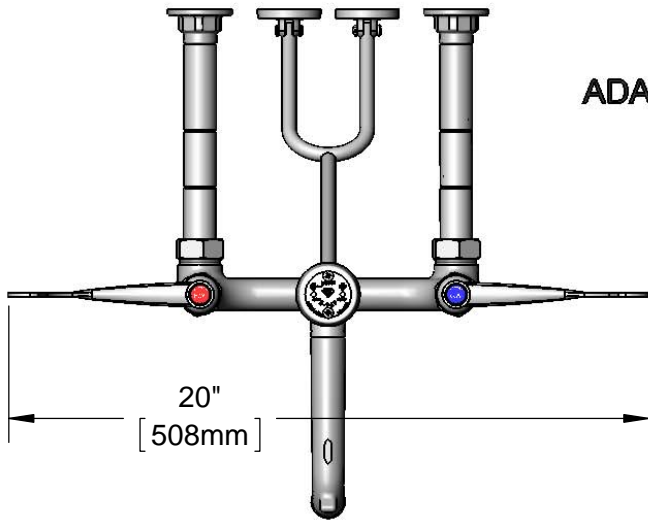
Job Name \_\_\_\_\_ Date \_\_\_\_\_

Model Specified \_\_\_\_\_ Quantity \_\_\_\_\_

Customer/Wholesaler \_\_\_\_\_

Contractor \_\_\_\_\_

Architect/Engineer \_\_\_\_\_

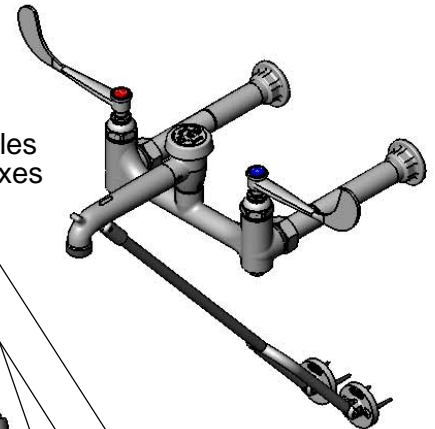


20"  
[508mm]



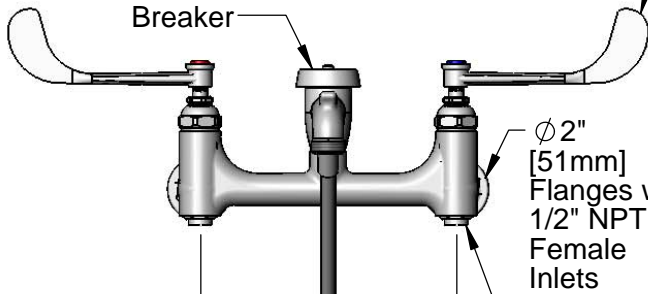
B-0969  
1/2" NPT  
Vacuum  
Breaker

Eterna Cartridges w/  
Spring Checks &  
6" Wrist Action Handles  
w/ Color Coded Indexes

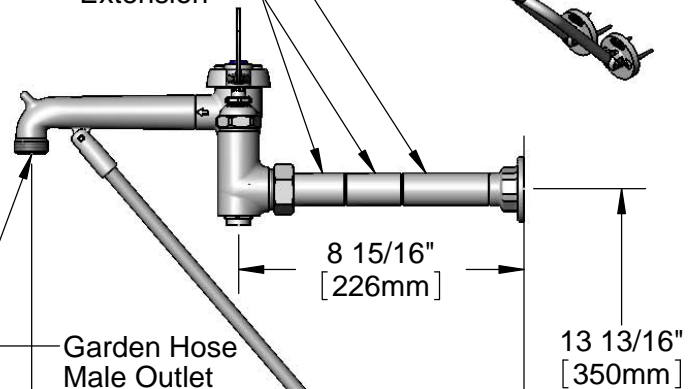


000610-25  
Extension

000611-25  
Extension



Ø2"  
[51mm]  
Flanges w/  
1/2" NPT  
Female  
Inlets



Garden Hose  
Male Outlet

8 15/16"  
[226mm]

13 13/16"  
[350mm]

2 7/16"  
[62mm]

Built-In  
Screwdriver  
Service  
Stops

Lower Wall Brace  
w/ Wall Bracket &  
Mounting Screws

Mounting Surface

15 3/8"  
[391mm]

8"

[203mm]  
Adjustable from  
7 3/4" to 8 1/4"  
[197mm to 210mm]

**Product Specifications:**

8" Service Sink w/ Pail Hook, Quarter-Turn Eterna Cartridges w/ Spring Checks, 6" Wrist Action Handles, 1/2" NPT Vacuum Breaker, Garden Hose Male Outlet, Built-In Service Stops, Lower Wall Brace & 1/2" NPT Female Inlets w/ Extensions

**Product Compliance:**

ASME A112.18.1 / CSA B125.1  
NSF 61 - Section 9  
NSF 372 (Low Lead Content)  
ANSI A117.1 (ADA)  
ASSE 1001 (VB)

Drawn: JBC

Checked: JRM

Approved: JHB

Date: 06/22/16

Scale: 1:6

Sheet: 1 of 2



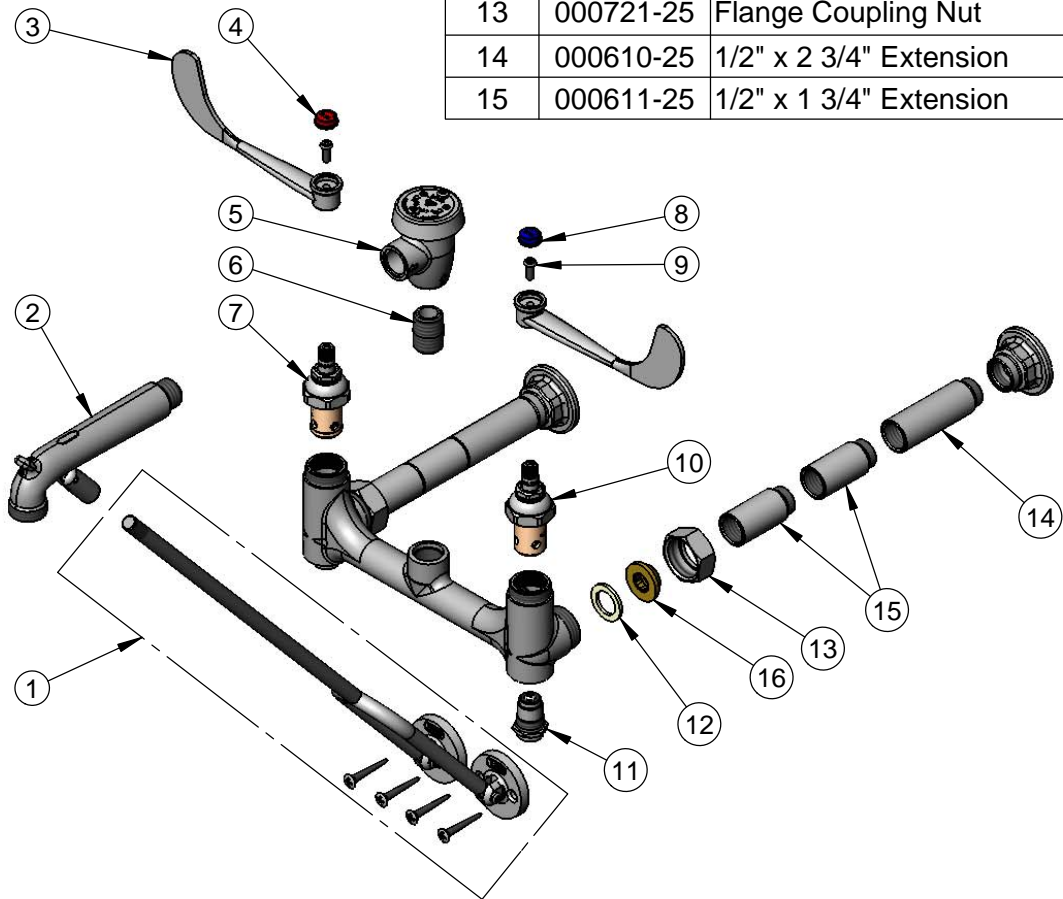
**T&S BRASS AND BRONZE WORKS, INC.**  
 2 Saddleback Cove / P.O. Box 1088  
 Travelers Rest, SC 29690

Model No.  
**B-0363**

Item No.

Travelers Rest, SC: 800-476-4103 • Simi Valley, CA: 800-423-0150 • Fax: 864-834-3518 • www.tsbrass.com

ITEM NO.	SALES NO.	DESCRIPTION
1	015476-40	Lower Wall Support w/ Mounting Screws
2	016450-40	Spout, Polished Chrome w/ Bottom Support Clevis
3	B-WH6	6" Wrist Action Handle
4	001194-45	Red Index - HW
5	B-0969	1/2" NPT Vacuum Breaker
6	002534-25	Close Nipple, 1/2" NPT
7	012443-40	Eterna Cartridge, RTC w/ Spring Check
8	001686-45	Blue Index - CW
9	000925-45	Lab Handle Screw
10	012442-40	Eterna Cartridge, LTC w/ Spring Check
11	163A	Built-In Service Stop
12	001019-45	Coupling Nut Washer
13	000721-25	Flange Coupling Nut
14	000610-25	1/2" x 2 3/4" Extension
15	000611-25	1/2" x 1 3/4" Extension



**Product Specifications:**  
 8" Service Sink w/ Pail Hook, Quarter-Turn Eterna Cartridges w/ Spring Checks, 6" Wrist Action Handles, 1/2" NPT Vacuum Breaker, Garden Hose Male Outlet, Built-In Service Stops, Lower Wall Brace & 1/2" NPT Female Inlets w/ Extensions

**Product Compliance:**  
 ASME A112.18.1 / CSA B125.1  
 NSF 61 - Section 9  
 NSF 372 (Low Lead Content)  
 ANSI A117.1 (ADA)  
 ASSE 1001 (VB)