



# T&S BRASS AND BRONZE WORKS, INC.

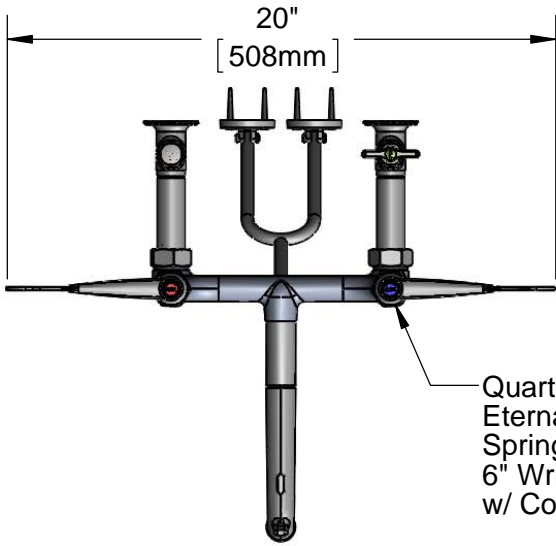
2 Saddleback Cove / P.O. Box 1088  
Travelers Rest, SC 29690

Model No.

**B-0362**

Item No.

Travelers Rest, SC: 800-476-4103 • Simi Valley, CA: 800-423-0150 • Fax: 864-834-3518 • www.tsbrass.com



This Space for Architect/Engineer Approval

Job Name \_\_\_\_\_ Date \_\_\_\_\_

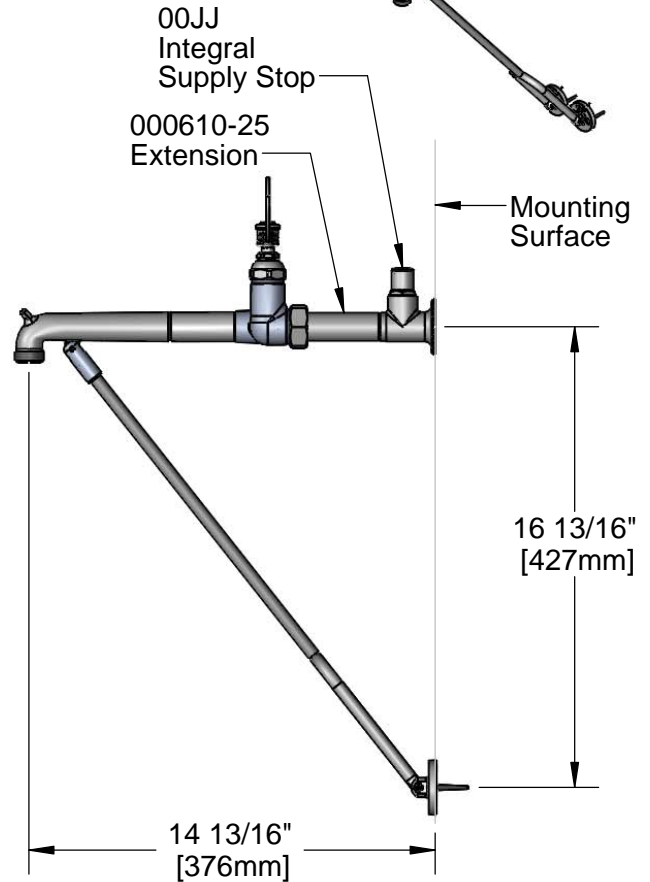
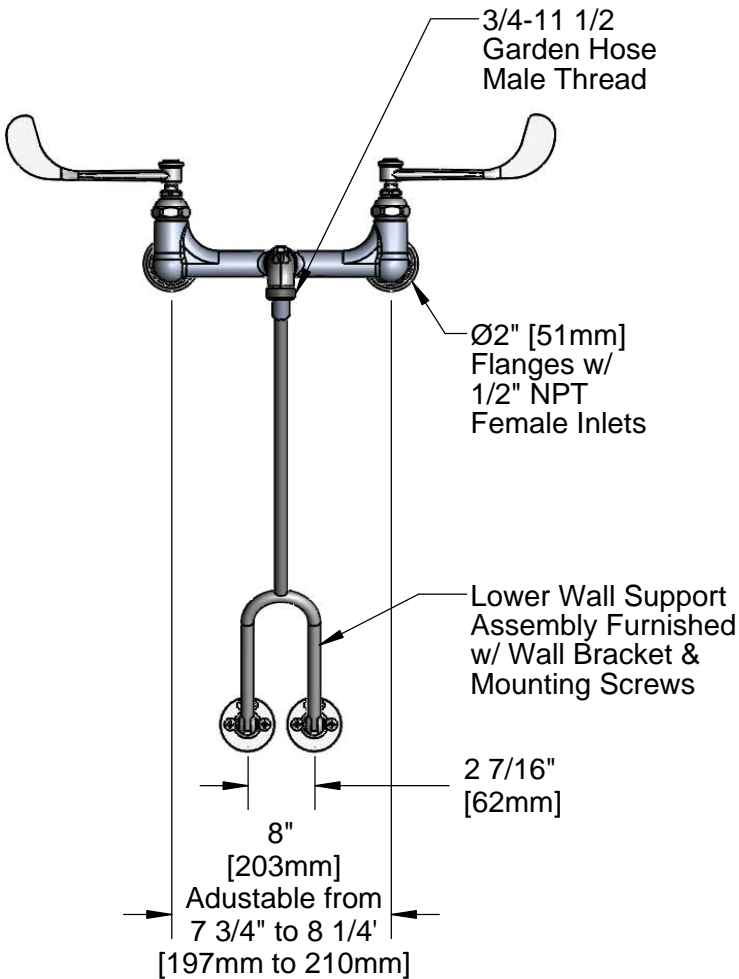
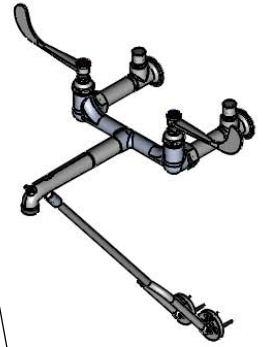
Model Specified \_\_\_\_\_ Quantity \_\_\_\_\_

Customer/Wholesaler \_\_\_\_\_

Contractor \_\_\_\_\_

Architect/Engineer \_\_\_\_\_

Quarter-Turn Eterna Cartridges w/ Spring Checks & 6" Wrist Action Handles w/ Color Coded Indexes



**Product Specifications:**  
8" Centers Service Sink w/ Spout, Lower Wall Support, 6" Wrist Action Handles, 1/2" Female Inlets w/ Integral Stops & Extensions

**Product Compliance:**  
ASME A112.18.1 / CSA B125.1  
NSF 61 - Section 9  
NSF 372 (Low Lead Content)  
ANSI A117.1 (ADA)



# T&S BRASS AND BRONZE WORKS, INC.

2 Saddleback Cove / P.O. Box 1088  
Travelers Rest, SC 29690

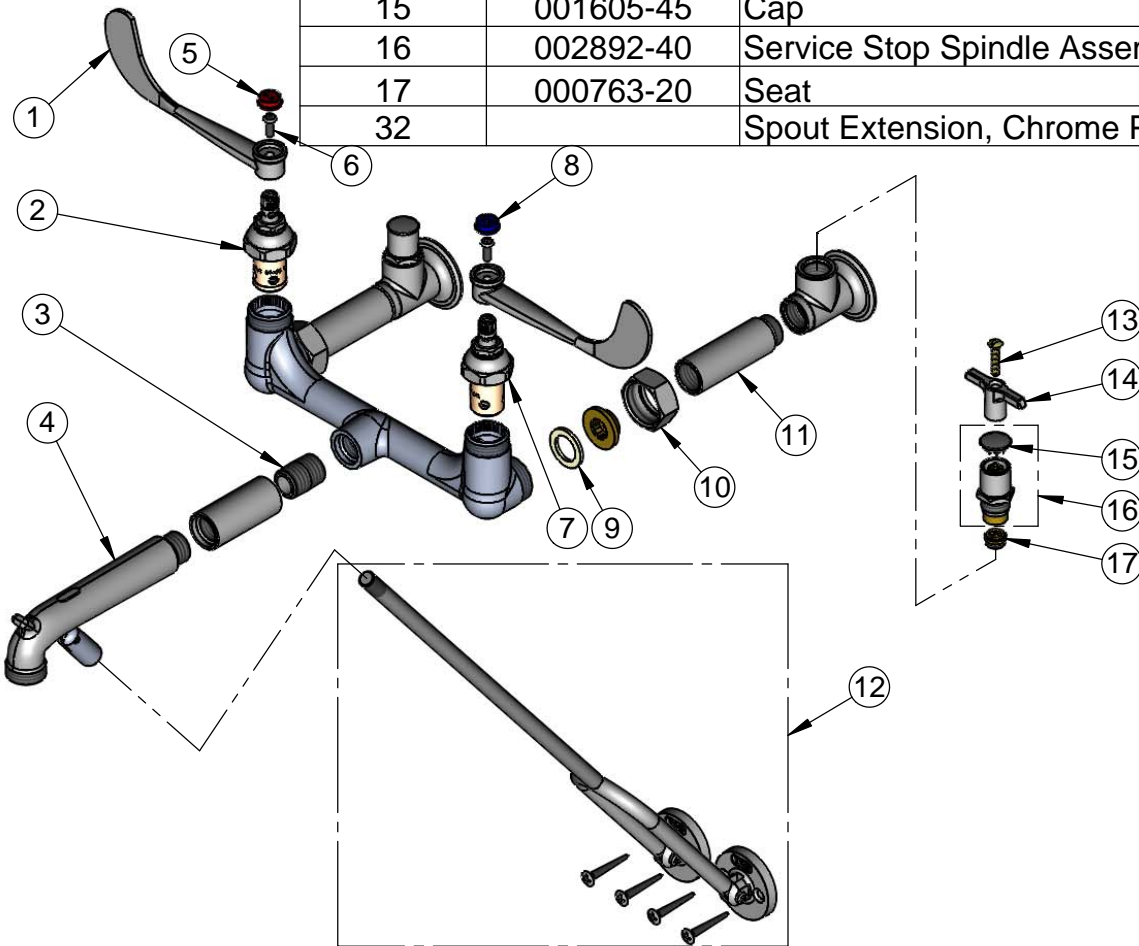
Model No.

**B-0362**

Item No.

Travelers Rest, SC: 800-476-4103 • Simi Valley, CA: 800-423-0150 • Fax: 864-834-3518 • www.tsbrass.com

ITEM NO.	SALES NO.	DESCRIPTION
1	B-WH6	6" Wrist Action Handle
2	012443-40	Eterna Cartridge, RTC w/ Spring Check
3	002534-25	Close Nipple, 1/2" NPT
4	016450-40	Spout Assembly, Polish Chrome w/ Bottom Support
5	001194-45	Red Index - HW
6	000925-45	Lab Handle Screw </td
7	012442-40	Eterna Cartridge, LTC w/ Spring Check
8	001686-45	Blue Index - CW
9	001019-45	Coupling Nut Washer
10	000721-25	Flange Coupling Nut
11	000610-25	Extension, 2 3/4" Long
12	015476-40	Lower Support Rod Assembly w/ Mounting Screws
13	002432-45	Screw, Tee Handle
14	001802-45	Handle, Supply Stop "T"
15	001605-45	Cap
16	002892-40	Service Stop Spindle Assembly w/ Cap
17	000763-20	Seat
32		Spout Extension, Chrome Polished



**Product Specifications:**

8" Centers Service Sink w/ Spout, Lower Wall Support, 6" Wrist Action Handles, 1/2" Female Inlets w/ Integral Stops & Extensions

**Product Compliance:**

ASME A112.18.1 / CSA B125.1  
NSF 61 - Section 9  
NSF 372 (Low Lead Content)  
ANSI A117.1 (ADA)