



T&S BRASS AND BRONZE WORKS, INC.

2 Saddleback Cove / P.O. Box 1088
Travelers Rest, SC 29690

Model No.

B-0357

Item No.

Travelers Rest, SC: 800-476-4103 • Simi Valley, CA: 800-423-0150 • Fax: 864-834-3518 • www.tsbrass.com



ADA Compliant

This Space for Architect/Engineer Approval

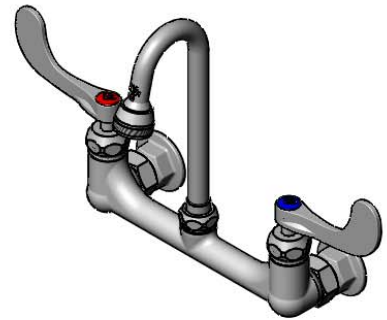
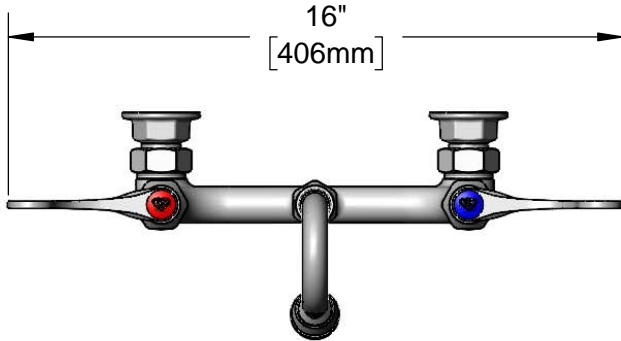
Job Name _____ Date _____

Model Specified _____ Quantity _____

Customer/Wholesaler _____

Contractor _____

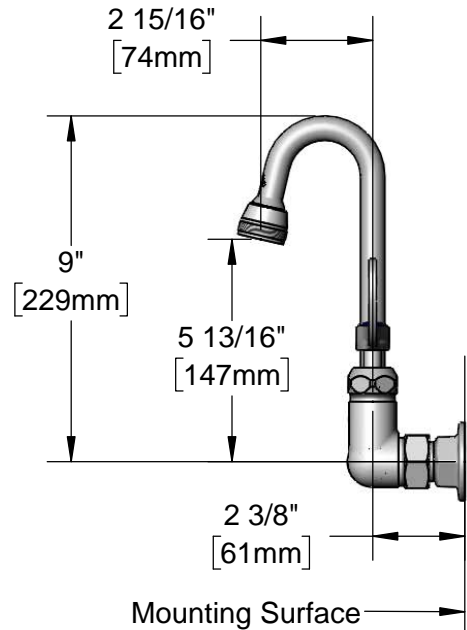
Architect/Engineer _____



Swivel/Rigid Gooseneck w/
B-0103-01 Rosespray Outlet.
Converts to Rigid w/ included
014200-45 Lock Washer

Quarter-Turn
Cerama Cartridges w/
Check Valves &
4" Wrist Action Handles
w/ Color Coded Indexes

2.2 GPM Flow
Regulator in
Swivel Piece



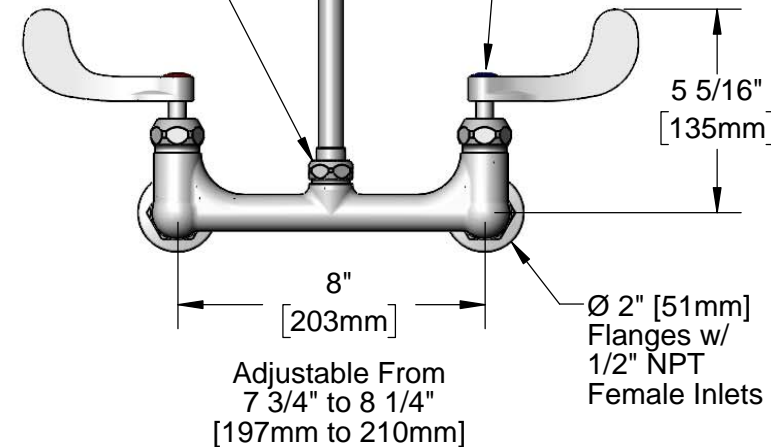
2 15/16"
[74mm]

9"
[229mm]

5 13/16"
[147mm]

2 3/8"
[61mm]

Mounting Surface



5 5/16"
[135mm]

8"
[203mm]

Adjustable From
7 3/4" to 8 1/4"
[197mm to 210mm]

Ø 2" [51mm]
Flanges w/
1/2" NPT
Female Inlets

Product Specifications:

8" Wall Mount Mixing Faucet, Quarter-Turn Cerama Cartridges w/ Check Valves, 4" Wrist Action Handles, 2 15/16" Swivel/Rigid Gooseneck w/ Rosespray Outlet, 2.2 GPM Flow Control & 1/2" NPT Female Inlets

Product Compliance:

ASME A112.18.1 / CSA B125.1
NSF 61 - Section 9
NSF 372 (Low Lead Content)
ANSI A117.1 (ADA)

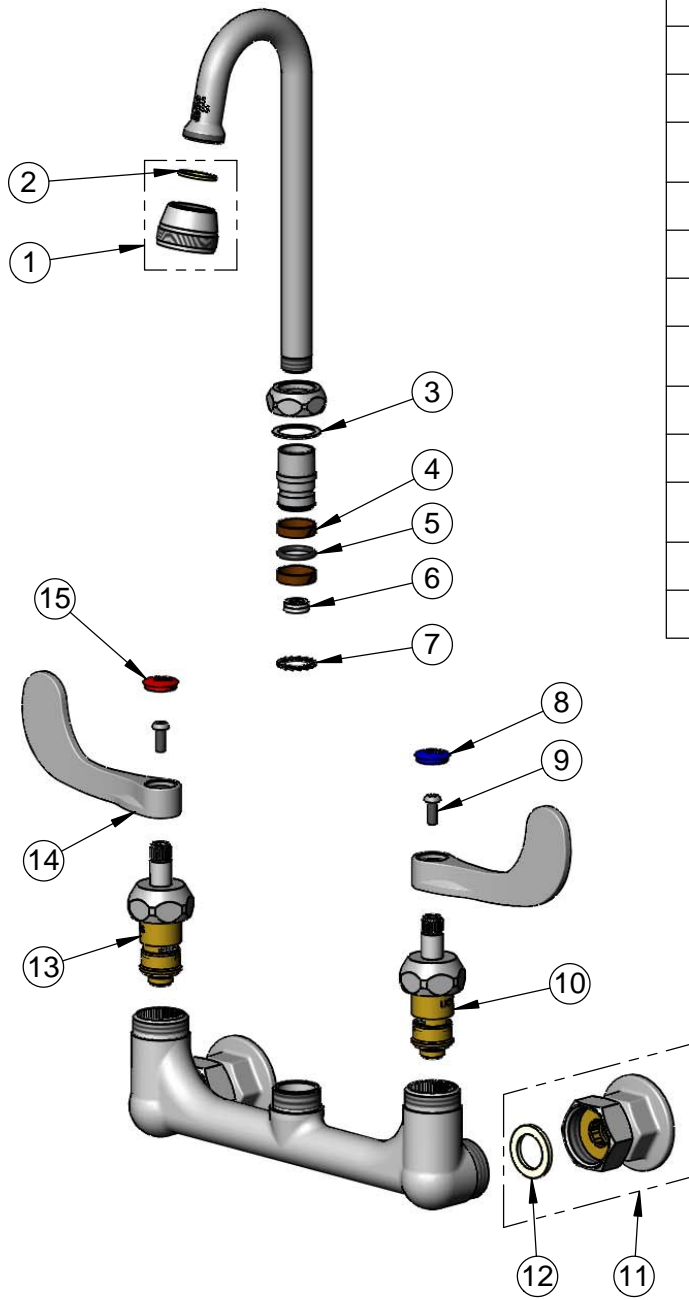


T&S BRASS AND BRONZE WORKS, INC.
 2 Saddleback Cove / P.O. Box 1088
 Travelers Rest, SC 29690

Model No.
B-0357

Item No.

Travelers Rest, SC: 800-476-4103 • Simi Valley, CA: 800-423-0150 • Fax: 864-834-3518 • www.tsbrass.com



ITEM NO.	SALES NO.	DESCRIPTION
1	B-0103-01	Rosespray Outlet, 55/64-27 Female
2	001048-45	Nozzle Tip Washer
3	009538-45	Swivel Washer
4	011429-45	Swivel Sleeves (2)
5	001074-45	O-ring
6	FD22	Flow Disc, 2.2 GPM [8.3 L/min.] - Yellow
7	014200-45	Star Washer, Anti-Rotation
8	018506-19NS	Blue Button Index, Press-in
9	000925-45	Lab Handle Screw
10	012395-25NS	Quarter-Turn Cerama Cartridge w/ Check Valve, LTC
11	00AA	1/2" NPT Female Eccentric Flange
12	001019-45	Coupling Nut Washer
13	012394-25NS	Quarter-Turn Cerama Cartridge w/ Check Valve, RTC
14	B-WH4-NS	Wrist Action Handle (New Style)
15	001193-19NS	Red Button Index, Press-in

Product Specifications:
 8" Wall Mount Mixing Faucet, Quarter-Turn Cerama Cartridges w/ Check Valves, 4" Wrist Action Handles, 2 15/16" Swivel/Rigid Gooseneck w/ Rosespray Outlet, 2.2 GPM Flow Control & 1/2" NPT Female Inlets

Product Compliance:
 ASME A112.18.1 / CSA B125.1
 NSF 61 - Section 9
 NSF 372 (Low Lead Content)
 ANSI A117.1 (ADA)