



T&S BRASS AND BRONZE WORKS, INC.

2 Saddleback Cove / P.O. Box 1088
Travelers Rest, SC 29690

Model No.

B-0353

Item No.

Travelers Rest, SC: 800-476-4103 • Simi Valley, CA: 800-423-0150 • Fax: 864-834-3518 • www.tsbrass.com



ADA Compliant

This Space for Architect/Engineer Approval

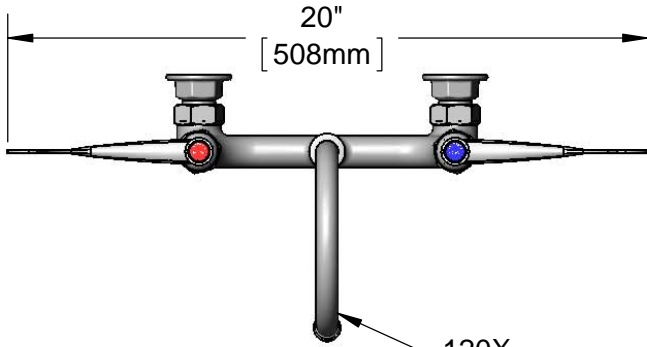
Job Name _____ Date _____

Model Specified _____ Quantity _____

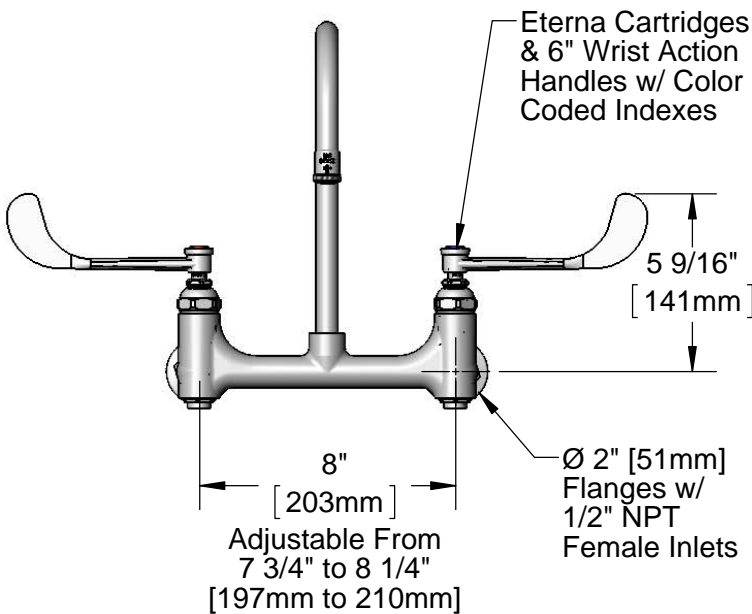
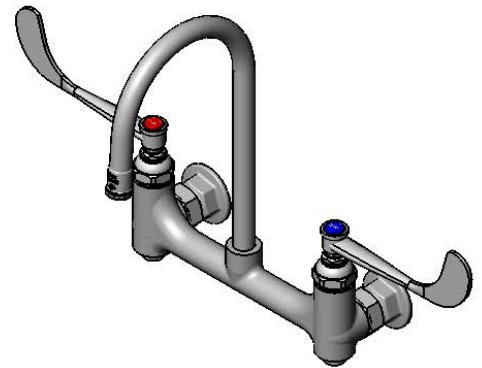
Customer/Wholesaler _____

Contractor _____

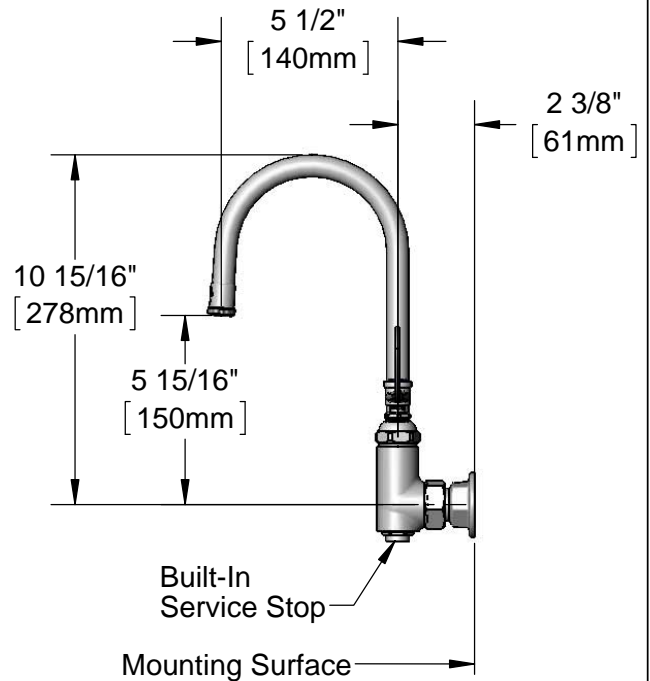
Architect/Engineer _____



120X
Rigid Gooseneck w/
Stream Regulator Outlet



Eterna Cartridges
& 6" Wrist Action
Handles w/ Color
Coded Indexes



Built-In
Service Stop
Mounting Surface

Product Specifications:

8" Wall Mount Mixing Faucet, Eterna Cartridges, 6" Wrist Action Handles, 5 1/2" Rigid Gooseneck w/ Stream Regulator Outlet & 1/2" NPT Female Inlets w/ Built-In Service Stops

Product Compliance:

ASME A112.18.1 / CSA B125.1
NSF 61 - Section 9
NSF 372 (Low Lead Content)
ANSI A117.1 (ADA)



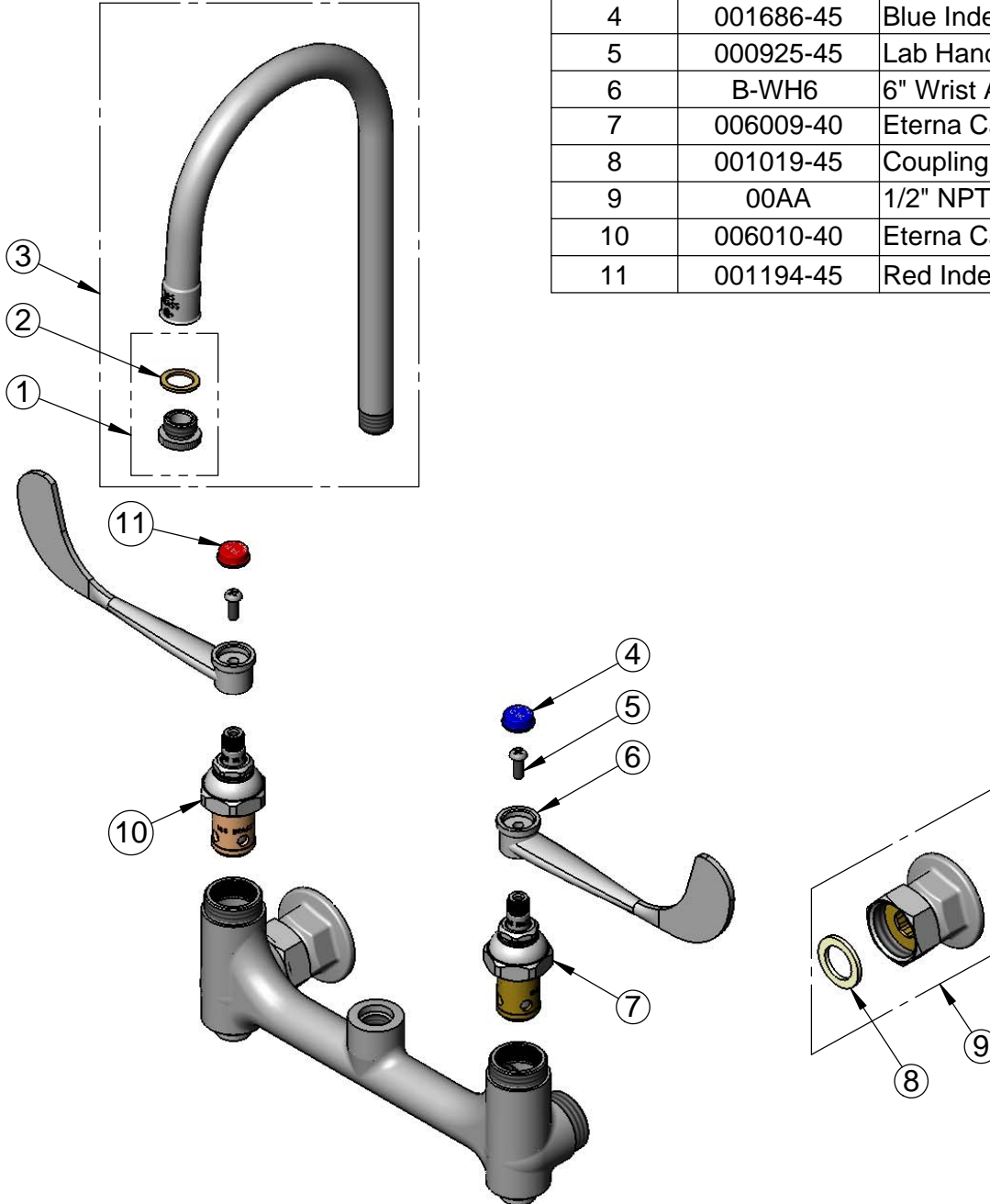
T&S BRASS AND BRONZE WORKS, INC.
 2 Saddleback Cove / P.O. Box 1088
 Travelers Rest, SC 29690

Model No.
B-0353

Item No.

Travelers Rest, SC: 800-476-4103 • Simi Valley, CA: 800-423-0150 • Fax: 864-834-3518 • www.tsbrass.com

ITEM NO.	SALES NO.	DESCRIPTION
1	B-LT	Stream Regulator Outlet
2	001043-45	Washer
3	120X	Rigid Gooseneck
4	001686-45	Blue Index - CW
5	000925-45	Lab Handle Screw </td
6	B-WH6	6" Wrist Action Handle
7	006009-40	Eterna Cartridge, LTC (Teflon)
8	001019-45	Coupling Nut Washer
9	00AA	1/2" NPT Female Eccentric Flange
10	006010-40	Eterna Cartridge, RTC (Teflon)
11	001194-45	Red Index - HW



Product Specifications:
 8" Wall Mount Mixing Faucet, Eterna Cartridges, 6" Wrist Action Handles, 5 1/2" Rigid Gooseneck w/ Stream Regulator Outlet & 1/2" NPT Female Inlets w/ Built-In Service Stops

Product Compliance:
 ASME A112.18.1 / CSA B125.1
 NSF 61 - Section 9
 NSF 372 (Low Lead Content)
 ANSI A117.1 (ADA)