



T&S BRASS AND BRONZE WORKS, INC.

2 Saddleback Cove / P.O. Box 1088
Travelers Rest, SC 29690

Model No.

B-0352

Item No.

Travelers Rest, SC: 800-476-4103 • Simi Valley, CA: 800-423-0150 • Fax: 864-834-3518 • www.tsbrass.com



ADA Compliant

This Space for Architect/Engineer Approval

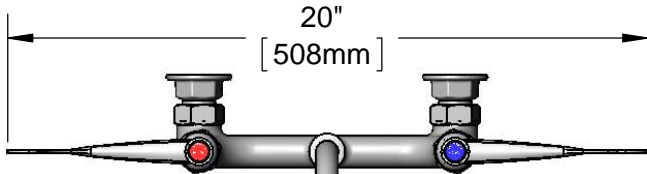
Job Name _____ Date _____

Model Specified _____ Quantity _____

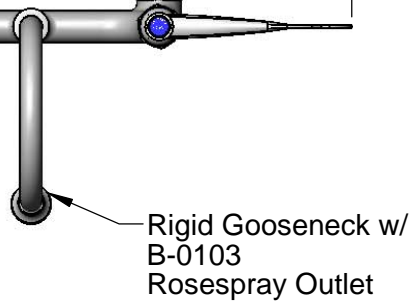
Customer/Wholesaler _____

Contractor _____

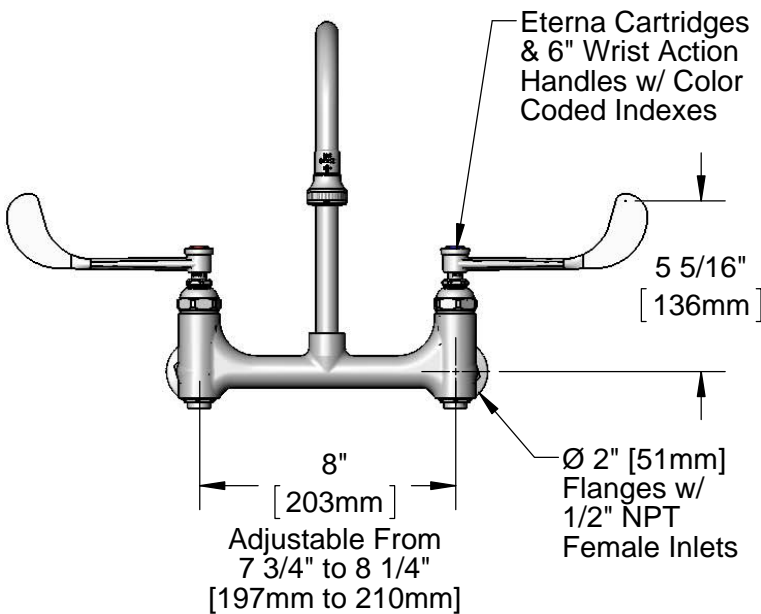
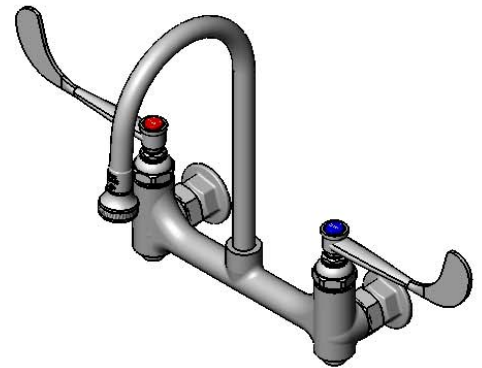
Architect/Engineer _____



20"
[508mm]



Rigid Gooseneck w/
B-0103
Rosespray Outlet

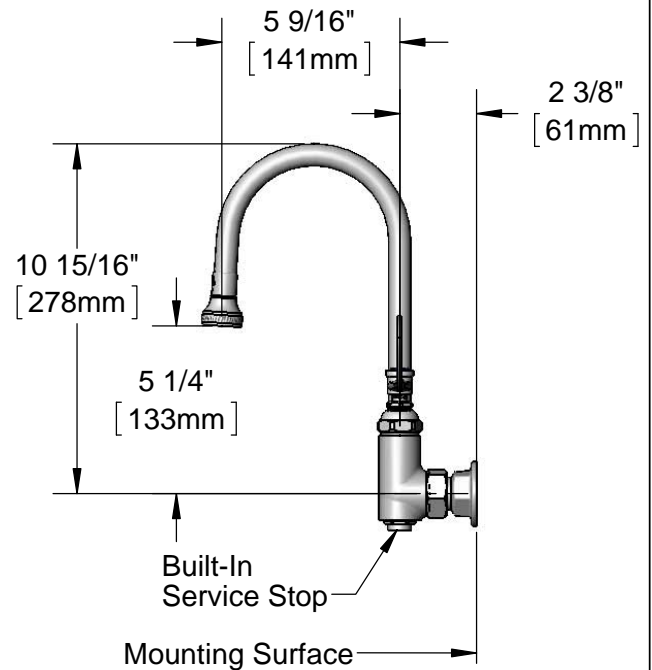


Eterna Cartridges
& 6" Wrist Action
Handles w/ Color
Coded Indexes

5 5/16"
[136mm]

8"
[203mm]
Adjustable From
7 3/4" to 8 1/4"
[197mm to 210mm]

Ø 2" [51mm]
Flanges w/
1/2" NPT
Female Inlets



5 9/16"
[141mm]

2 3/8"
[61mm]

10 15/16"
[278mm]

5 1/4"
[133mm]

Built-In
Service Stop

Mounting Surface

Product Specifications:

8" Wall Mount Mixing Faucet, Eterna Cartridges, 6" Wrist Action Handles, 5 1/2" Rigid Gooseneck w/ Rosespray Outlet & 1/2" NPT Female Inlets w/ Built- In Service Stops

Product Compliance:

ASME A112.18.1 / CSA B125.1
NSF 61 - Section 9
NSF 372 (Low Lead Content)
ANSI A117.1 (ADA)



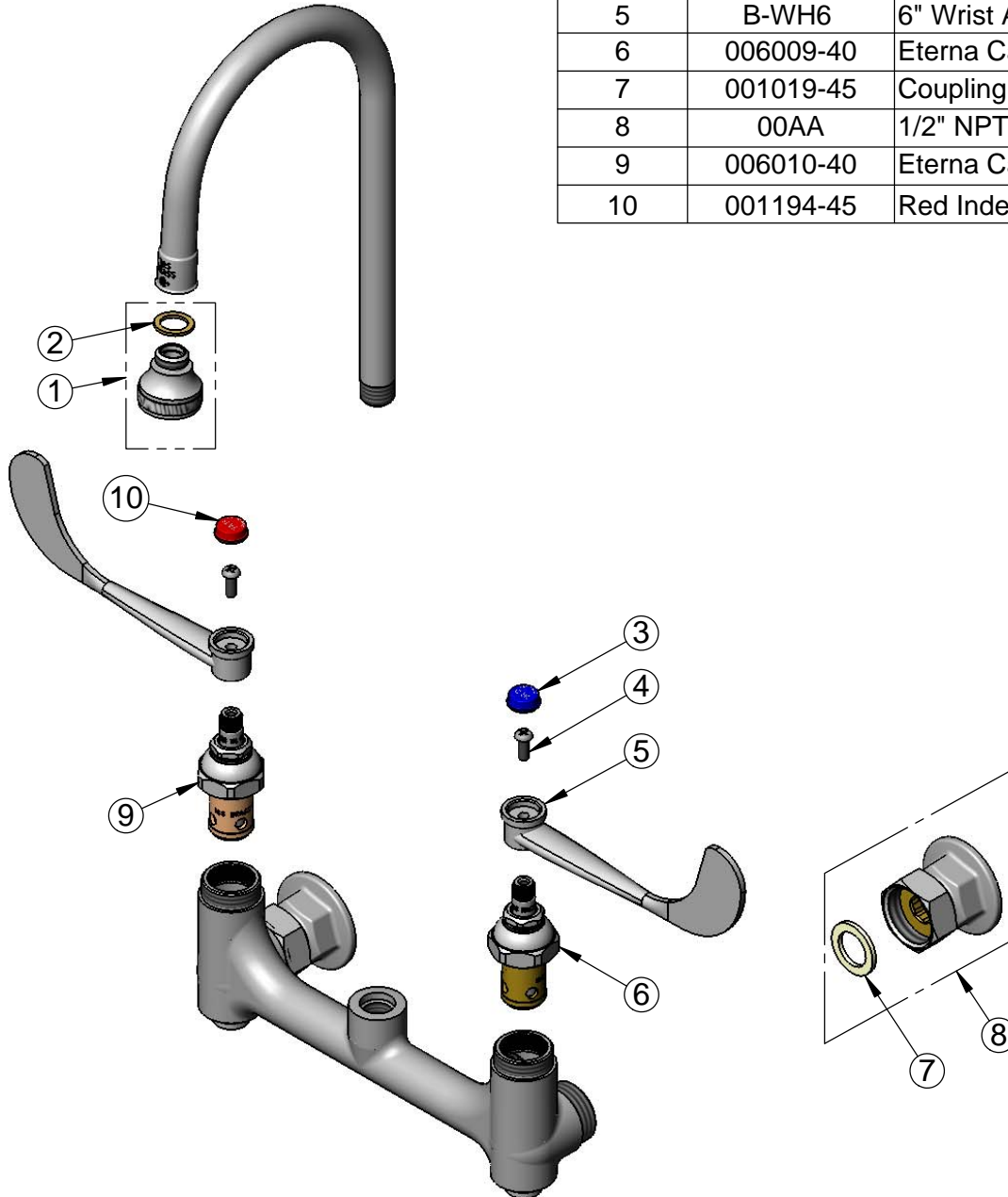
T&S BRASS AND BRONZE WORKS, INC.
 2 Saddleback Cove / P.O. Box 1088
 Travelers Rest, SC 29690

Model No.
B-0352

Item No.

Travelers Rest, SC: 800-476-4103 • Simi Valley, CA: 800-423-0150 • Fax: 864-834-3518 • www.tsbrass.com

| ITEM NO. | SALES NO. | DESCRIPTION |
|----------|-----------|----------------------------------|
| 1 | B-0103 | Rosespray Outlet, 3/8" NPSM Male |
| 2 | 001043-45 | Washer |
| 3 | 001686-45 | Blue Index - CW |
| 4 | 000925-45 | Lab Handle Screw |
| 5 | B-WH6 | 6" Wrist Action Handle |
| 6 | 006009-40 | Eterna Cartridge, LTC (Teflon) |
| 7 | 001019-45 | Coupling Nut Washer |
| 8 | 00AA | 1/2" NPT Female Eccentric Flange |
| 9 | 006010-40 | Eterna Cartridge, RTC (Teflon) |
| 10 | 001194-45 | Red Index - HW |



Product Specifications:
 8" Wall Mount Mixing Faucet, Eterna Cartridges, 6" Wrist Action Handles, 5 1/2" Rigid Gooseneck w/ Rosespray Outlet & 1/2" NPT Female Inlets w/ Built- In Service Stops

Product Compliance:
 ASME A112.18.1 / CSA B125.1
 NSF 61 - Section 9
 NSF 372 (Low Lead Content)
 ANSI A117.1 (ADA)