



T&S BRASS AND BRONZE WORKS, INC.
 2 Saddleback Cove / P.O. Box 1088
 Travelers Rest, SC 29690

Model No.
B-0345

Item No.

Travelers Rest, SC: 800-476-4103 • Simi Valley, CA: 800-423-0150 • Fax: 864-834-3518 • www.tsbrass.com



ADA Compliant

This Space for Architect/Engineer Approval

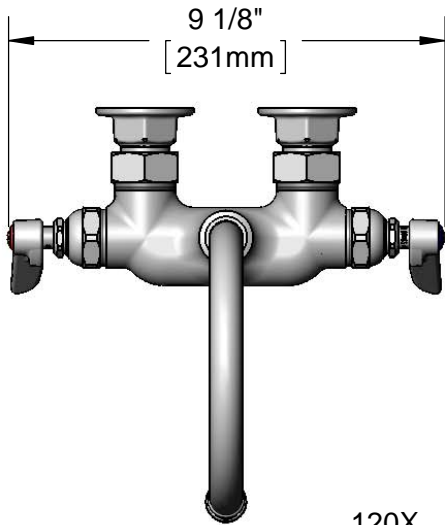
Job Name _____ Date _____

Model Specified _____ Quantity _____

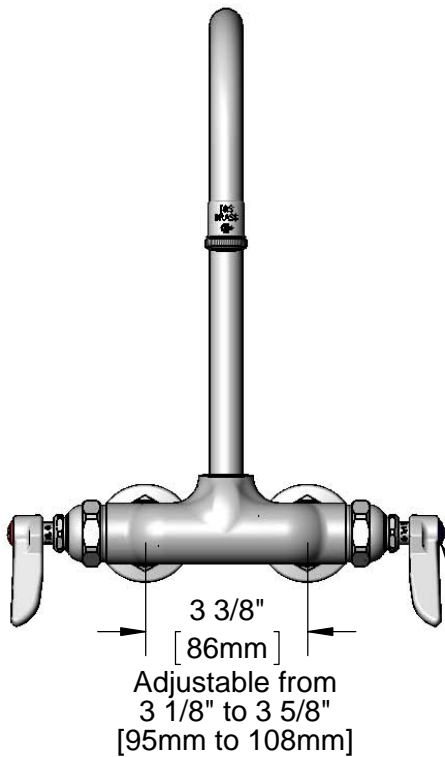
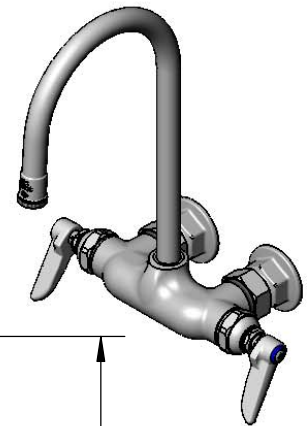
Customer/Wholesaler _____

Contractor _____

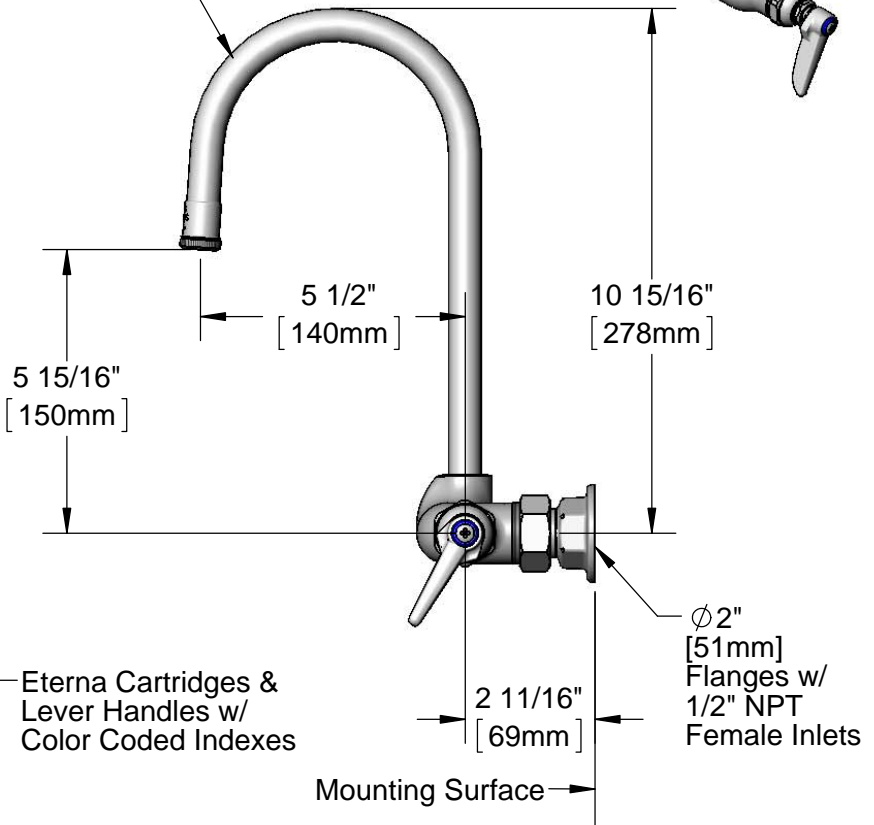
Architect/Engineer _____



120X
 Rigid Gooseneck w/
 Stream Regulator Outlet



Eterna Cartridges &
 Lever Handles w/
 Color Coded Indexes



Mounting Surface →

Product Specifications:
 3 3/8" Wall Mount Mixing Faucet, Eterna Cartridges, Lever Handles, Rigid Gooseneck w/ Stream Regulator Outlet & 1/2" NPT Female Inlets

Product Compliance:
 ASME A112.18.1 / CSA B125.1
 NSF 61 - Section 9
 NSF 372 (Low Lead Content)
 ANSI A117.1 (ADA)



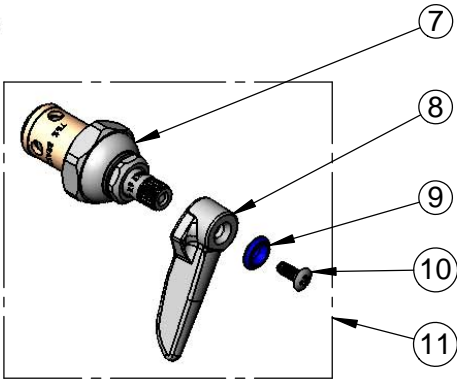
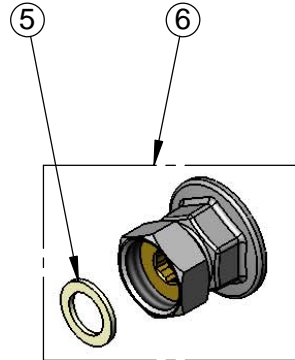
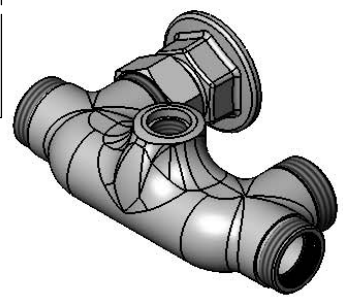
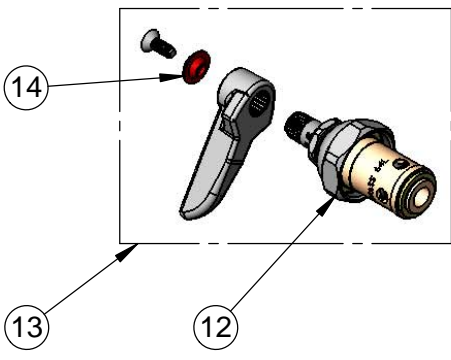
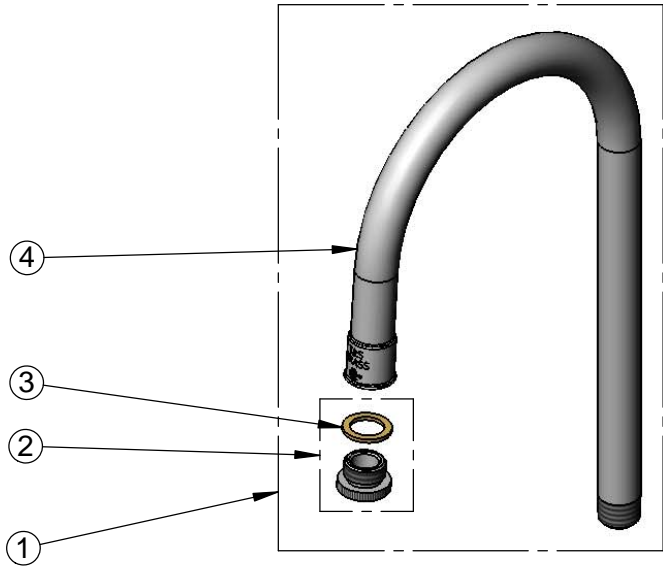
T&S BRASS AND BRONZE WORKS, INC.
 2 Saddleback Cove / P.O. Box 1088
 Travelers Rest, SC 29690

Model No.
B-0345

Item No.

Travelers Rest, SC: 800-476-4103 • Simi Valley, CA: 800-423-0150 • Fax: 864-834-3518 • www.tsbrass.com

ITEM NO.	SALES NO.	DESCRIPTION
1	120X	Rigid Gooseneck
2	B-LT	Stream Regulator Outlet
3	001043-45	Washer
4	000398-40	Rigid Gooseneck
5	001019-45	Coupling Nut Washer
6	00AA	1/2" NPT Female Eccentric Flange
7	005959-40	Eterna Cartridge, LTC
8	001638-45	Lever Handle
9	001660-45	Blue Index-CW
10	000922-45	Lever Handle Screw
11	002713-40	Eterna Cartridge, LTC w/ Handle, Index & Screw
12	005960-40	Eterna Cartridge, RTC
13	002714-40	Eterna Cartridge, RTC w/ Handle, Index & Screw
14	001661-45	Red Index-HW



Product Specifications:
 3 3/8" Wall Mount Mixing Faucet, Eterna Cartridges, Lever Handles, Rigid Gooseneck w/ Stream Regulator Outlet & 1/2" NPT Female Inlets

Product Compliance:
 ASME A112.18.1 / CSA B125.1
 NSF 61 - Section 9
 NSF 372 (Low Lead Content)
 ANSI A117.1 (ADA)