



# T&S BRASS AND BRONZE WORKS, INC.

2 Saddleback Cove / P.O. Box 1088  
Travelers Rest, SC 29690

Model No.

**B-0343**

Item No.

Travelers Rest, SC: 800-476-4103 • Simi Valley, CA: 800-423-0150 • Fax: 864-834-3518 • www.tsbrass.com

This Space for Architect/Engineer Approval

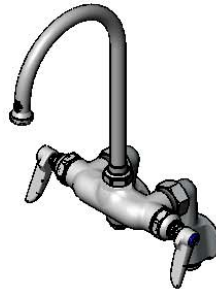
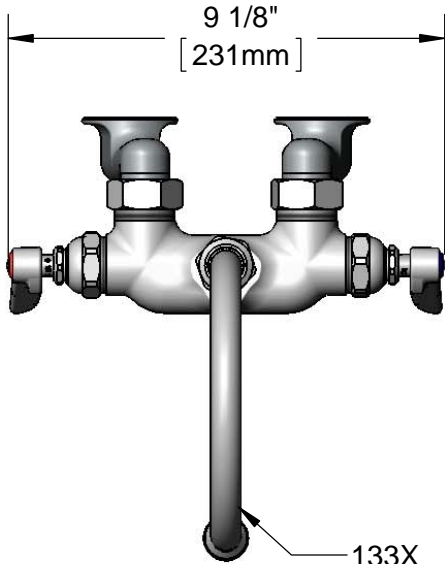
Job Name \_\_\_\_\_ Date \_\_\_\_\_

Model Specified \_\_\_\_\_ Quantity \_\_\_\_\_

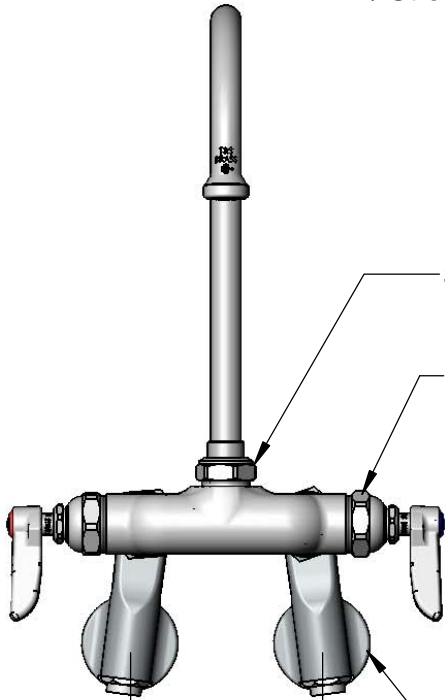
Customer/Wholesaler \_\_\_\_\_

Contractor \_\_\_\_\_

Architect/Engineer \_\_\_\_\_

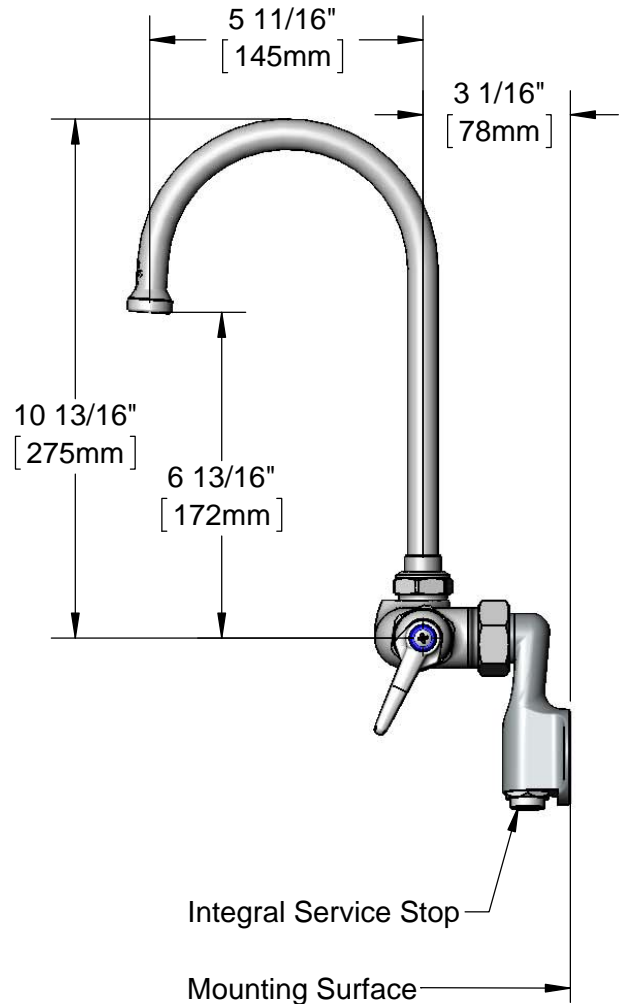


133X  
6" Swivel Gooseneck  
w/ Stream Regulator Outlet



Adjustable  
From  
2 1/4" to 8 1/4"  
[57mm to 210mm]  
Above or Below Centerline

Ø 2" [51mm]  
Wall Flanges w/  
1/2" NPT  
Female Inlets



### Product Specifications:

Adjustable Wall Mount Mixing Faucet, Eterna Cartridges, Lever Handles, 6" Swivel Gooseneck & 1/2" NPT Female Inlet Adjustable Wall Flanges w/ Integral Service Stops

### Product Compliance:

ASME A112.18.1 / CSA B125.1  
NSF 61 - Section 9  
NSF 372 (Low Lead Content)  
ANSI A117.1 (ADA)

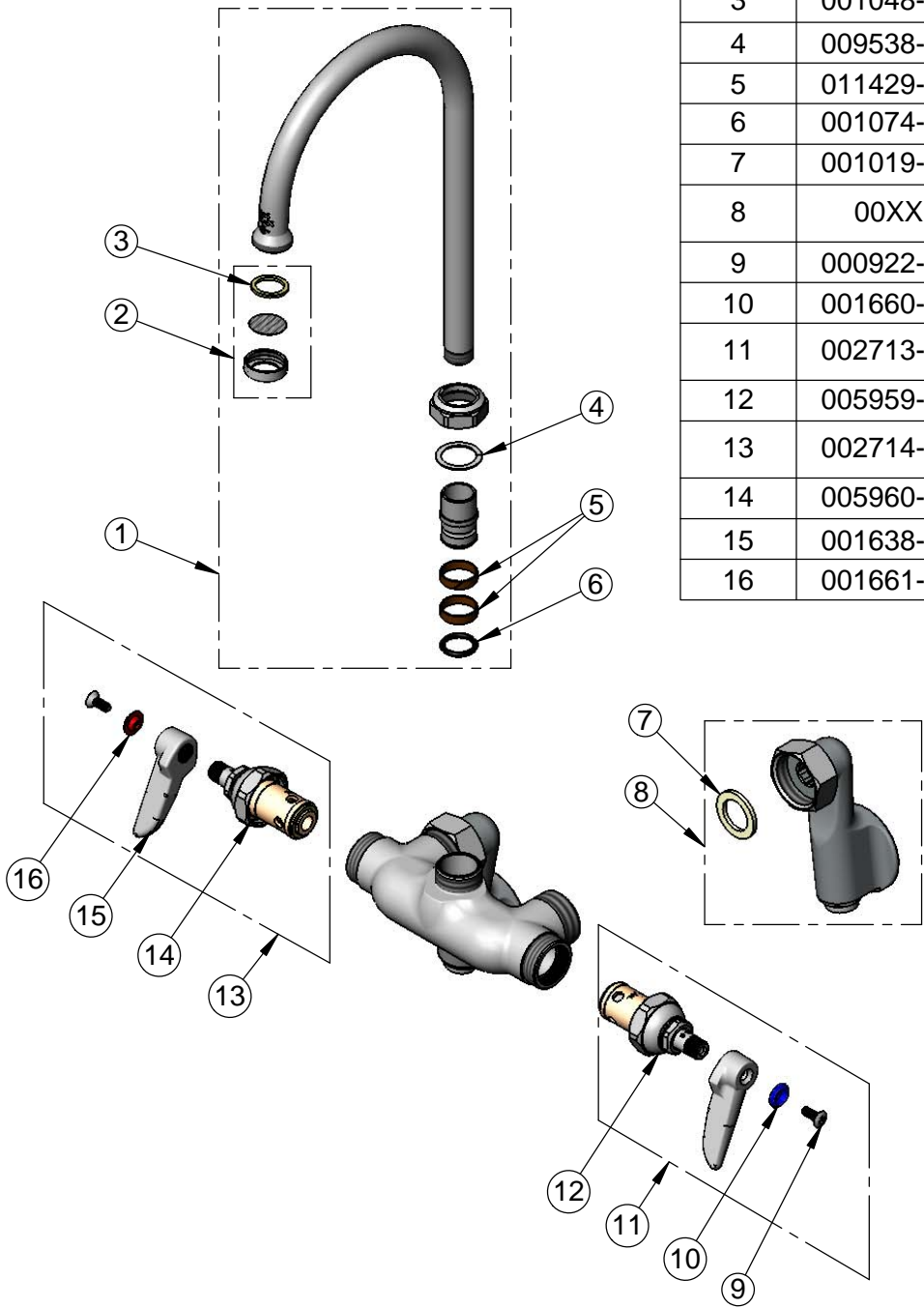


**T&S BRASS AND BRONZE WORKS, INC.**  
 2 Saddleback Cove / P.O. Box 1088  
 Travelers Rest, SC 29690

Model No.  
**B-0343**  
 Item No.

Travelers Rest, SC: 800-476-4103 • Simi Valley, CA: 800-423-0150 • Fax: 864-834-3518 • www.tsbrass.com

ITEM NO.	SALES NO.	DESCRIPTION
1	133X	Swivel Gooseneck
2	B-PT	Stream Regulator Outlet
3	001048-45	Nozzle Tip Washer
4	009538-45	Swivel Washer
5	011429-45	Swivel Sleeves (2)
6	001074-45	O-Ring
7	001019-45	Coupling Nut Washer
8	00XX	1/2" NPT Female Inlet Adjustable Wall Flange w/ Screwdriver Stop
9	000922-45	Lever Handle Screw
10	001660-45	Blue Index-CW
11	002713-40	Eterna Cartridge, LTC w/ Handle, Index & Screw
12	005959-40	Eterna Cartridge, LTC
13	002714-40	Eterna Cartridge, RTC w/ Handle, Index & Screw
14	005960-40	Eterna Cartridge, RTC
15	001638-45	Lever Handle
16	001661-45	Red Index-HW



**Product Specifications:**  
 Adjustable Wall Mount Mixing Faucet, Eterna Cartridges, Lever Handles, 6" Swivel Gooseneck & 1/2" NPT Female Inlet Adjustable Wall Flanges w/ Integral Service Stops

**Product Compliance:**  
 ASME A112.18.1 / CSA B125.1  
 NSF 61 - Section 9  
 NSF 372 (Low Lead Content)  
 ANSI A117.1 (ADA)