



# T&S BRASS AND BRONZE WORKS, INC.

2 Saddleback Cove / P.O. Box 1088  
Travelers Rest, SC 29690

Model No.

**B-0342CR-PRISON**

Item No.

Travelers Rest, SC: 800-476-4103 • Simi Valley, CA: 800-423-0150 • Fax: 864-834-3518 • www.tsbrass.com

This Space for Architect/Engineer Approval

Job Name \_\_\_\_\_ Date \_\_\_\_\_

Model Specified \_\_\_\_\_ Quantity \_\_\_\_\_

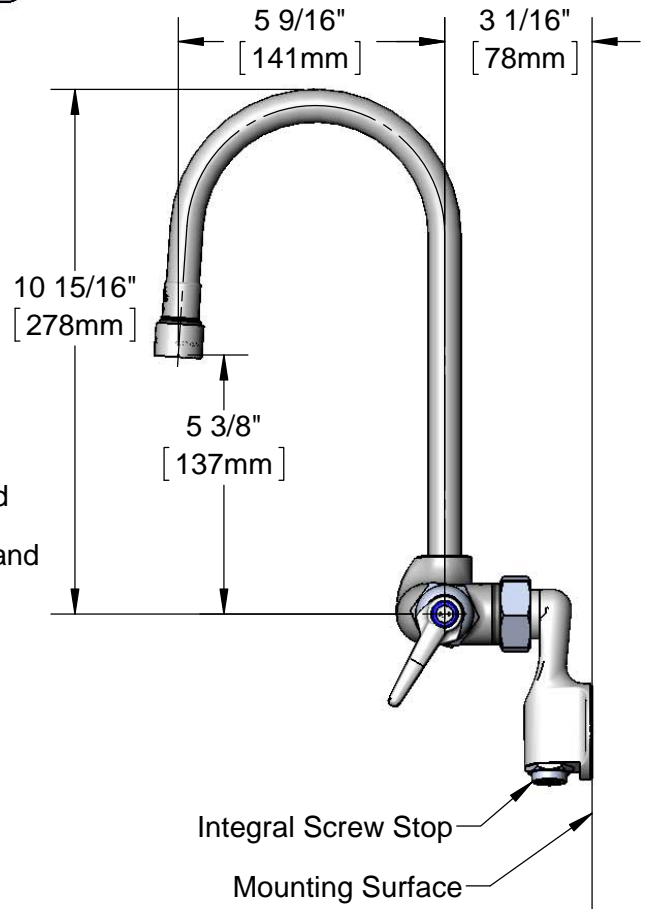
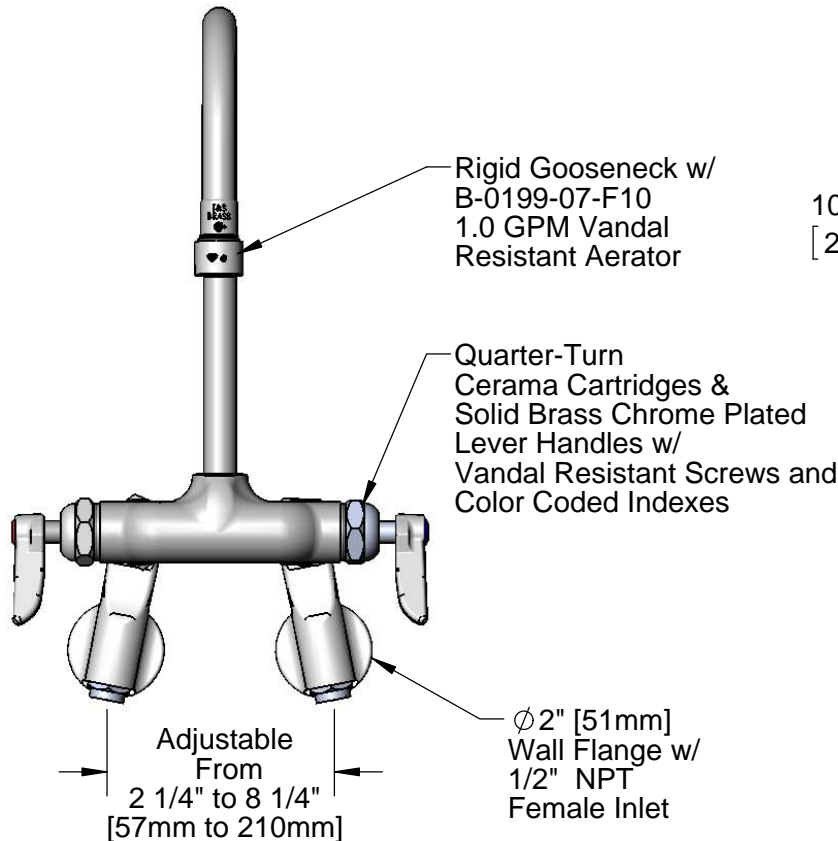
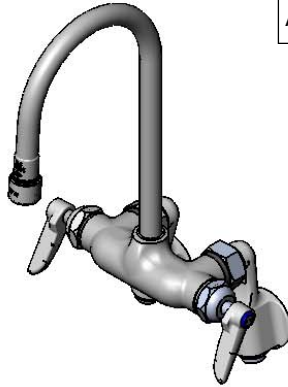
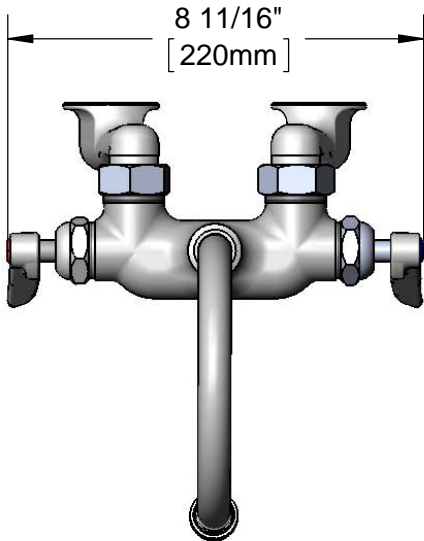
Customer/Wholesaler \_\_\_\_\_

Contractor \_\_\_\_\_

Architect/Engineer \_\_\_\_\_



**ADA Compliant**



**Product Specifications:**

Adjustable Wall Mount Mixing Faucet, Quarter-Turn Cerama Cartridges, Solid Brass Chrome Plated Lever Handles, 5 9/16" Rigid Gooseneck w/ 1.0 GPM Vandal Resistant Aerator & 1/2" NPT Adjustable Arm Female Inlets

**Product Compliance:**

ASME A112.18.1 / CSA B125.1  
NSF 61 - Section 9  
NSF 372 (Low Lead Content)  
ANSI A117.1 (ADA)



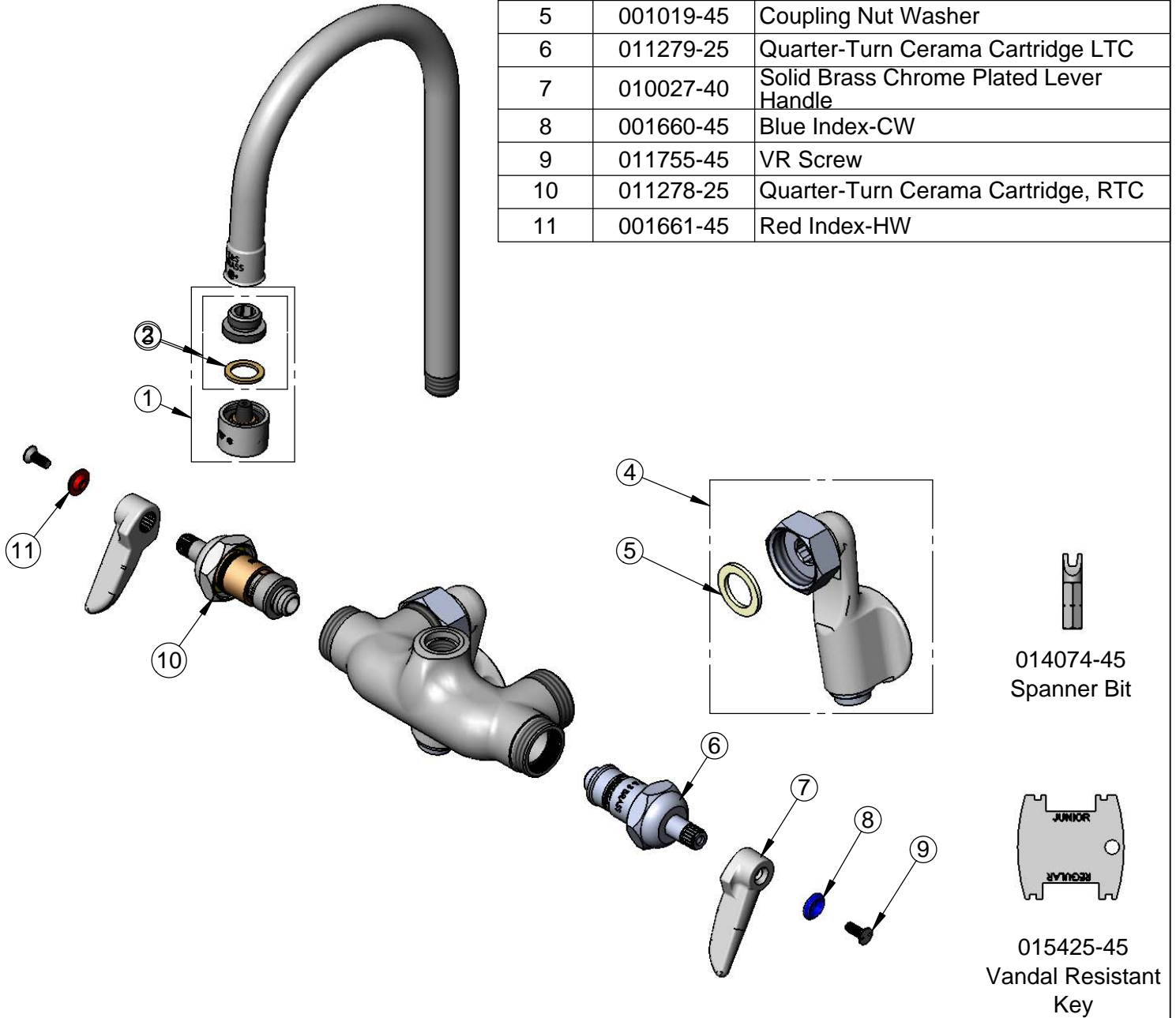
**T&S BRASS AND BRONZE WORKS, INC.**  
 2 Saddleback Cove / P.O. Box 1088  
 Travelers Rest, SC 29690

Model No.  
**B-0342CR-PRISON**

Item No.

Travelers Rest, SC: 800-476-4103 • Simi Valley, CA: 800-423-0150 • Fax: 864-834-3518 • www.tsbrass.com

ITEM NO.	SALES NO.	DESCRIPTION
1	B-0199-07-F10	1.0 GPM Vandal Resistant Aerator, 3/8-18 NPSM Male
2	044A	3/8" to Aerator Adapter
3	001043-45	Washer
4	00XX	1/2" NPT Female Adjustment Arm Inlet w/ Screwdriver Stop
5	001019-45	Coupling Nut Washer
6	011279-25	Quarter-Turn Cerama Cartridge LTC
7	010027-40	Solid Brass Chrome Plated Lever Handle
8	001660-45	Blue Index-CW
9	011755-45	VR Screw
10	011278-25	Quarter-Turn Cerama Cartridge, RTC
11	001661-45	Red Index-HW



**Product Specifications:**  
 Adjustable Wall Mount Mixing Faucet, Quarter-Turn Cerama Cartridges, Solid Brass Chrome Plated Lever Handles, 5 9/16" Rigid Gooseneck w/ 1.0 GPM Vandal Resistant Aerator & 1/2" NPT Adjustable Arm Female Inlets

**Product Compliance:**  
 ASME A112.18.1 / CSA B125.1  
 NSF 61 - Section 9  
 NSF 372 (Low Lead Content)  
 ANSI A117.1 (ADA)