



T&S BRASS AND BRONZE WORKS, INC.

2 Saddleback Cove / P.O. Box 1088
Travelers Rest, SC 29690

Model No.

B-0330-BST

Item No.

Travelers Rest, SC: 800-476-4103 • Simi Valley, CA: 800-423-0150 • Fax: 864-834-3518 • www.tsbrass.com



ADA Compliant

This Space for Architect/Engineer Approval

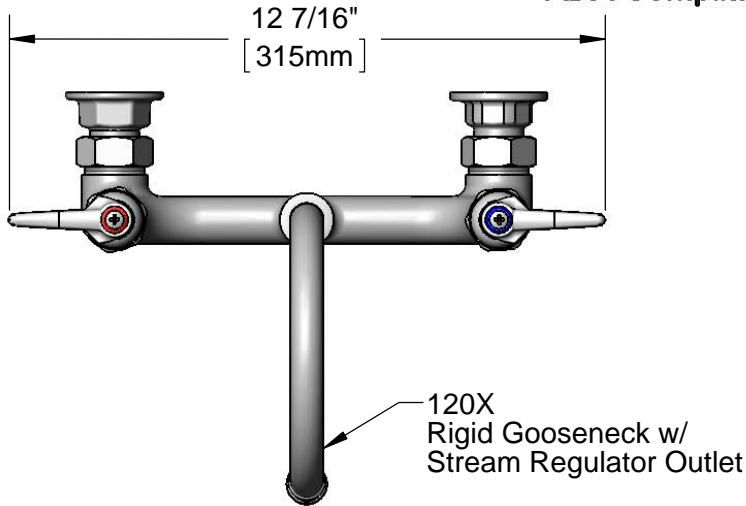
Job Name _____ Date _____

Model Specified _____ Quantity _____

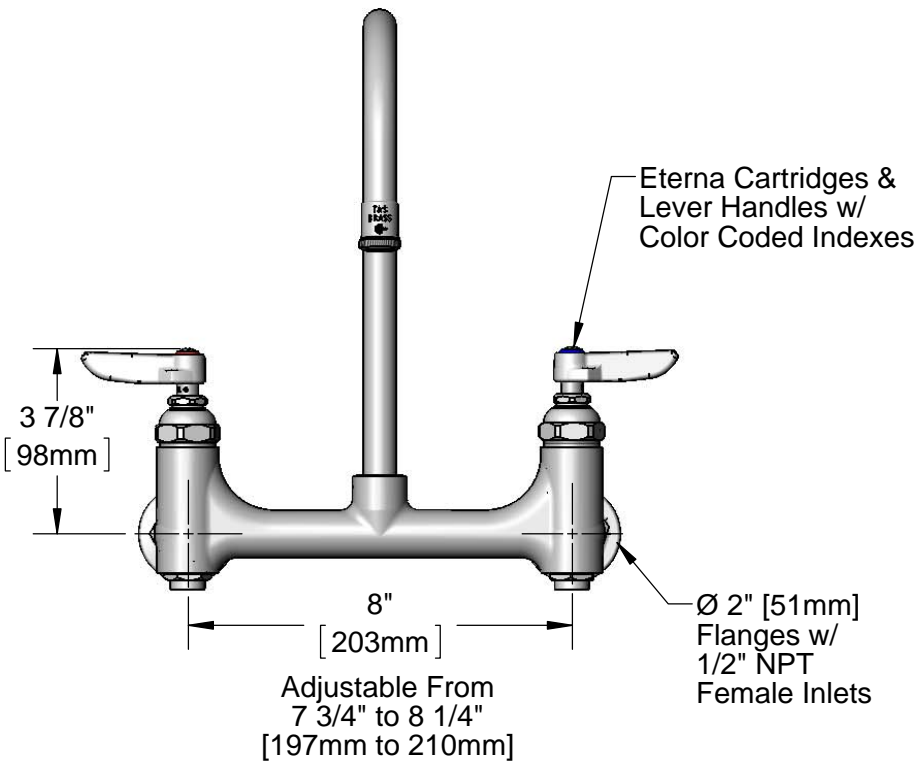
Customer/Wholesaler _____

Contractor _____

Architect/Engineer _____



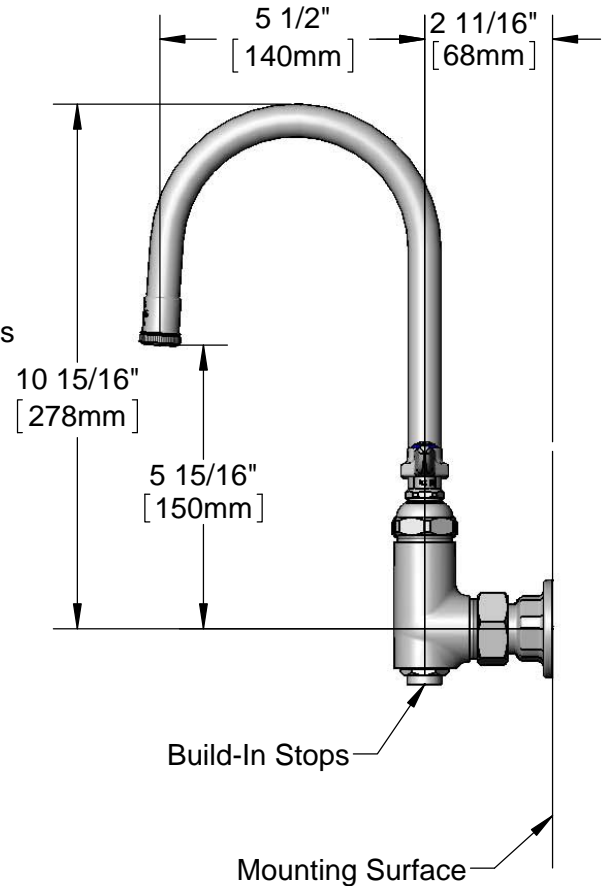
120X Rigid Gooseneck w/ Stream Regulator Outlet



Eterna Cartridges & Lever Handles w/ Color Coded Indexes

Ø 2" [51mm] Flanges w/ 1/2" NPT Female Inlets

Adjustable From 7 3/4" to 8 1/4" [197mm to 210mm]



Build-In Stops

Mounting Surface

Product Specifications:

8" Wall Mount Mixing Faucet, Eterna Cartridges, Lever Handles, 5 1/2" Rigid Gooseneck w/ Stream Regulator Outlet, 1/2" NPT Female Inlets, and Built-In Stops

Product Compliance:

ASME A112.18.1 / CSA B125.1
NSF 61 - Section 9
NSF 372 (Low Lead Content)
ANSI A117.1 (ADA)



T&S BRASS AND BRONZE WORKS, INC.

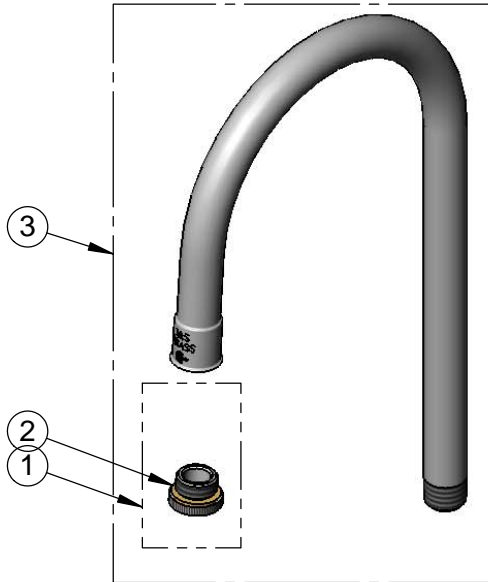
2 Saddleback Cove / P.O. Box 1088
Travelers Rest, SC 29690

Model No.

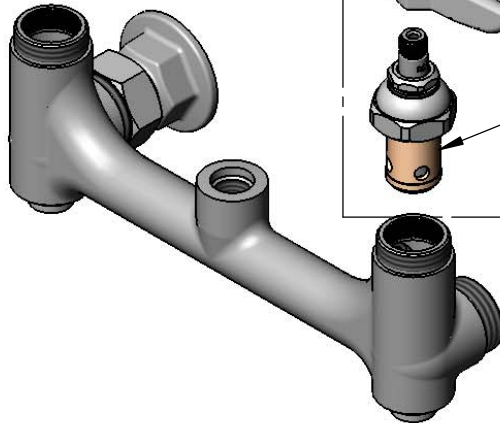
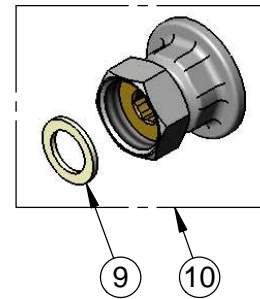
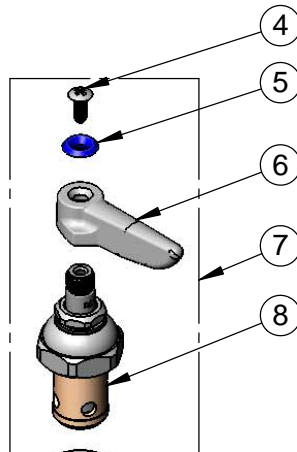
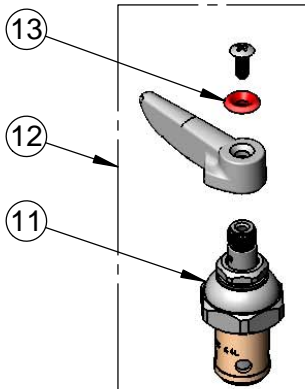
B-0330-BST

Item No.

Travelers Rest, SC: 800-476-4103 • Simi Valley, CA: 800-423-0150 • Fax: 864-834-3518 • www.tsbrass.com



ITEM NO.	SALES NO.	DESCRIPTION
1	B-LT	Stream Regulator Outlet
2	001043-45	Washer
3	120X	Rigid Gooseneck
4	000922-45	Lever Handle Screw
5	001660-45	Blue Index-CW
6	001638-45	Lever Handle
7	002713-40	Eterna Cartridge, LTC w/ Handle, Index & Screw
8	005959-40	Eterna Cartridge, LTC
9	001019-45	Coupling Nut Washer
10	00AA	1/2" NPT Female Eccentric Flange
11	005960-40	Eterna Cartridge, RTC
12	002714-40	Eterna Cartridge, RTC w/ Handle, Index & Screw
13	001661-45	Red Index-HW



Product Specifications:
8" Wall Mount Mixing Faucet, Eterna Cartridges, Lever Handles,
5 1/2" Rigid Gooseneck w/ Stream Regulator Outlet, 1/2" NPT
Female Inlets, and Built-In Stops

Product Compliance:
ASME A112.18.1 / CSA B125.1
NSF 61 - Section 9
NSF 372 (Low Lead Content)
ANSI A117.1 (ADA)