



T&S BRASS AND BRONZE WORKS, INC.
 2 Saddleback Cove / P.O. Box 1088
 Travelers Rest, SC 29690

Model No.
B-0328

Item No.

Travelers Rest, SC: 800-476-4103 • Simi Valley, CA: 800-423-0150 • Fax: 864-834-3518 • www.tsbrass.com

This Space for Architect/Engineer Approval

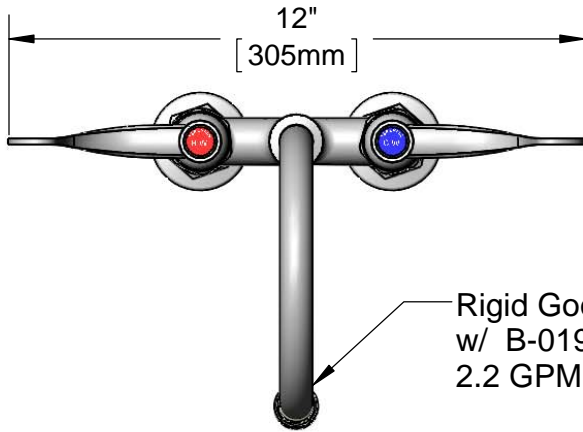
Job Name _____ Date _____

Model Specified _____ Quantity _____

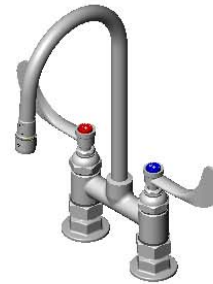
Customer/Wholesaler _____

Contractor _____

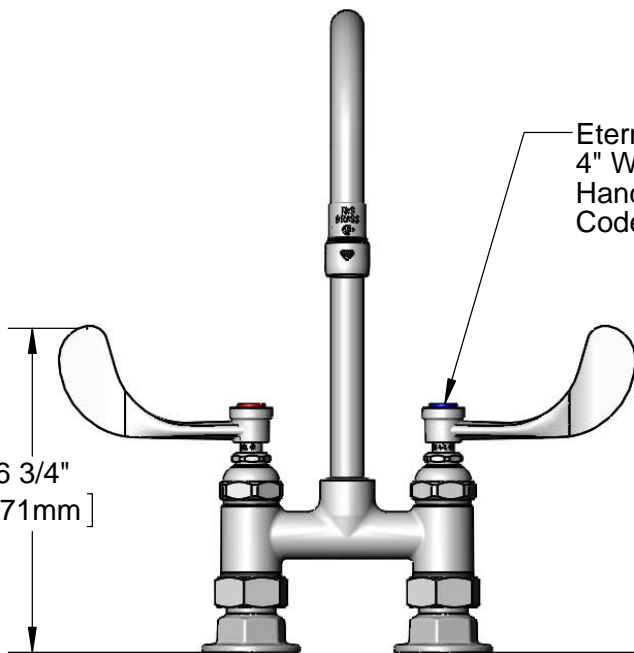
Architect/Engineer _____



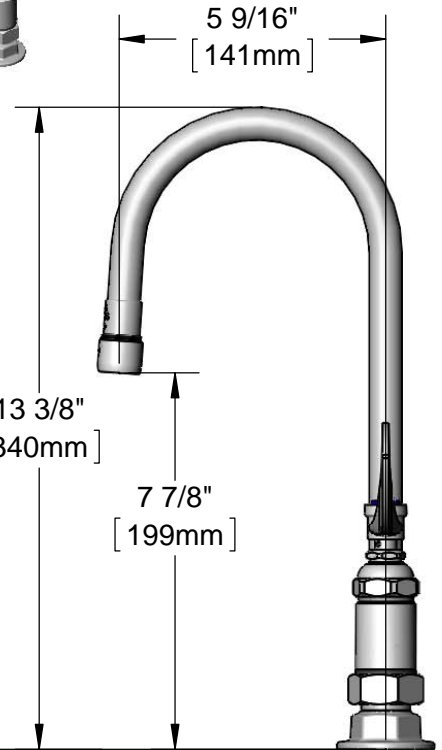
Rigid Gooseneck
 w/ B-0199-02
 2.2 GPM Aerator



ADA Compliant



Eterna Cartridges &
 4" Wrist Action
 Handles w/ Color
 Coded Indexes



4" [102mm]
 Adjustable from
 3 3/4" to 4 1/4"
 [95mm to 108mm]

Ø2" Flange w/
 1/2" NPT Female
 Thread Inlets

Product Specifications:

4" Deck Mount Mixing Faucet, Eterna Cartridges, Rigid Gooseneck w/ 2.2 GPM Aerator, 4" Wrist Action Handles, and 1/2" NPT Female Inlets

Product Compliance:

ASME A112.18.1 / CSA B125.1
 NSF 61 - Section 9
 NSF 372 (Low Lead Content)
 ANSI A117.1 (ADA)

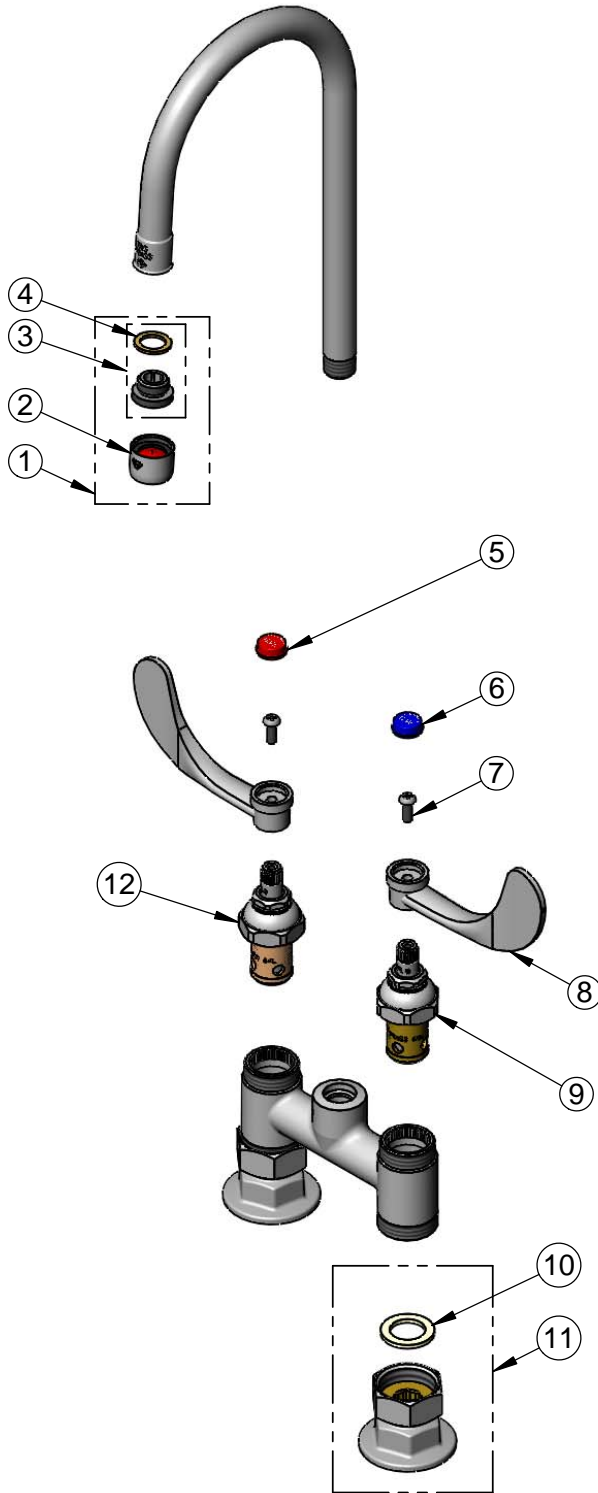


T&S BRASS AND BRONZE WORKS, INC.
 2 Saddleback Cove / P.O. Box 1088
 Travelers Rest, SC 29690

Model No.
B-0328

Item No.

Travelers Rest, SC: 800-476-4103 • Simi Valley, CA: 800-423-0150 • Fax: 864-834-3518 • www.tsbrass.com



ITEM NO.	SALES NO.	DESCRIPTION
1	B-0199-02	2.2 GPM Aerator, Female
2	B-0199-01	2.2 GPM Aerator, 55/64"-27 UN Female
3	044A	3/8" Aerator Adapter
4	001043-45	Washer
5	001194-45	Red Index - HW
6	001686-45	Blue Index - CW
7	000925-45	Lab Handle Screw
8	B-WH4	4" Wrist Action Handle
9	006009-40	Eterna Cartridge, LTC
10	001019-45	Coupling Nut Washer
11	00AA	1/2" NPT Female Eccentric Flange
12	006010-40	Eterna Cartridge, RTC

Product Specifications:

4" Deck Mount Mixing Faucet, Eterna Cartridges, Rigid Gooseneck w/ 2.2 GPM Aerator, 4" Wrist Action Handles, and 1/2" NPT Female Inlets

Product Compliance:

ASME A112.18.1 / CSA B125.1
 NSF 61 - Section 9
 NSF 372 (Low Lead Content)
 ANSI A117.1 (ADA)