



T&S BRASS AND BRONZE WORKS, INC.

2 Saddleback Cove / P.O. Box 1088
Travelers Rest, SC 29690

Model No.

B-0328-CR

Item No.

Travelers Rest, SC: 800-476-4103 • Simi Valley, CA: 800-423-0150 • Fax: 864-834-3518 • www.tsbrass.com

This Space for Architect/Engineer Approval

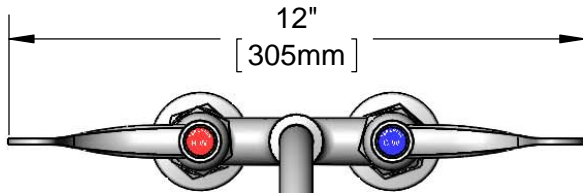
Job Name _____ Date _____

Model Specified _____ Quantity _____

Customer/Wholesaler _____

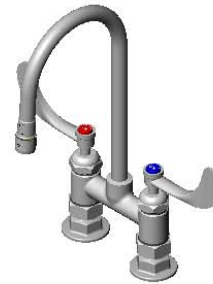
Contractor _____

Architect/Engineer _____

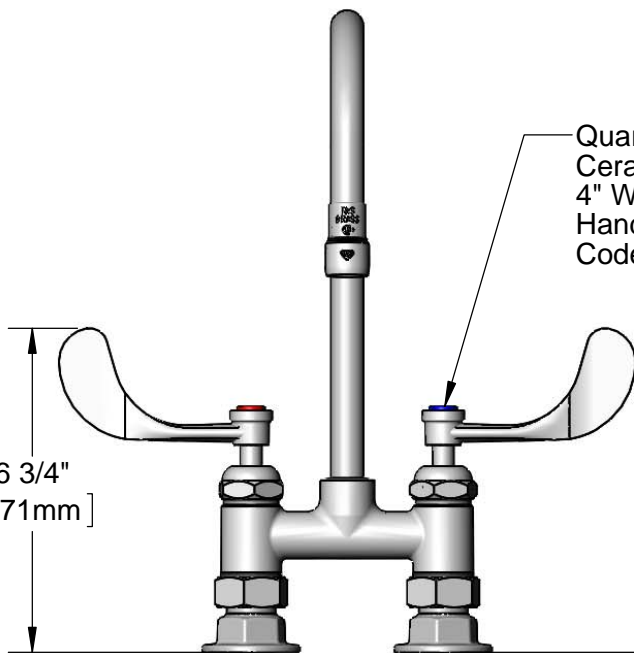


12"
[305mm]

Rigid Gooseneck
w/ B-0199-02
2.2 GPM Aerator



ADA Compliant



Quarter-Turn
Cerama Cartridges &
4" Wrist Action
Handles w/ Color
Coded Indexes

6 3/4"
[171mm]

5 9/16"
[141mm]

13 3/8"
[340mm]

7 7/8"
[199mm]

4"
[102mm]

Adjustable from
3 3/4" to 4 1/4"
[95mm to 108mm]

Ø2" Flange w/
1/2" NPT Female
Thread Inlets

Product Specifications:

4" Deck Mount Mixing Faucet w/ Quarter-Turn Cerama Cartridges, Rigid Gooseneck w/ 2.2 GPM Aerator, 4" Wrist Action Handles and 1/2" NPT Female Inlets

Product Compliance:

ASME A112.18.1 / CSA B125.1
NSF 61 - Section 9
NSF 372 (Low Lead Content)

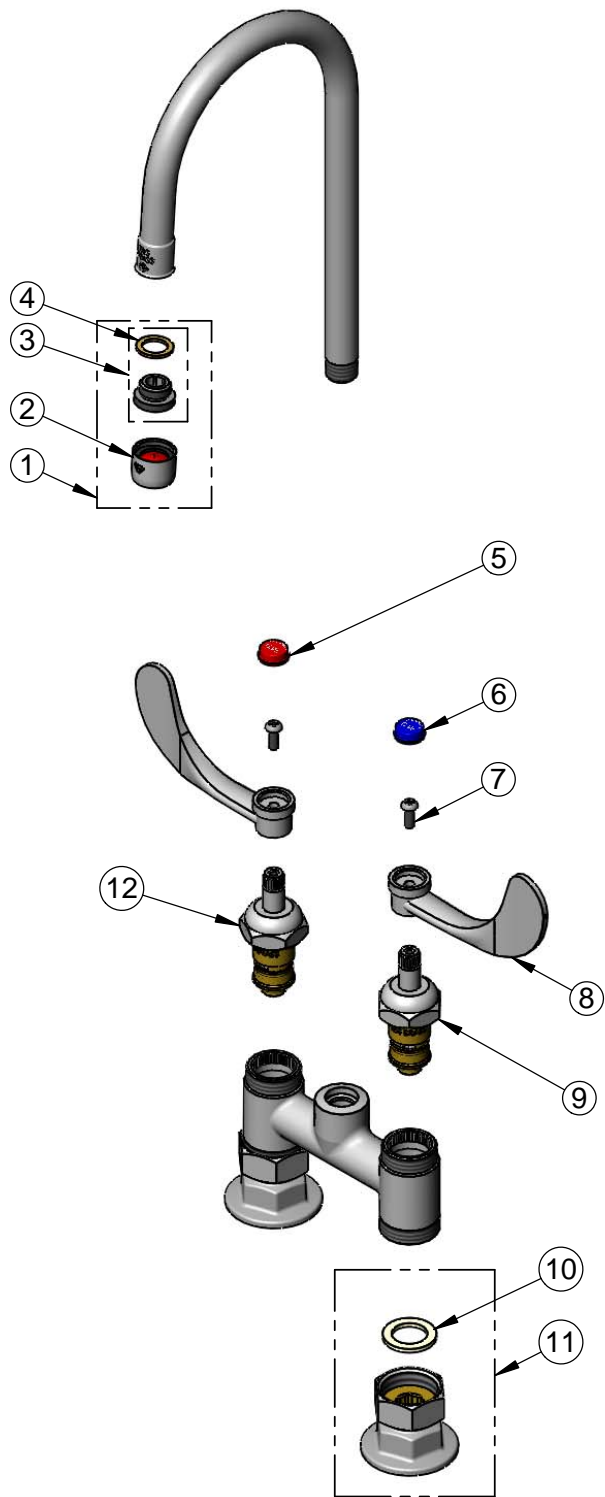


T&S BRASS AND BRONZE WORKS, INC.
 2 Saddleback Cove / P.O. Box 1088
 Travelers Rest, SC 29690

Model No.
B-0328-CR

Item No.

Travelers Rest, SC: 800-476-4103 • Simi Valley, CA: 800-423-0150 • Fax: 864-834-3518 • www.tsbrass.com



ITEM NO.	SALES NO.	DESCRIPTION
1	B-0199-02	2.2 GPM Aerator, Female
2	B-0199-01	2.2 GPM Aerator, 55/64"-27 UN Female
3	044A	3/8" Aerator Adapter
4	001043-45	Washer
5	001194-45	Red Index - HW
6	001686-45	Blue Index - CW
7	000925-45	Lab Handle Screw
8	B-WH4	4" Wrist Action Handle
9	011279-25	Quarter-Turn Cerama Cartridge, LTC
10	001019-45	Coupling Nut Washer
11	00AA	1/2" NPT Female Eccentric Flange
12	011278-25	Quarter-Turn Cerama Cartridge, RTC

Product Specifications:
 4" Deck Mount Mixing Faucet w/ Quarter-Turn Cerama Cartridges, Rigid Gooseneck w/ 2.2 GPM Aerator, 4" Wrist Action Handles and 1/2" NPT Female Inlets

Product Compliance:
 ASME A112.18.1 / CSA B125.1
 NSF 61 - Section 9
 NSF 372 (Low Lead Content)