



T&S BRASS AND BRONZE WORKS, INC.

2 Saddleback Cove / P.O. Box 1088
Travelers Rest, SC 29690

Model No.

B-0328-CR-VF05

Item No.

Travelers Rest, SC: 800-476-4103 • Simi Valley, CA: 800-423-0150 • Fax: 864-834-3518 • www.tsbrass.com



ADA Compliant

This Space for Architect/Engineer Approval

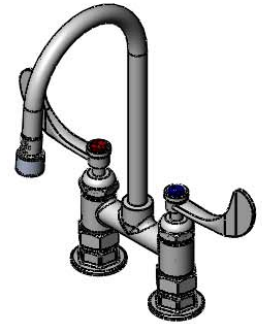
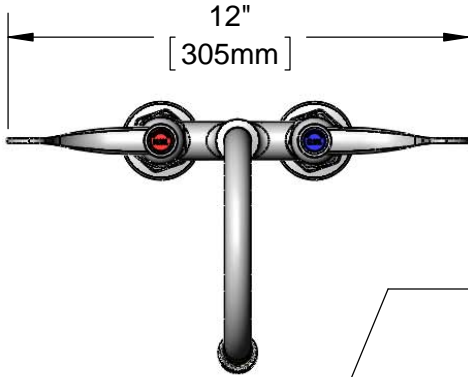
Job Name _____ Date _____

Model Specified _____ Quantity _____

Customer/Wholesaler _____

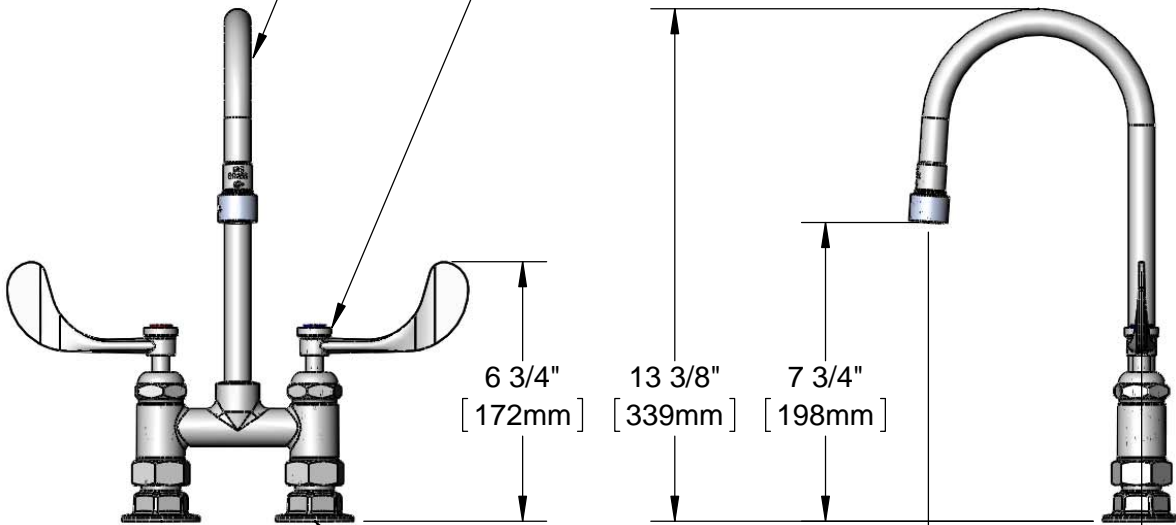
Contractor _____

Architect/Engineer _____



5 9/16" Rigid Gooseneck w/
B-0199-07-N05
VR 0.5 GPM Non-Aerated
Spray Device Outlet, VR Key
(Included)

Cerama Cartridges &
4" Wrist Action Handles
w/ Color Coded Indexes



4" [102mm]
Adjustable from
3 3/4" to 4 1/4"
[95mm to 108mm]

Ø 2" [51mm]
Flanges w/
1/2" NPT
Female Inlets

5 9/16" [141mm]

Product Specifications:

4" Deck Mount Mixing Faucet, Cerama Cartridges, Rigid Gooseneck w/ 0.5 GPM Non-Aerated VR Outlet Device, 4" Wrist Action Handles & 1/2" Female Inlets

Product Compliance:

ASME A112.18.1 / CSA B125.1
NSF 61 - Section 9
NSF 372 (Low Lead Content)
ANSI A117.1 (ADA)



T&S BRASS AND BRONZE WORKS, INC.

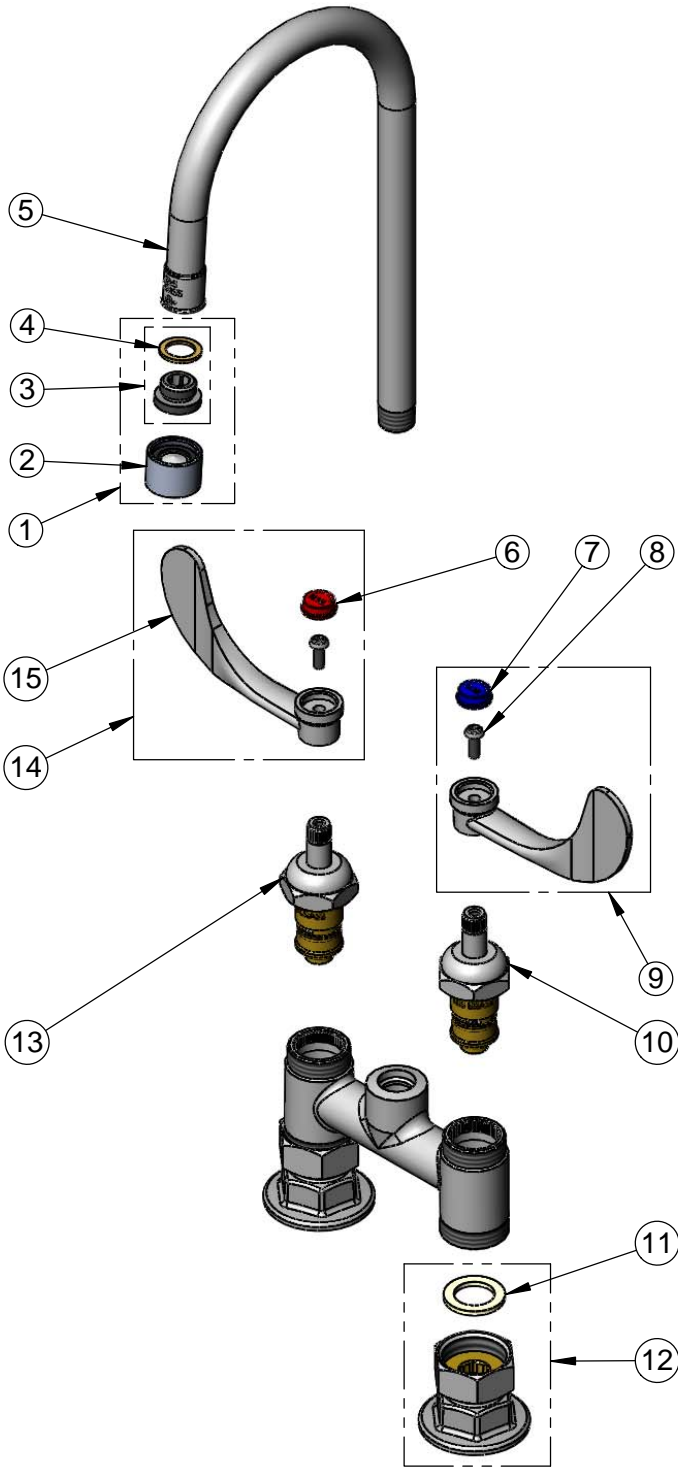
2 Saddleback Cove / P.O. Box 1088
Travelers Rest, SC 29690

Model No.

B-0328-CR-VF05

Item No.

Travelers Rest, SC: 800-476-4103 • Simi Valley, CA: 800-423-0150 • Fax: 864-834-3518 • www.tsbrass.com



ITEM NO.	SALES NO.	DESCRIPTION
1	B-0199-07-N05	VR 0.5 GPM Non-Aerated Spray Device, 3/8" NPSM Male w/ Key
2	B-0199-06-N05	VR 0.5 GPM Non-Aerated Spray Device, 55/64-27 UN Female w/ Key
3	044A	3/8" to Aerator Adapter
4	001043-45	Washer
5	000398-40	Rigid Gooseneck
6	001194-45	Red Index - HW
7	001686-45	Blue Index - CW
8	000925-45	Lab Handle Screw
9	B-WH4C	4" Wrist Action Handle, Screw & Cold Index
10	011279-25	Cerama Cartridge, LTC
11	001019-45	Coupling Nut Washer
12	00AA	1/2" NPT Female Eccentric Flange
13	011278-25	Cerama Cartridge, RTC
14	B-WH4H	4" Wrist Action Handle, Screw & Hot Index
15	B-WH4	4" Wrist Action Handle


 015425-45
 Vandal Resistant
 Key

Product Specifications:

4" Deck Mount Mixing Faucet, Cerama Cartridges, Rigid Gooseneck w/ 0.5 GPM Non-Aerated VR Outlet Device, 4" Wrist Action Handles & 1/2" Female Inlets

Product Compliance:

ASME A112.18.1 / CSA B125.1
NSF 61 - Section 9
NSF 372 (Low Lead Content)
ANSI A117.1 (ADA)