



# T&S BRASS AND BRONZE WORKS, INC.

2 Saddleback Cove / P.O. Box 1088  
Travelers Rest, SC 29690

Model No.

**B-0327**

Item No.

Travelers Rest, SC: 800-476-4103 • Simi Valley, CA: 800-423-0150 • Fax: 864-834-3518 • www.tsbrass.com



**ADA Compliant**

This Space for Architect/Engineer Approval

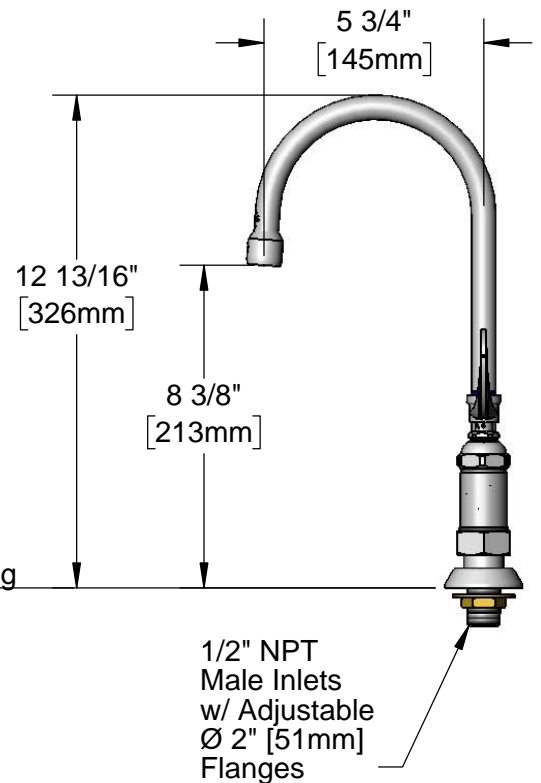
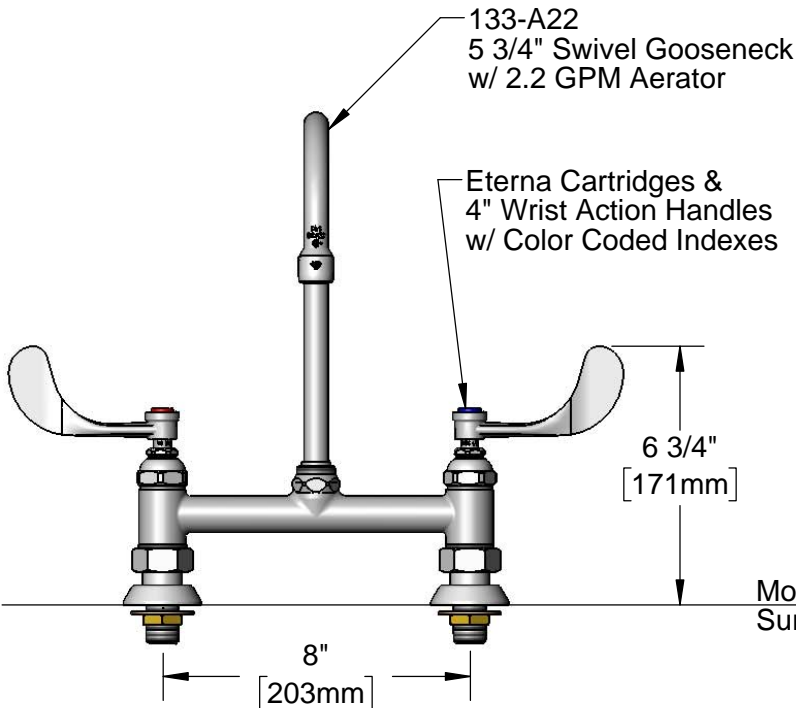
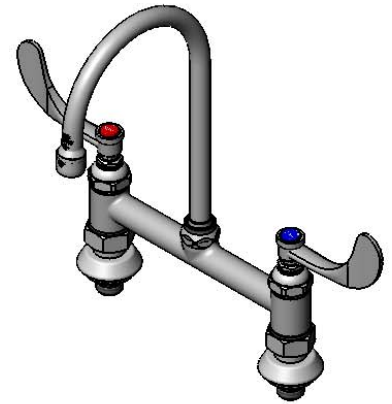
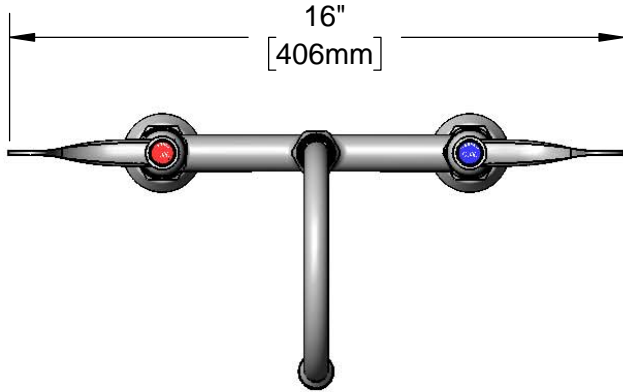
Job Name \_\_\_\_\_ Date \_\_\_\_\_

Model Specified \_\_\_\_\_ Quantity \_\_\_\_\_

Customer/Wholesaler \_\_\_\_\_

Contractor \_\_\_\_\_

Architect/Engineer \_\_\_\_\_



**Rough-In Requirement:**  
(2)  $\varnothing$  1" [25mm] Mounting Holes

**Product Specifications:**  
8" Deck Mount Mixing Faucet, Eterna Cartridges, 4" Wrist Action Handles, 5 3/4" Swivel Gooseneck w/ 2.2 GPM Aerator & 1/2" NPT Male Inlets w/ Adjustable Flanges

**Product Compliance:**  
ASME A112.18.1 / CSA B125.1  
NSF 61 - Section 9  
NSF 372 (Low Lead Content)  
ANSI A117.1 (ADA)



# T&S BRASS AND BRONZE WORKS, INC.

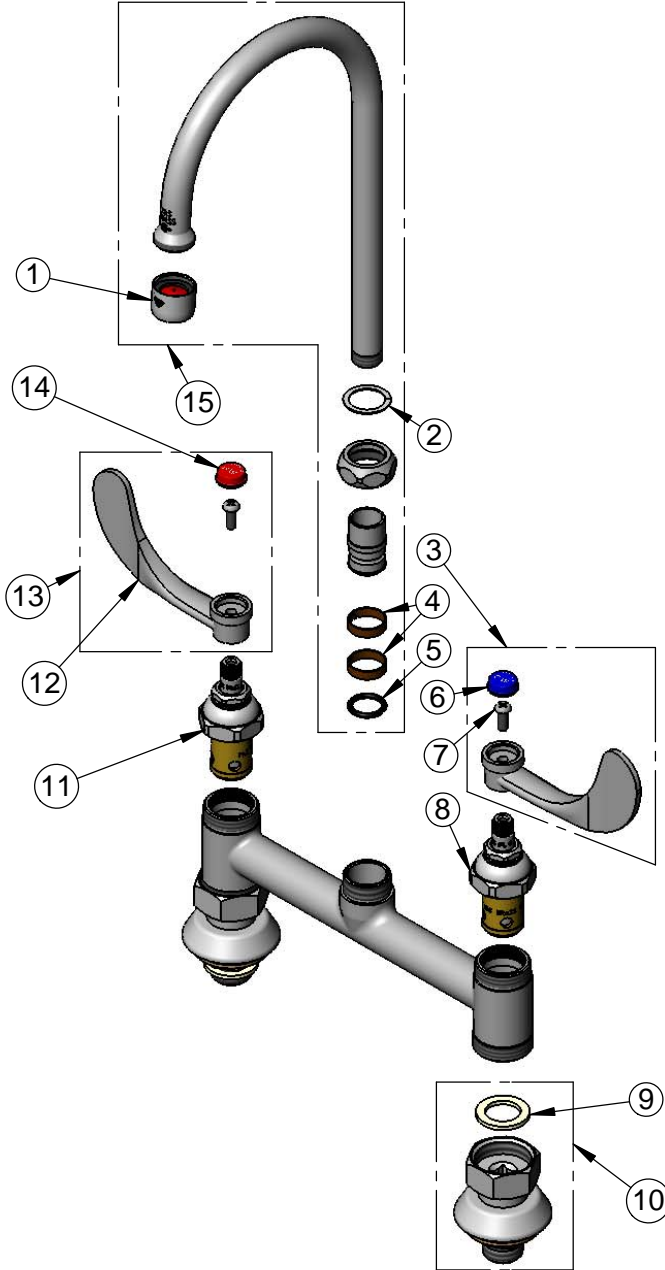
2 Saddleback Cove / P.O. Box 1088  
Travelers Rest, SC 29690

Model No.

**B-0327**

Item No.

Travelers Rest, SC: 800-476-4103 • Simi Valley, CA: 800-423-0150 • Fax: 864-834-3518 • www.tsbrass.com



ITEM NO.	SALES NO.	DESCRIPTION
1	B-0199-01	2.2 GPM Aerator, 55/64"-27 UN Female
2	009538-45	Swivel Washer
3	B-WH4C	4" Wrist Action Handle, Screw & Cold Index
4	011429-45	Swivel Sleeves (2)
5	001074-45	O-Ring
6	001686-45	Blue Index - CW
7	000925-45	Lab Handle Screw
8	006009-40	Eterna Cartridge, LTC (Teflon)
9	001019-45	Coupling Nut Washer
10	00EE	1/2" NPT Male Adjustable Flange
11	006010-40	Eterna Cartridge, RTC (Teflon)
12	B-WH4	4" Wrist Action Handle
13	B-WH4H	4" Wrist Action Handle, Screw & Hot Index
14	001194-45	Red Index - HW
15	133X-A22	6" Swivel Gooseneck w/ 2.2 GPM Aerator

**Product Specifications:**

8" Deck Mount Mixing Faucet, Eterna Cartridges, 4" Wrist Action Handles, 5 3/4" Swivel Gooseneck w/ 2.2 GPM Aerator & 1/2" NPT Male Inlets w/ Adjustable Flanges

**Product Compliance:**

ASME A112.18.1 / CSA B125.1  
NSF 61 - Section 9  
NSF 372 (Low Lead Content)  
ANSI A117.1 (ADA)