



T&S BRASS AND BRONZE WORKS, INC.
 2 Saddleback Cove / P.O. Box 1088
 Travelers Rest, SC 29690

Model No.
B-0326-LN

Item No.

Travelers Rest, SC: 800-476-4103 • Simi Valley, CA: 800-423-0150 • Fax: 864-834-3518 • www.tsbrass.com



ADA Compliant

This Space for Architect/Engineer Approval

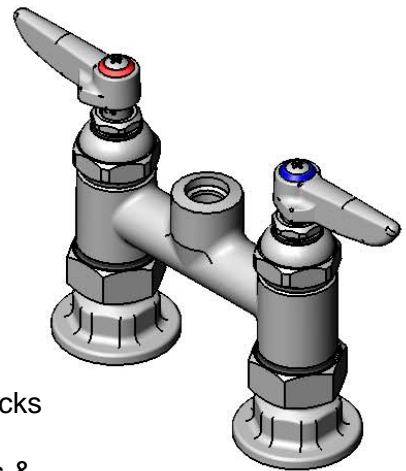
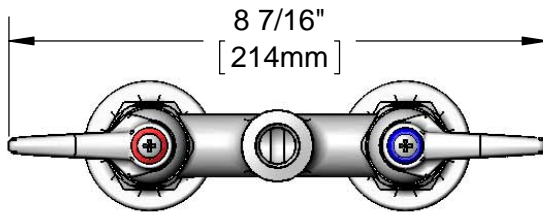
Job Name _____ Date _____

Model Specified _____ Quantity _____

Customer/Wholesaler _____

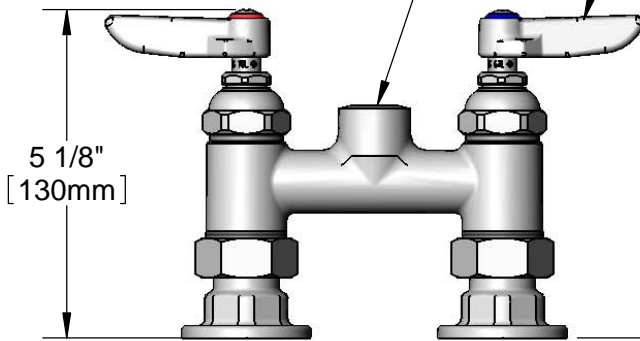
Contractor _____

Architect/Engineer _____



3/8" NPT Female Outlet
 Accepts 3/8" Rigid Goosenecks

Eterna Cartridges &
 Lever Handles w/
 Color Coded Indexes



Mounting Surface

4"
 [102mm]
 Adjustable From
 3 3/4" to 4 1/4"
 [95mm to 108mm]

Ø 2" [51mm]
 Flanges w/
 1/2" NPT
 Female Inlets

Product Specifications:

4" Deck Mount Mixing Faucet, Eterna Cartridges, Lever Handles & 1/2" NPT Female Inlets, Less Nozzle

Product Compliance:

ASME A112.18.1 / CSA B125.1
 NSF 61 - Section 9
 NSF 372 (Low Lead Content)
 ANSI A117.1 (ADA)



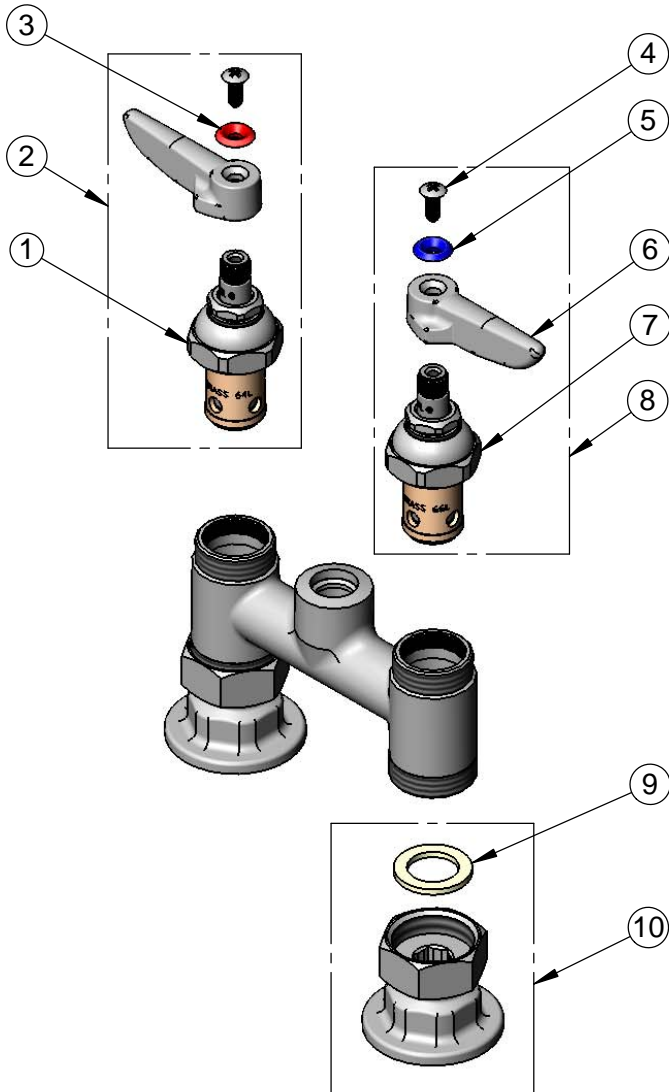
T&S BRASS AND BRONZE WORKS, INC.
 2 Saddleback Cove / P.O. Box 1088
 Travelers Rest, SC 29690

Model No.
B-0326-LN

Item No.

Travelers Rest, SC: 800-476-4103 • Simi Valley, CA: 800-423-0150 • Fax: 864-834-3518 • www.tsbrass.com

ITEM NO.	SALES NO.	DESCRIPTION
1	005959-40	Eterna Cartridge, LTC
2	002713-40	Eterna Cartridge, LTC w/ Handle, Index & Screw
3	001661-45	Red Index-HW
4	000922-45	Lever Handle Screw
5	001660-45	Blue Index-CW
6	001638-45	Lever Handle
7	005960-40	Eterna Cartridge, RTC
8	002714-40	Eterna Cartridge, RTC w/ Handle, Index & Screw
9	001019-45	Coupling Nut Washer
10	00AA	1/2" NPT Female Eccentric Flange



Product Specifications:
 4" Deck Mount Mixing Faucet, Eterna Cartridges, Lever Handles & 1/2" NPT Female Inlets, Less Nozzle

Product Compliance:
 ASME A112.18.1 / CSA B125.1
 NSF 61 - Section 9
 NSF 372 (Low Lead Content)
 ANSI A117.1 (ADA)