



T&S BRASS AND BRONZE WORKS, INC.

2 Saddleback Cove / P.O. Box 1088
Travelers Rest, SC 29690

Model No.

B-0325-WH4

Item No.

Travelers Rest, SC: 800-476-4103 • Simi Valley, CA: 800-423-0150 • Fax: 864-834-3518 • www.tsbrass.com



ADA Compliant

This Space for Architect/Engineer Approval

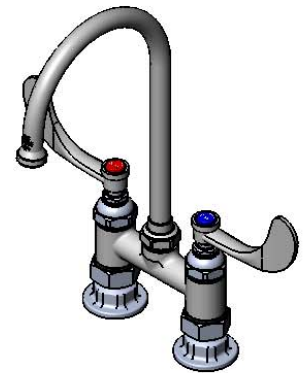
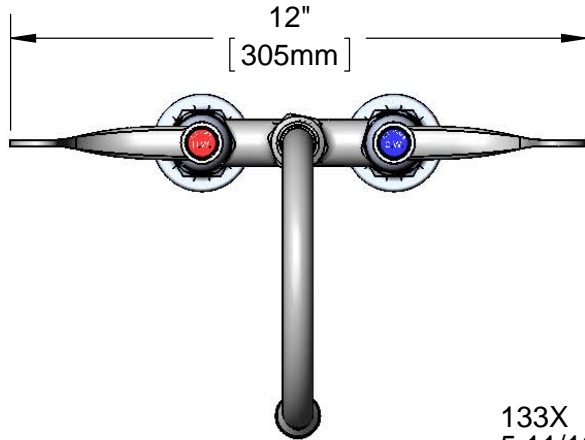
Job Name _____ Date _____

Model Specified _____ Quantity _____

Customer/Wholesaler _____

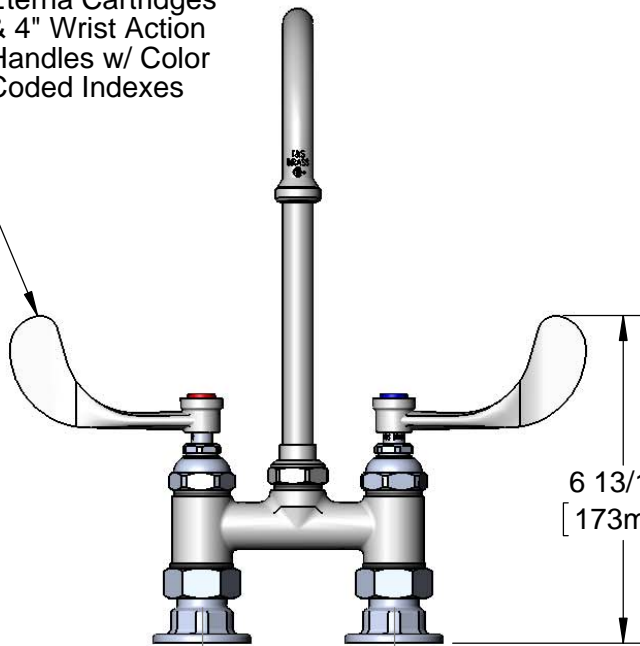
Contractor _____

Architect/Engineer _____



133X
5 11/16" Swivel Gooseneck
w/ Stream Regulator Outlet

Eterna Cartridges
& 4" Wrist Action
Handles w/ Color
Coded Indexes



4"
[102mm]
Adjustable from
3 3/4" to 4 1/4"
[95mm to 108mm]

Ø2"
[51mm]
Flanges w/
1/2" NPT
Female Inlets

Product Specifications:

4" Deck Mount Mixing Faucet, Eterna Cartridges, 4" Wrist Action Handles, 6" Swivel Gooseneck w/ Stream Regulator Outlet & 1/2" NPT Female Inlet Flanges

Product Compliance:

ASME A112.18.1 / CSA B125.1
NSF 61 - Section 9
NSF 372 (Low Lead Content)
ANSI A117.1 (ADA)



T&S BRASS AND BRONZE WORKS, INC.

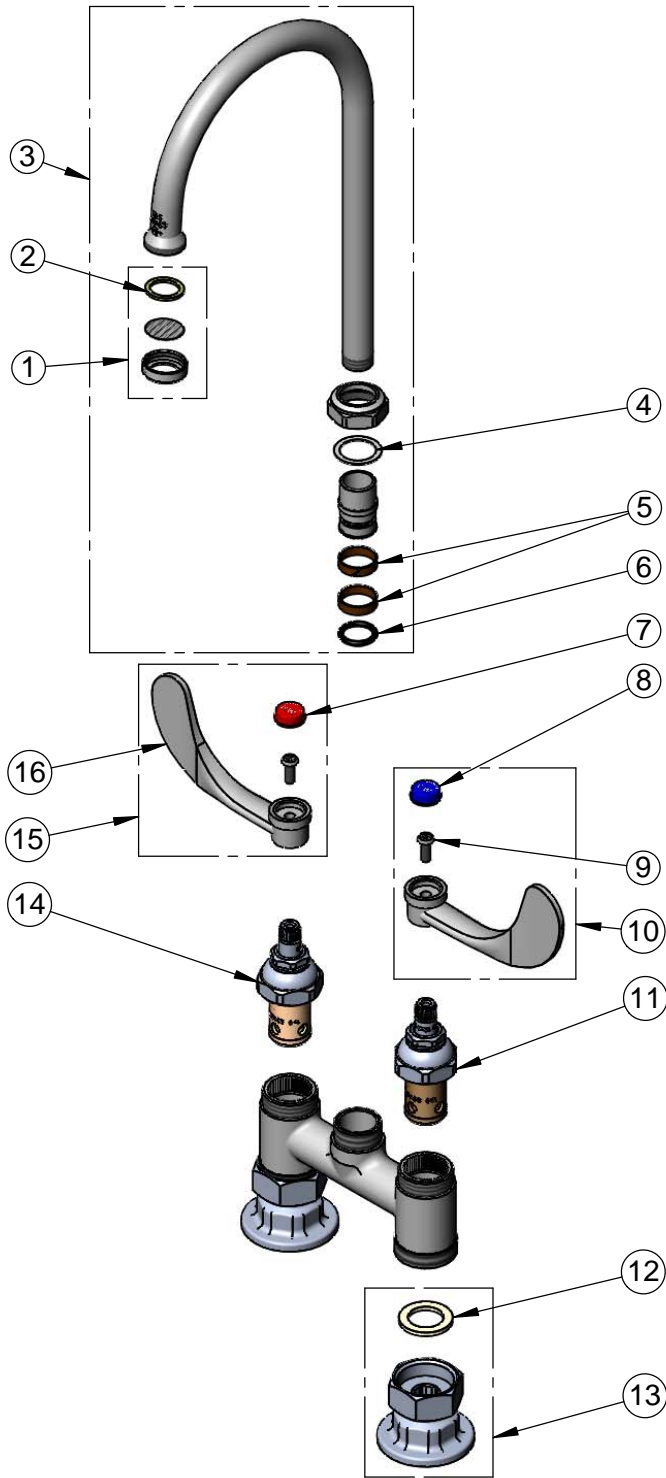
2 Saddleback Cove / P.O. Box 1088
Travelers Rest, SC 29690

Model No.

B-0325-WH4

Item No.

Travelers Rest, SC: 800-476-4103 • Simi Valley, CA: 800-423-0150 • Fax: 864-834-3518 • www.tsbrass.com



| ITEM NO. | SALES NO. | DESCRIPTION |
|----------|-----------|--|
| 1 | B-PT | Stream Regulator Outlet |
| 2 | 001048-45 | Nozzle Tip Washer |
| 3 | 133X | 6" Swivel Gooseneck |
| 4 | 009538-45 | Swivel Washer |
| 5 | 011429-45 | Swivel Sleeves (2) |
| 6 | 001074-45 | O-Ring |
| 7 | 001194-45 | Red Index - HW |
| 8 | 001686-45 | Blue Index - CW |
| 9 | 000925-45 | Lab Handle Screw |
| 10 | B-WH4C | 4" Wrist Action Handle, Screw & Cold Index |
| 11 | 006009-40 | Eterna Cartridge, LTC (Teflon) |
| 12 | 001019-45 | Coupling Nut Washer |
| 13 | 00AA | 1/2" NPT Female Eccentric Flange |
| 14 | 006010-40 | Eterna Cartridge, RTC (Teflon) |
| 15 | B-WH4H | 4" Wrist Action Handle, Screw & Hot Index |
| 16 | B-WH4 | 4" Wrist Action Handle |

Product Specifications:

4" Deck Mount Mixing Faucet, Eterna Cartridges, 4" Wrist Action Handles, 6" Swivel Gooseneck w/ Stream Regulator Outlet & 1/2" NPT Female Inlet Flanges

Product Compliance:

ASME A112.18.1 / CSA B125.1
NSF 61 - Section 9
NSF 372 (Low Lead Content)
ANSI A117.1 (ADA)