



T&S BRASS AND BRONZE WORKS, INC.

2 Saddleback Cove / P.O. Box 1088
Travelers Rest, SC 29690

Model No.

B-0325-NPL

Item No.

Travelers Rest, SC: 800-476-4103 • Simi Valley, CA: 800-423-0150 • Fax: 864-834-3518 • www.tsbrass.com

This Space for Architect/Engineer Approval

Job Name _____ Date _____

Model Specified _____ Quantity _____

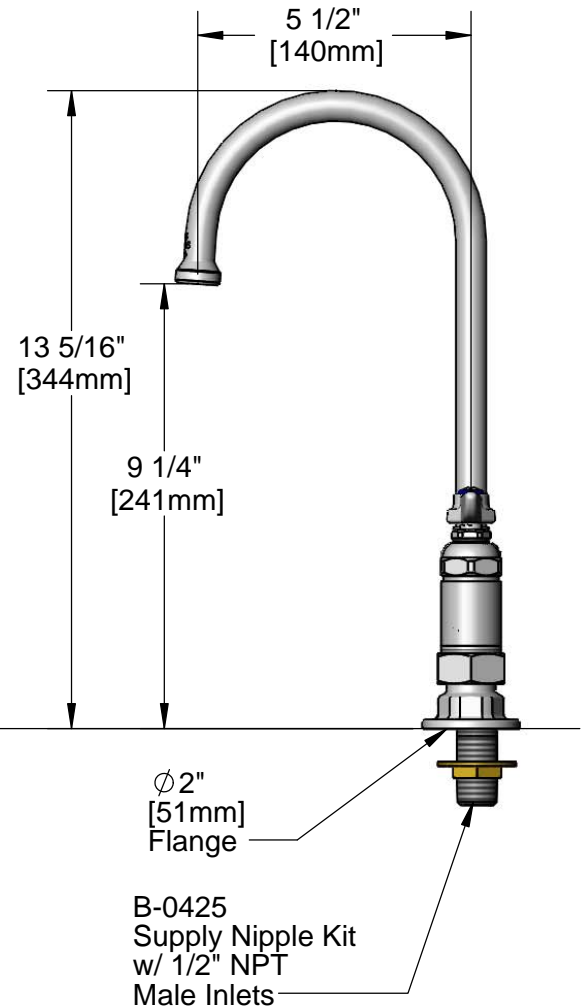
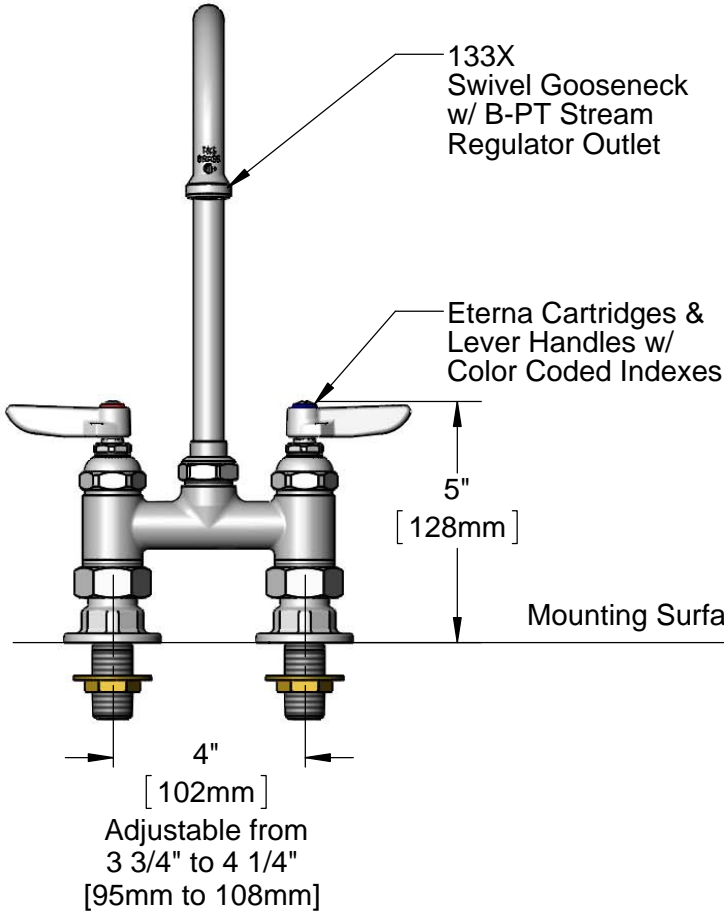
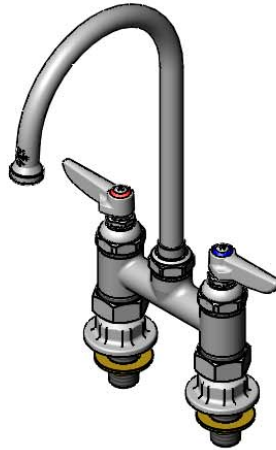
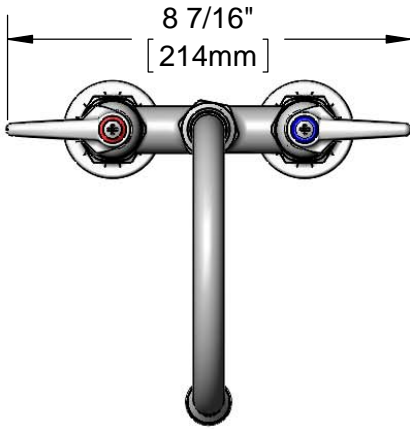
Customer/Wholesaler _____

Contractor _____

Architect/Engineer _____



ADA Compliant



Rough-In Requirement:
(2) ϕ 1" [25mm] Mounting Holes

Product Specifications:
4" Double Deck Pantry Mixing Faucet, Eterna Cartridges, Lever Handles, Swivel Gooseneck w/ Stream Regulator Outlet & 1/2" NPT Male Supply Nipples

Product Compliance:
ASME A112.18.1 / CSA B125.1
NSF 61 - Section 9
NSF 372 (Low Lead Content)
ANSI A117.1 (ADA)



T&S BRASS AND BRONZE WORKS, INC.

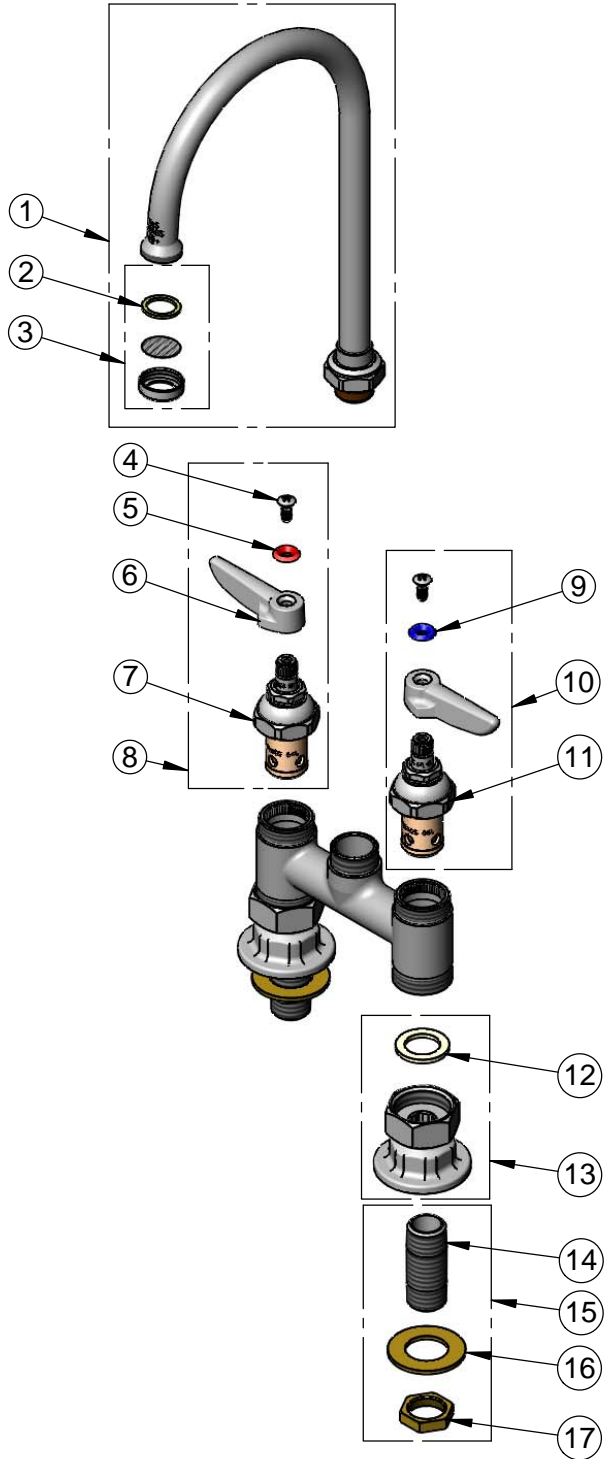
2 Saddleback Cove / P.O. Box 1088
Travelers Rest, SC 29690

Model No.

B-0325-NPL

Item No.

Travelers Rest, SC: 800-476-4103 • Simi Valley, CA: 800-423-0150 • Fax: 864-834-3518 • www.tsbrass.com



ITEM NO.	SALES NO.	DESCRIPTION
1	133X	Swivel Gooseneck
2	001048-45	Nozzle Tip Washer
3	B-PT	Stream Regulator Outlet
4	000922-45	Lever Handle Screw
5	001661-45	Red Index-HW
6	001638-45	Lever Handle
7	005960-40	Eterna Cartridge, RTC
8	002714-40	Eterna Cartridge, RTC w/ Handle, Index & Screw
9	001660-45	Blue Index-CW
10	002713-40	Eterna Cartridge, LTC w/ Handle, Index & Screw
11	005959-40	Eterna Cartridge, LTC
12	001019-45	Coupling Nut Washer
13	00AA	1/2" NPT Female Eccentric Flange
14	000422-20	Nipple, 1/2" NPT
15	B-0425	Supply Nipple Kit, 1/2" NPT
16	000999-45	Brass Lock Washer
17	002954-45	Shank Lock Nut

Product Specifications:

4" Double Deck Pantry Mixing Faucet, Eterna Cartridges, Lever Handles, Swivel Gooseneck w/ Stream Regulator Outlet & 1/2" NPT Male Supply Nipples

Product Compliance:

ASME A112.18.1 / CSA B125.1
NSF 61 - Section 9
NSF 372 (Low Lead Content)
ANSI A117.1 (ADA)