



T&S BRASS AND BRONZE WORKS, INC.

2 Saddleback Cove / P.O. Box 1088
Travelers Rest, SC 29690

Model No.

B-0325-LNCC

Item No.

Travelers Rest, SC: 800-476-4103 • Simi Valley, CA: 800-423-0150 • Fax: 864-834-3518 • www.tsbrass.com



ADA Compliant

This Space for Architect/Engineer Approval

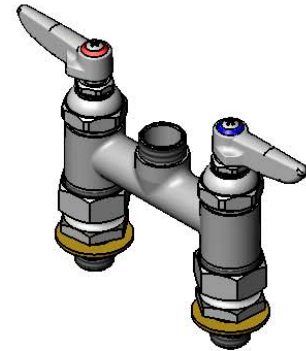
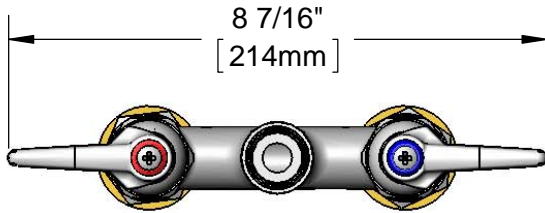
Job Name _____ Date _____

Model Specified _____ Quantity _____

Customer/Wholesaler _____

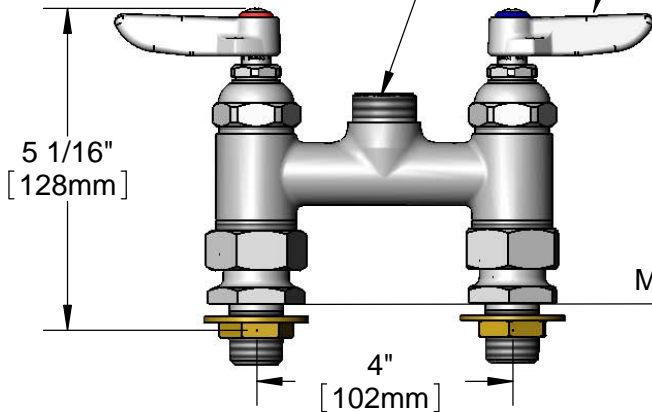
Contractor _____

Architect/Engineer _____



Swivel Outlet Accepts
Standard T&S Swing
Nozzles

Eterna Cartridges &
Lever Handles w/
Color Coded Indexes



Mounting Surface

1/2" NPT
Male Inlets

3/16"
[5mm]
Maximum
Thickness

Adjustable From
3 3/4" to 4 1/4"
[95mm to 108mm]

Rough-In Requirement:
Ø1" [25mm] Mounting Holes

Product Specifications:

4" Deck Mount Mixing Faucet, Eterna Cartridges, Lever Handles
& 1/2" NPT Male Inlets, Less Nozzle

Product Compliance:

ASME A112.18.1 / CSA B125.1
NSF 61 - Section 9
NSF 372 (Low Lead Content)
ANSI A117.1 (ADA)



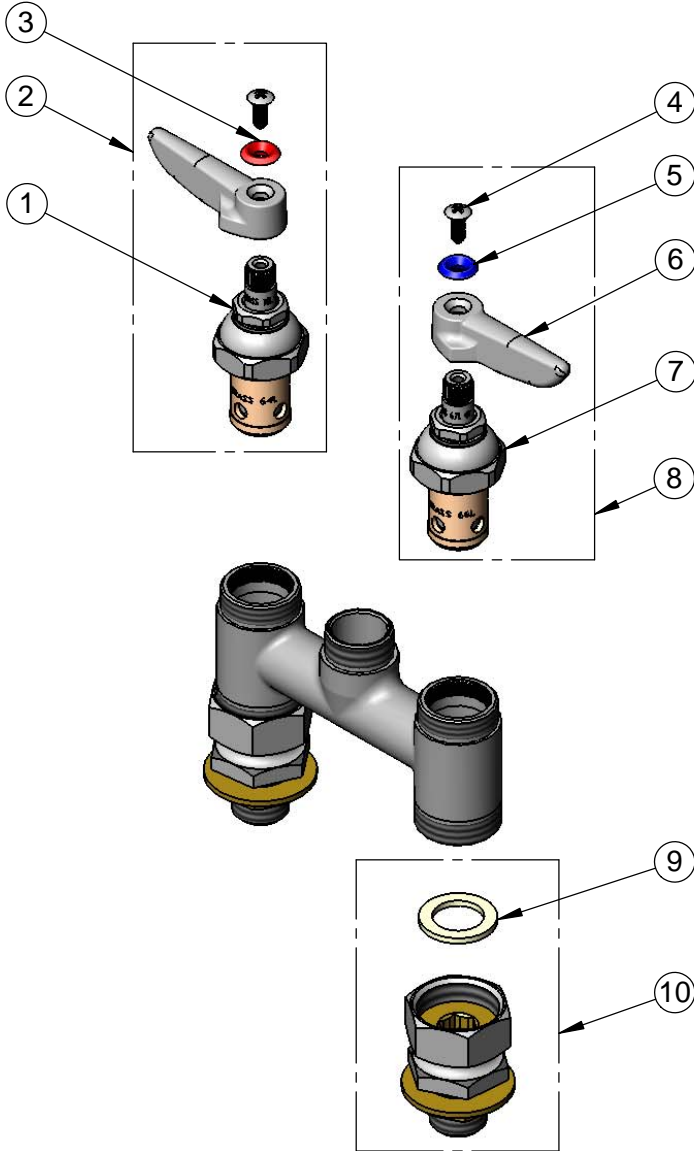
T&S BRASS AND BRONZE WORKS, INC.
 2 Saddleback Cove / P.O. Box 1088
 Travelers Rest, SC 29690

Model No.
B-0325-LNCC

Item No.

Travelers Rest, SC: 800-476-4103 • Simi Valley, CA: 800-423-0150 • Fax: 864-834-3518 • www.tsbrass.com

ITEM NO.	SALES NO.	DESCRIPTION
1	005960-40	Eterna Cartridge, RTC
2	002714-40	Eterna Cartridge, RTC w/ Handle, Index & Screw
3	001661-45	Red Index-HW
4	000922-45	Lever Handle Screw
5	001660-45	Blue Index-CW
6	001638-45	Lever Handle
7	005959-40	Eterna Cartridge, LTC
8	002713-40	Eterna Cartridge, LTC w/ Handle, Index & Screw
9	001019-45	Coupling Nut Washer
10	00CC	1/2" NPT Male Inets



Product Specifications:
 4" Deck Mount Mixing Faucet, Eterna Cartridges, Lever Handles
 & 1/2" NPT Male Inlets, Less Nozzle

Product Compliance:
 ASME A112.18.1 / CSA B125.1
 NSF 61 - Section 9
 NSF 372 (Low Lead Content)
 ANSI A117.1 (ADA)