



# T&S BRASS AND BRONZE WORKS, INC.

2 Saddleback Cove / P.O. Box 1088  
Travelers Rest, SC 29690

Model No.

**B-0325-A22**

Item No.

Travelers Rest, SC: 800-476-4103 • Simi Valley, CA: 800-423-0150 • Fax: 864-834-3518 • www.tsbrass.com

This Space for Architect/Engineer Approval

Job Name \_\_\_\_\_ Date \_\_\_\_\_

Model Specified \_\_\_\_\_ Quantity \_\_\_\_\_

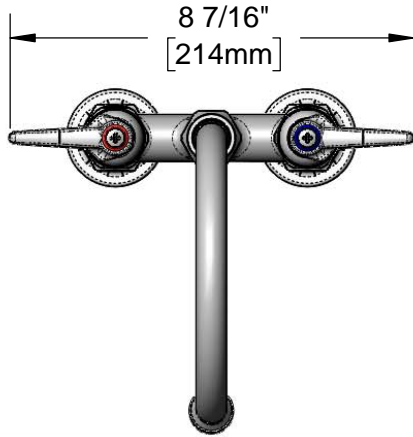
Customer/Wholesaler \_\_\_\_\_

Contractor \_\_\_\_\_

Architect/Engineer \_\_\_\_\_



**ADA Compliant**

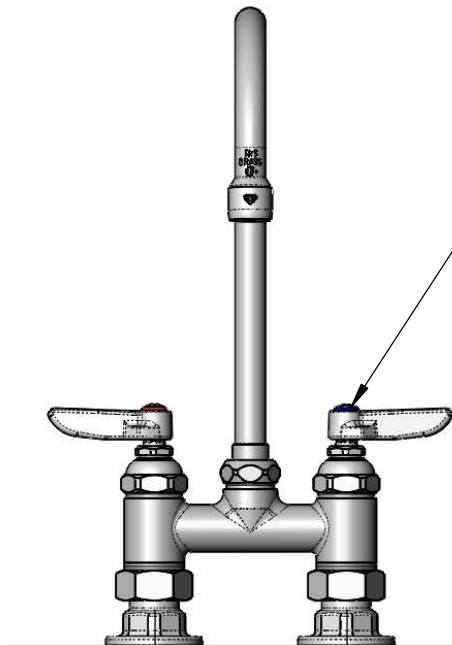


8 7/16"  
[214mm]



133X-A22  
5 3/4" Swivel Gooseneck  
w/ 2.2 GPM Aerator

Eterna Cartridges &  
Lever Handles w/  
Color Coded Indexes



Mounting Surface

5 3/4"  
[145mm]

13 5/16"  
[338mm]

8 7/8"  
[225mm]

4"  
[102mm]

Adjustable from  
3 3/4" to 4 1/4"  
[95mm to 108mm]

Ø 2" [51mm]  
Flanges w/  
1/2" NPT  
Female Inlets

Rough-In Requirement:  
Ø 1" [25mm] Mounting Holes

Product Specifications:

4" Deck Mount Mixing Faucet, Eterna Cartridges, 5 3/4" Swivel Gooseneck w/ 2.2 GPM Aerator, Lever Handles & 1/2" NPT Female Inlets

Product Compliance:

ASME A112.18.1 / CSA B125.1  
NSF 61 - Section 9  
NSF 372 (Low Lead Content)  
ANSI A117.1 (ADA)



# T&S BRASS AND BRONZE WORKS, INC.

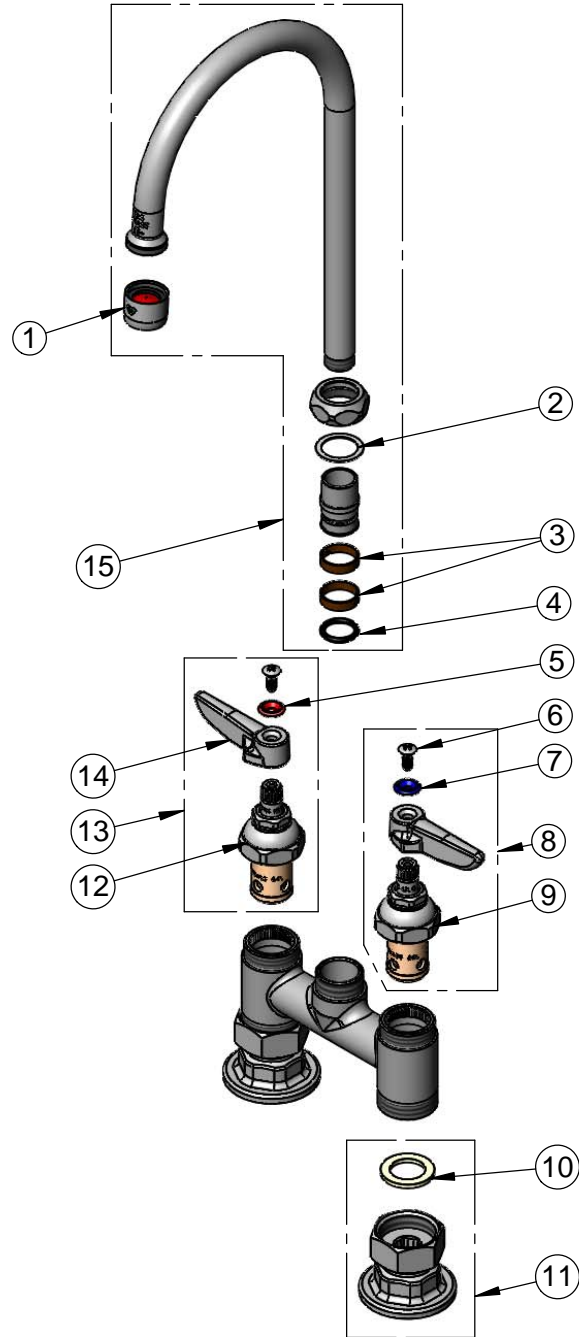
2 Saddleback Cove / P.O. Box 1088  
Travelers Rest, SC 29690

Model No.

**B-0325-A22**

Item No.

Travelers Rest, SC: 800-476-4103 • Simi Valley, CA: 800-423-0150 • Fax: 864-834-3518 • www.tsbrass.com



ITEM NO.	SALES NO.	DESCRIPTION
1	B-0199-01	2.2 GPM Aerator, 55/64"-27 UN Female
2	009538-45	Swivel Washer
3	011429-45	Swivel Sleeves (2)
4	001074-45	O-Ring
5	001661-45	Red Index-HW
6	000922-45	Lever Handle Screw
7	001660-45	Blue Index-CW
8	002713-40	Eterna Cartridge LTC w/ Handle, Index & Screw
9	005959-40	Eterna Cartridge, LTC
10	001019-45	Coupling Nut Washer
11	00AA	1/2" NPT Female Eccentric Flange
12	005960-40	Eterna Cartridge, RTC
13	002714-40	Eterna Cartridge RTC w/ Handle, Index & Screw
14	001638-45	Lever Handle
15	133X-A22	6" Swivel Gooseneck w/ 2.2 GPM Aerator

**Product Specifications:**

4" Deck Mount Mixing Faucet, Eterna Cartridges, 5 3/4" Swivel Gooseneck w/ 2.2 GPM Aerator, Lever Handles & 1/2" NPT Female Inlets

**Product Compliance:**

ASME A112.18.1 / CSA B125.1  
NSF 61 - Section 9  
NSF 372 (Low Lead Content)  
ANSI A117.1 (ADA)