



T&S BRASS AND BRONZE WORKS, INC.
 2 Saddleback Cove / P.O. Box 1088
 Travelers Rest, SC 29690

Model No.
B-0324-04

Item No.

Travelers Rest, SC: 800-476-4103 • Simi Valley, CA: 800-423-0150 • Fax: 864-834-3518 • www.tsbrass.com



ADA Compliant

This Space for Architect/Engineer Approval

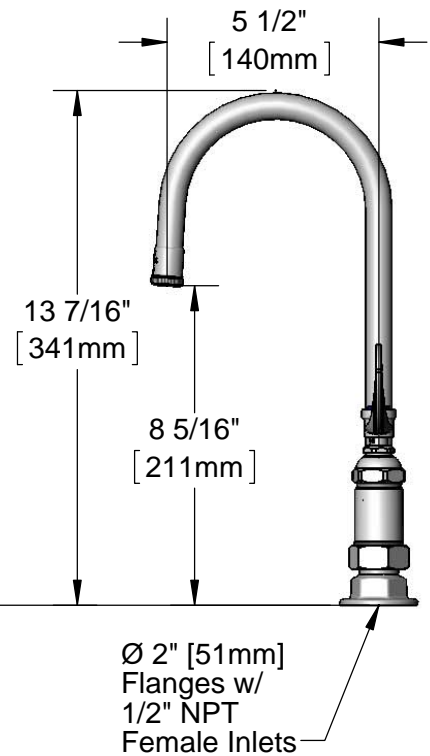
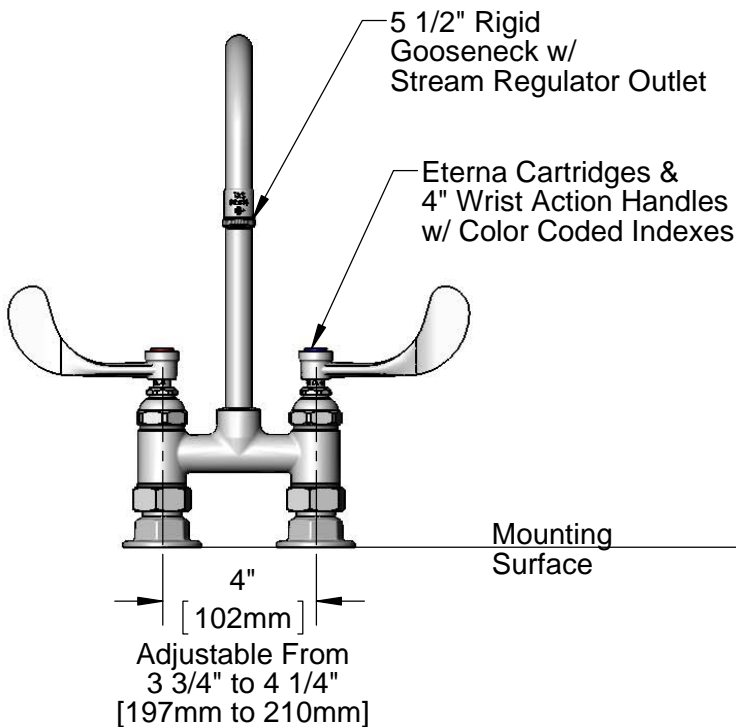
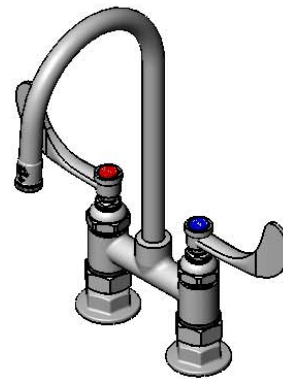
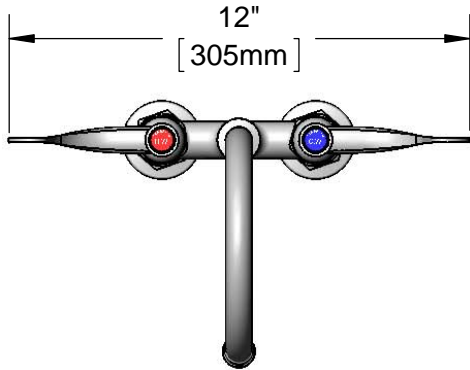
Job Name _____ Date _____

Model Specified _____ Quantity _____

Customer/Wholesaler _____

Contractor _____

Architect/Engineer _____



Product Specifications:

4" Deck Mount Mixing Faucet, Eterna Cartridges, 4" Wrist Action Handles, 5 1/2" Rigid Gooseneck w/ Rosespray Outlet & 1/2" NPT Female Inlets

Product Compliance:

ASME A112.18.1 / CSA B125.1
 NSF 61 - Section 9
 NSF 372 (Low Lead Content)
 ANSI A117.1 (ADA)

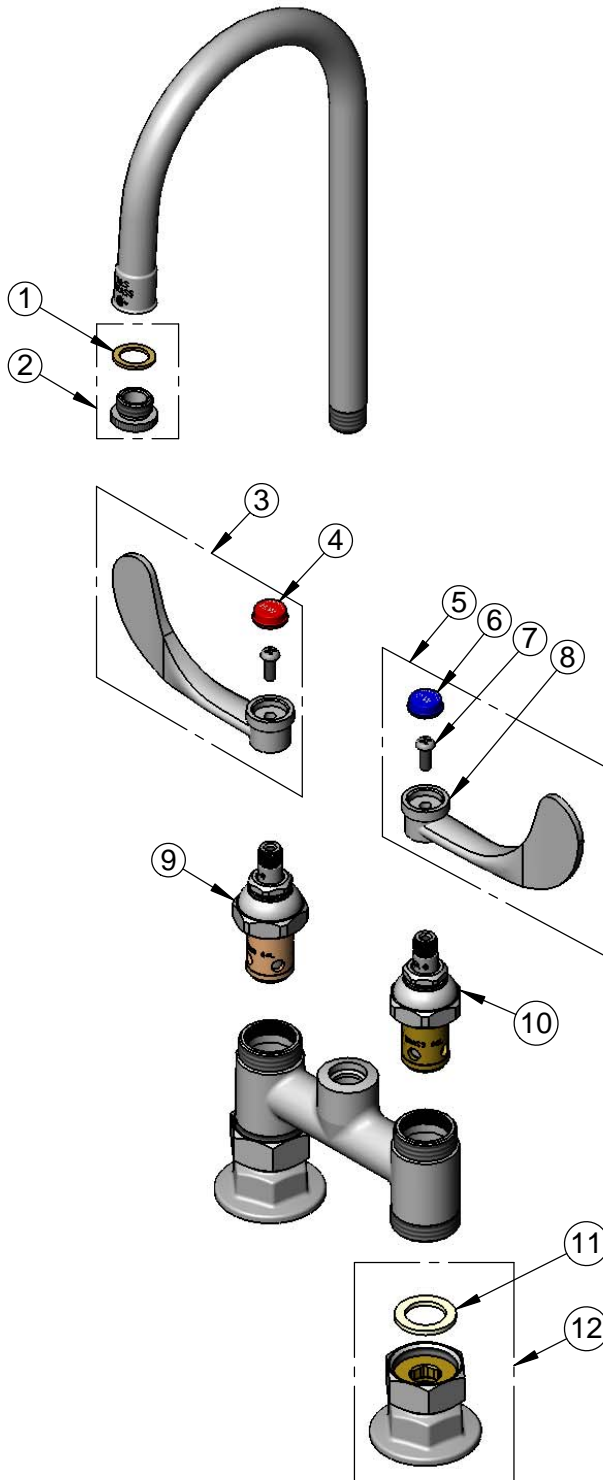


T&S BRASS AND BRONZE WORKS, INC.
 2 Saddleback Cove / P.O. Box 1088
 Travelers Rest, SC 29690

Model No.
B-0324-04

Item No.

Travelers Rest, SC: 800-476-4103 • Simi Valley, CA: 800-423-0150 • Fax: 864-834-3518 • www.tsbrass.com



ITEM NO.	SALES NO.	DESCRIPTION
1	001043-45	Washer
2	B-LT	Stream Regulator Outlet
3	B-WH4H	4" Wrist Action Handle, Screw & Hot Index
4	001194-45	Red Index - HW
5	B-WH4C	4" Wrist Action Handle, Screw & Cold Index
6	001686-45	Blue Index - CW
7	000925-45	Lab Handle Screw
8	B-WH4	4" Wrist Action Handle
9	006010-40	Eterna Cartridge, RTC (Teflon)
10	006009-40	Eterna Cartridge, LTC (Teflon)
11	001019-45	Coupling Nut Washer
12	00AA	1/2" NPT Female Eccentric Flange

Product Specifications:
 4" Deck Mount Mixing Faucet, Eterna Cartridges, 4" Wrist Action Handles, 5 1/2" Rigid Gooseneck w/ Rosespray Outlet & 1/2" NPT Female Inlets

Product Compliance:
 ASME A112.18.1 / CSA B125.1
 NSF 61 - Section 9
 NSF 372 (Low Lead Content)
 ANSI A117.1 (ADA)