



**T&S BRASS AND BRONZE WORKS, INC.**  
 2 Saddleback Cove / P.O. Box 1088  
 Travelers Rest, SC 29690

Model No.  
**B-0322-04**

Item No.

Travelers Rest, SC: 800-476-4103 • Simi Valley, CA: 800-423-0150 • Fax: 864-834-3518 • www.tsbrass.com



**ADA Compliant**

This Space for Architect/Engineer Approval

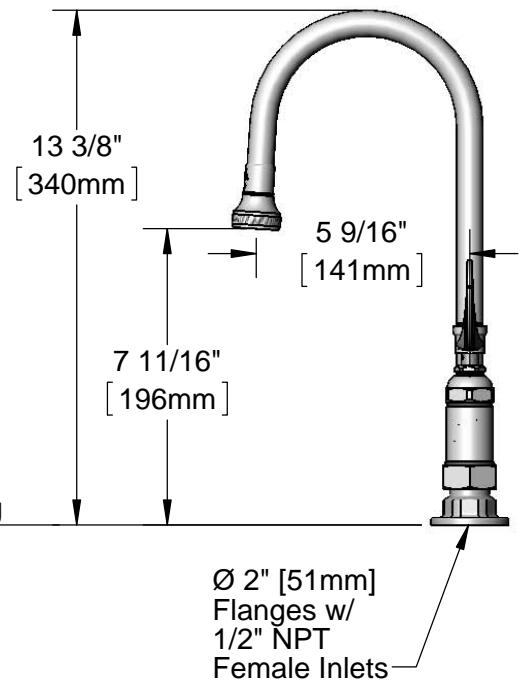
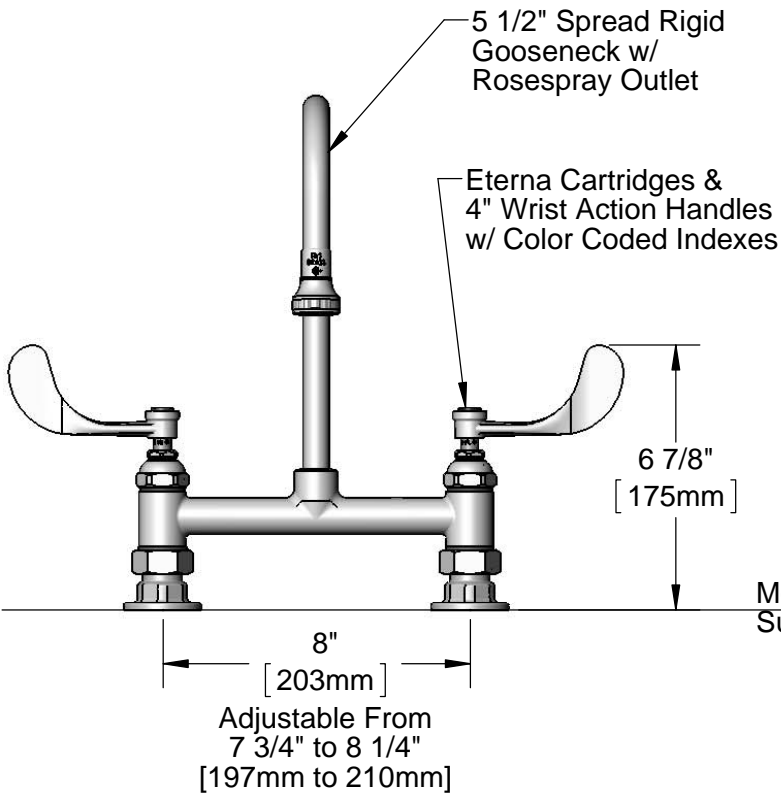
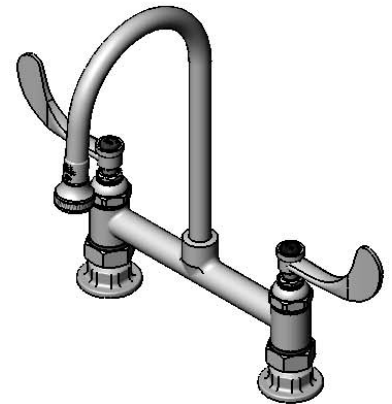
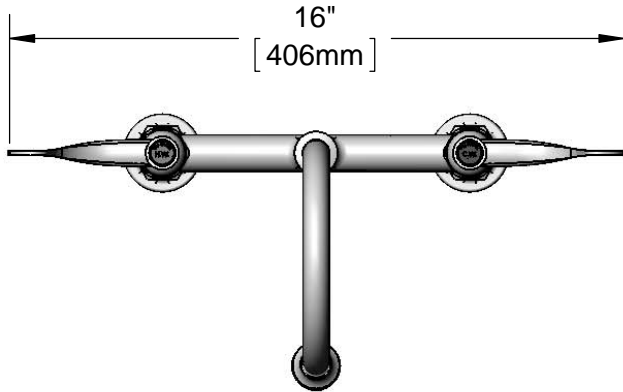
Job Name \_\_\_\_\_ Date \_\_\_\_\_

Model Specified \_\_\_\_\_ Quantity \_\_\_\_\_

Customer/Wholesaler \_\_\_\_\_

Contractor \_\_\_\_\_

Architect/Engineer \_\_\_\_\_



**Product Specifications:**

8" Deck Mount Mixing Faucet w/ Eterna Cartridges, 4" Wrist Action Handles, 5 1/2" Spread Rigid Gooseneck w/ Rosespray & 1/2" NPT Female Inlets

**Product Compliance:**

ASME A112.18.1 / CSA B125.1  
 NSF 61 - Section 9  
 NSF 372 (Low Lead Content)  
 ANSI A117.1 (ADA)

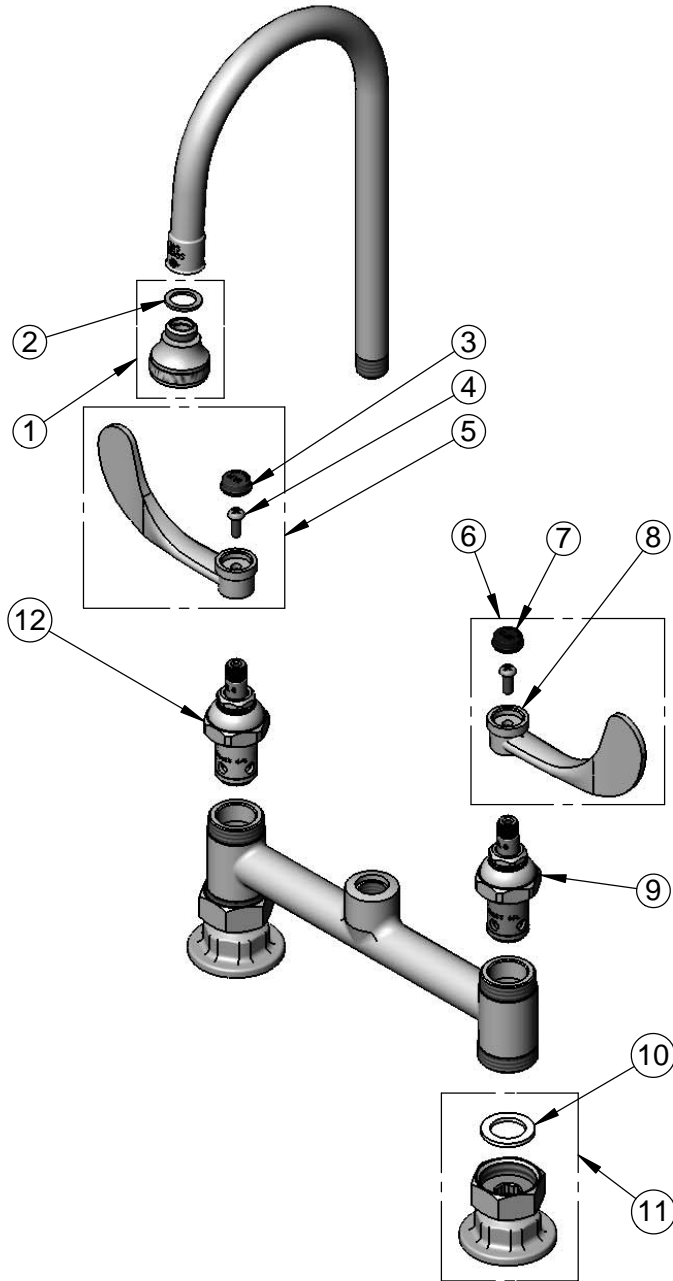


**T&S BRASS AND BRONZE WORKS, INC.**  
 2 Saddleback Cove / P.O. Box 1088  
 Travelers Rest, SC 29690

Model No.  
**B-0322-04**

Item No.

Travelers Rest, SC: 800-476-4103 • Simi Valley, CA: 800-423-0150 • Fax: 864-834-3518 • www.tsbrass.com



ITEM NO.	SALES NO.	DESCRIPTION
1	B-0103	Rosespray w/ Washer
2	001043-45	Washer
3	001194-45	Red HW Index
4	000925-45	Lab Handle Screw
5	B-WH4H	4" Wrist Action Handle, Screw & Hot Index
6	B-WH4C	4" Wrist Action Handle, Screw & Cold Index
7	001686-45	Blue CW Index
8	B-WH4	4" Wrist Action Handle
9	006009-40	Eterna Cartridge, LTC (Teflon)
10	001019-45	Coupling Nut Washer
11	00AA	1/2" NPT Female Eccentric Flange
12	006010-40	Eterna Cartridge, RTC (Teflon)

**Product Specifications:**

8" Deck Mount Mixing Faucet w/ Eterna Cartridges, 4" Wrist Action Handles, 5 1/2" Spread Rigid Gooseneck w/ Rosespray & 1/2" NPT Female Inlets

**Product Compliance:**

ASME A112.18.1 / CSA B125.1  
 NSF 61 - Section 9  
 NSF 372 (Low Lead Content)  
 ANSI A117.1 (ADA)