



T&S BRASS AND BRONZE WORKS, INC.

2 Saddleback Cove / P.O. Box 1088
Travelers Rest, SC 29690

Model No.

B-0321-CC-CR

Item No.

Travelers Rest, SC: 800-476-4103 • Simi Valley, CA: 800-423-0150 • Fax: 864-834-3518 • www.tsbrass.com

This Space for Architect/Engineer Approval

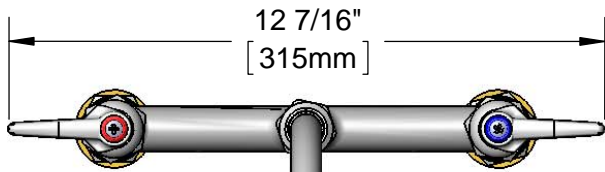
Job Name _____ Date _____

Model Specified _____ Quantity _____

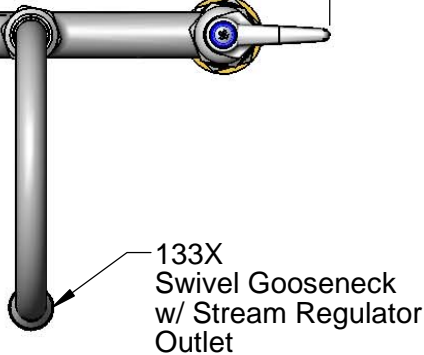
Customer/Wholesaler _____

Contractor _____

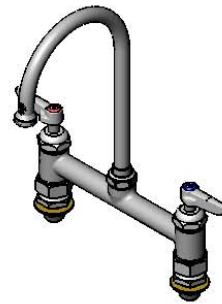
Architect/Engineer _____



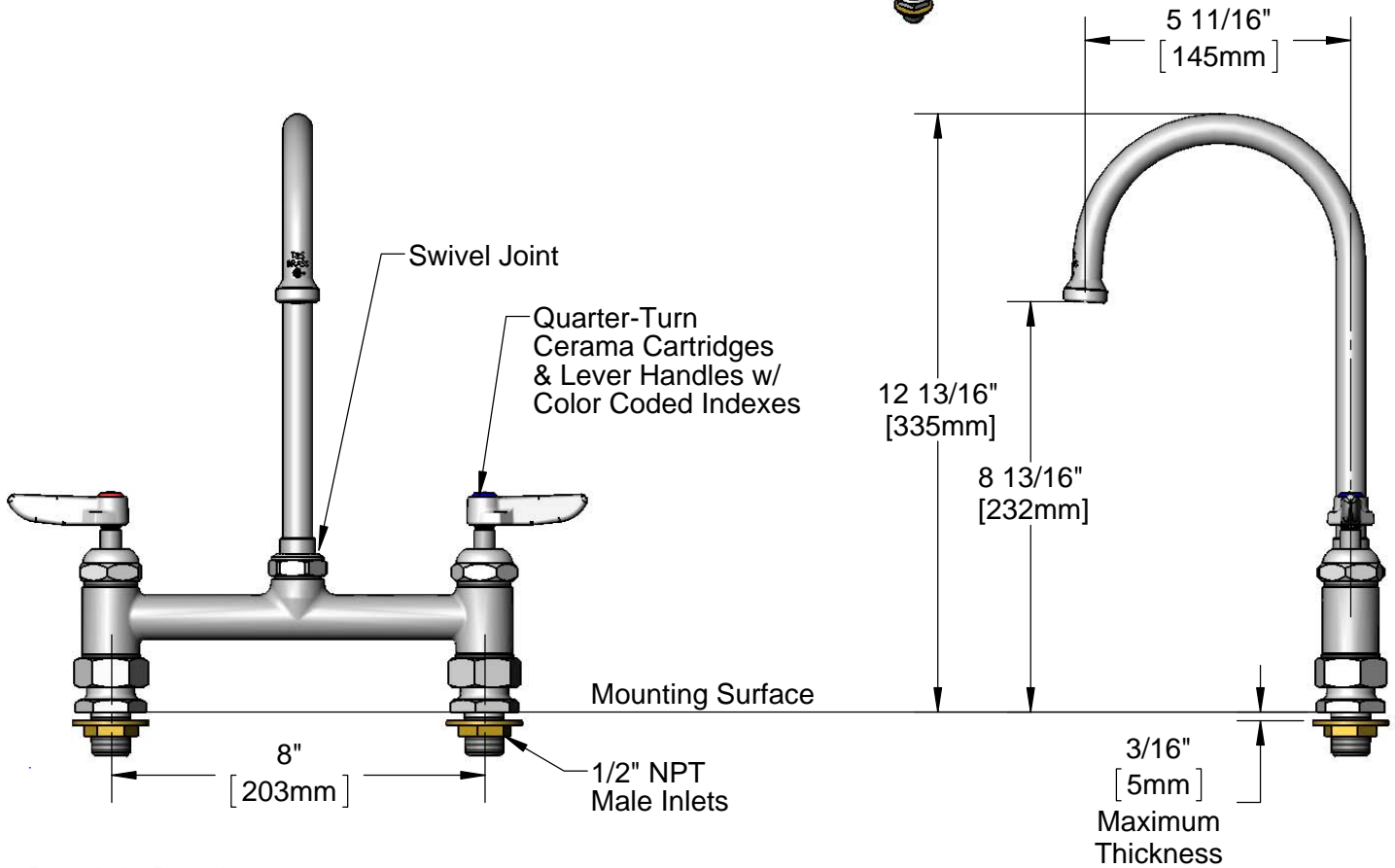
12 7/16"
[315mm]



133X
Swivel Gooseneck
w/ Stream Regulator
Outlet



ADA Compliant



5 11/16"
[145mm]

Swivel Joint

Quarter-Turn
Cerama Cartridges
& Lever Handles w/
Color Coded Indexes

12 13/16"
[335mm]

8 13/16"
[232mm]

Mounting Surface

8"

[203mm]

1/2" NPT
Male Inlets

3/16"
[5mm]

Maximum
Thickness

Rough-In Requirement:
(2) ϕ 1" [25mm] Mounting Holes

Product Specifications:
8" Deck Mount Mixing Faucet, Quarter-Turn Cerama Cartridges, Lever
Handles, Swivel Gooseneck w/ Stream Regulator Outlet & 1/2" NPT Male
Inlets

Product Compliance:
ASME A112.18.1 / CSA B125.1
NSF 61 - Section 9
NSF 372 (Low Lead Content)
ANSI A117.1 (ADA)

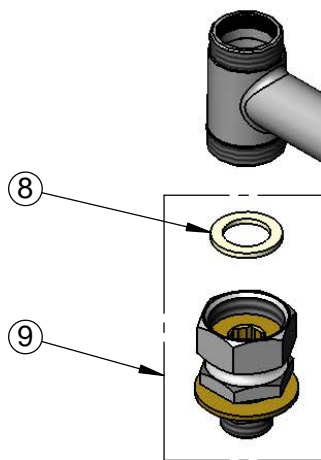
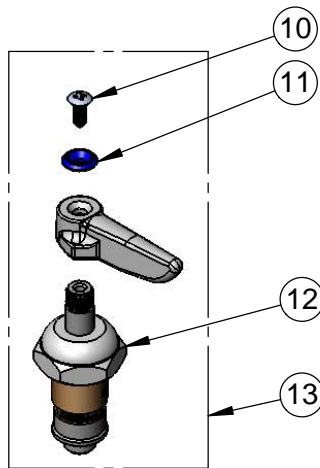
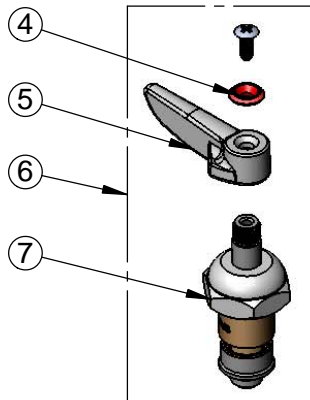
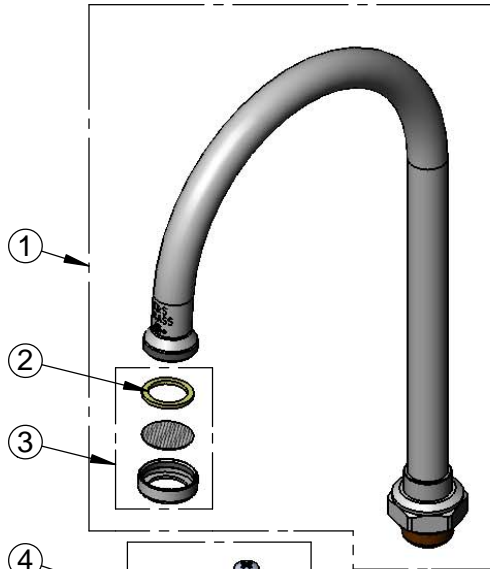


T&S BRASS AND BRONZE WORKS, INC.
 2 Saddleback Cove / P.O. Box 1088
 Travelers Rest, SC 29690

Model No.
B-0321-CC-CR
 Item No.

Travelers Rest, SC: 800-476-4103 • Simi Valley, CA: 800-423-0150 • Fax: 864-834-3518 • www.tsbrass.com

ITEM NO.	SALES NO.	DESCRIPTION
1	133X	Swivel Gooseneck
2	001048-45	Nozzle Tip Washer
3	B-PT	Stream Regulator Outlet
4	001661-45	Red Index-HW
5	001638-45	Lever Handle
6	012444-25	Quarter-Turn Cerama Cartridge, RTC w/ Handle, Index & Screw
7	011278-25	Quarter-Turn Cerama Cartridge, RTC
8	001019-45	Coupling Nut Washer
9	00CC	Male Inlet, 1/2" NPT
10	000922-45	Lever Handle Screw
11	001660-45	Blue Index-CW
12	011279-25	Cerama Cartridge LTC
13	012445-25	Quarter-Turn Cerama Cartridge, LTC w/ Handle, Index & Screw



Product Specifications:

8" Deck Mount Mixing Faucet, Quarter-Turn Cerama Cartridges, Lever Handles, Swivel Gooseneck w/ Stream Regulator Outlet & 1/2" NPT Male Inlets

Product Compliance:

ASME A112.18.1 / CSA B125.1
 NSF 61 - Section 9
 NSF 372 (Low Lead Content)
 ANSI A117.1 (ADA)