



T&S BRASS AND BRONZE WORKS, INC.

2 Saddleback Cove / P.O. Box 1088
Travelers Rest, SC 29690

Model No.

B-0319

Item No.

Travelers Rest, SC: 800-476-4103 • Simi Valley, CA: 800-423-0150 • Fax: 864-834-3518 • www.tsbrass.com



ADA Compliant

This Space for Architect/Engineer Approval

Job Name _____ Date _____

Model Specified _____ Quantity _____

Customer/Wholesaler _____

Contractor _____

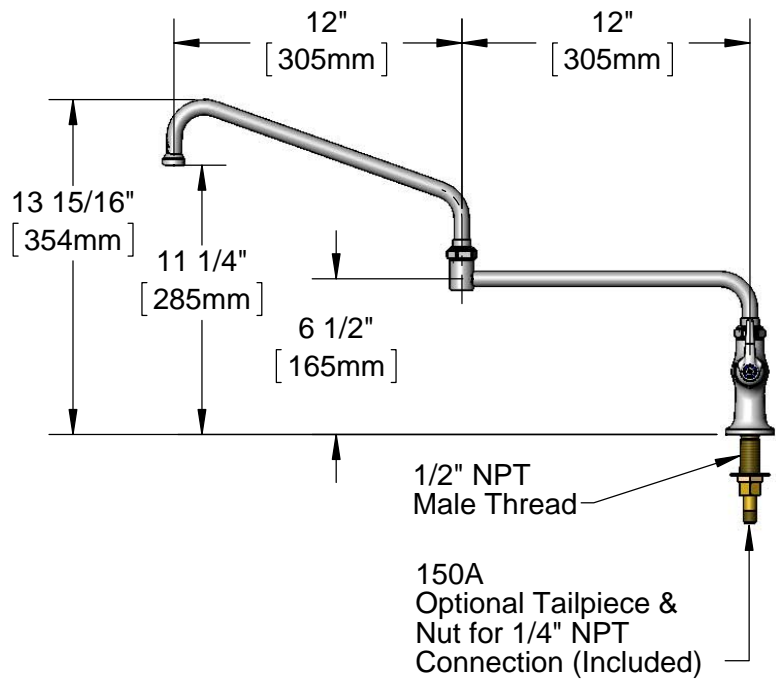
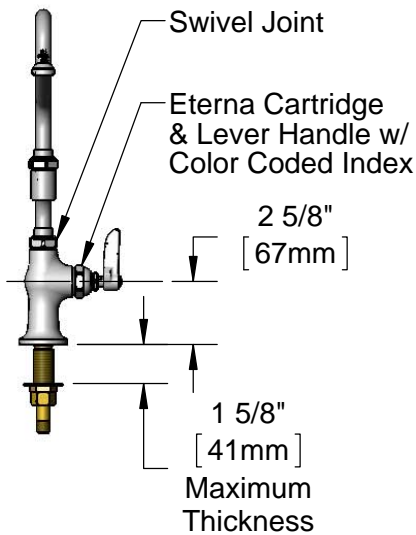
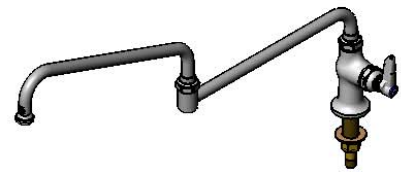
Architect/Engineer _____



B-1912-09
12" Back Section
Swing Nozzle



B-1912-14
12" Swing Nozzle
w/ B-PT Stream Regulator



Rough-In Requirement:
Ø 1" [25mm] Mounting Hole

Product Specifications:

Single Hole Single Temperature Deck Mount Faucet, Eterna Cartridge, Lever Handle, 24" Double Joint Swing Nozzle w/ Swivel Body & Stream Regulator Outlet and 1/2" NPT Male Inlet

Product Compliance:

ASME A112.18.1 / CSA B125.1
NSF 61 - Section 9
NSF 372 (Low Lead Content)
ANSI A117.1 (ADA)



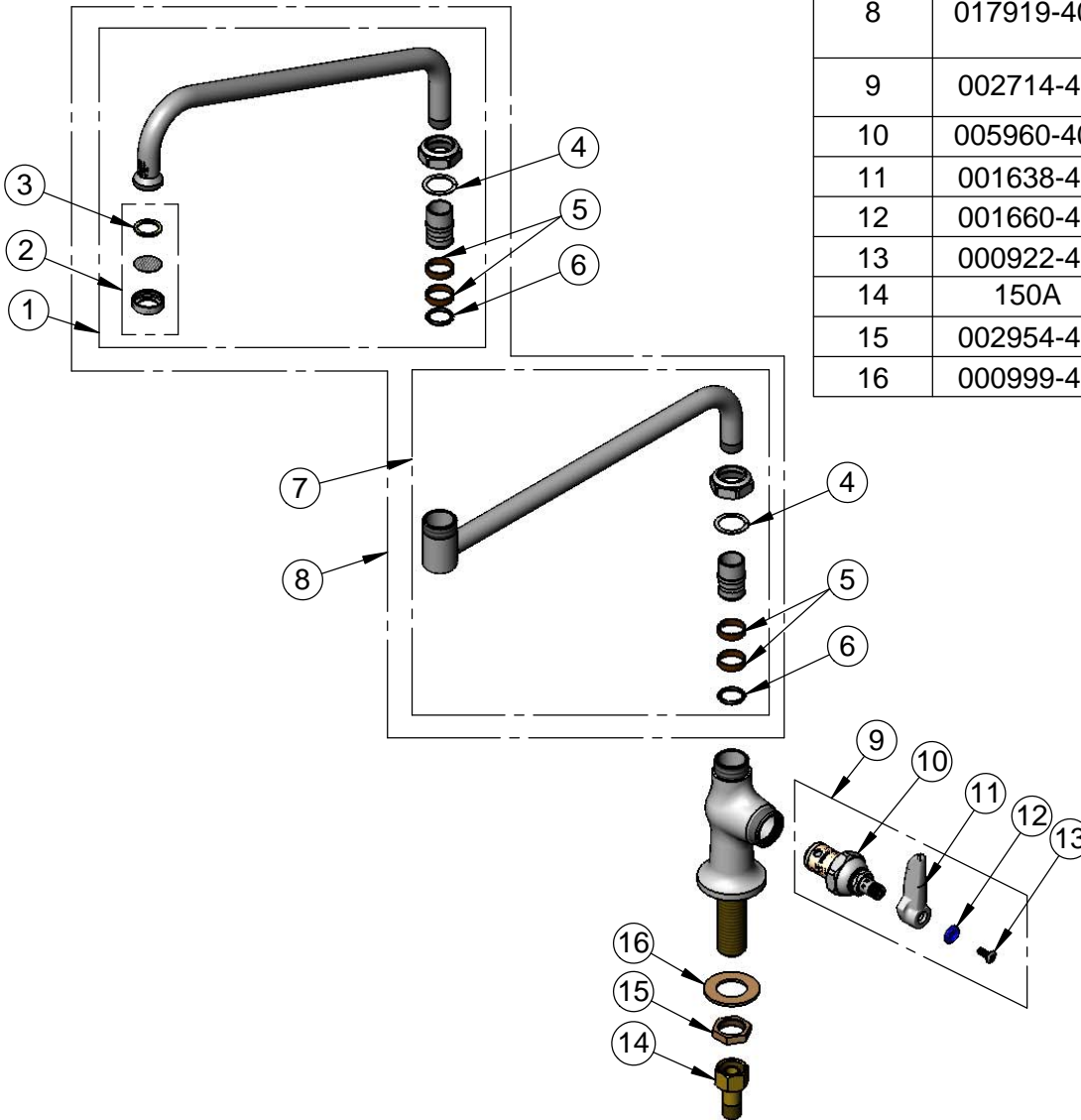
T&S BRASS AND BRONZE WORKS, INC.
 2 Saddleback Cove / P.O. Box 1088
 Travelers Rest, SC 29690

Model No.
B-0319

Item No.

Travelers Rest, SC: 800-476-4103 • Simi Valley, CA: 800-423-0150 • Fax: 864-834-3518 • www.tsbrass.com

ITEM NO.	SALES NO.	DESCRIPTION
1	062X	12" Double Joint Swing Nozzle w/ Stream Regulator Outlet
2	B-PT	Stream Regulator Outlet
3	001048-45	Nozzle Tip Washer
4	009538-45	Swivel Washer
5	011429-45	Swivel Sleeves (2)
6	001074-45	O-Ring
7	002871-40	Double Joint 12' Swing Nozzle Back Section
8	017919-40	24" Double Joint Swing Nozzle w/ Stream Regulator Outlet
9	002714-40	Eterna Cartridge, RTC w/ Handle, Index & Screw
10	005960-40	Cerama Cartridge, RTC
11	001638-45	Lever Handle
12	001660-45	Blue Index-CW
13	000922-45	Lever Handle Screw
14	150A	1/4" NPT Tailpiece & Nut
15	002954-45	Shank Lock Nut
16	000999-45	Brass Lock Washer



Product Specifications:
 Single Hole Single Temperature Deck Mount Faucet, Eterna Cartridge, Lever Handle, 24" Double Joint Swing Nozzle w/ Swivel Body & Stream Regulator Outlet and 1/2" NPT Male Inlet

Product Compliance:
 ASME A112.18.1 / CSA B125.1
 NSF 61 - Section 9
 NSF 372 (Low Lead Content)
 ANSI A117.1 (ADA)