



T&S BRASS AND BRONZE WORKS, INC.
 2 Saddleback Cove / P.O. Box 1088
 Travelers Rest, SC 29690

Model No.
B-0319-03

Item No.

Travelers Rest, SC: 800-476-4103 • Simi Valley, CA: 800-423-0150 • Fax: 864-834-3518 • www.tsbrass.com



ADA Compliant

This Space for Architect/Engineer Approval

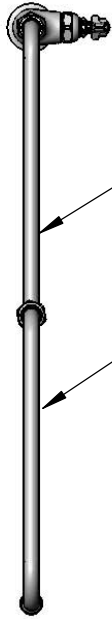
Job Name _____ Date _____

Model Specified _____ Quantity _____

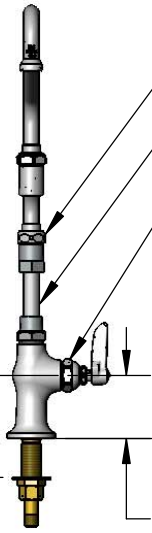
Customer/Wholesaler _____

Contractor _____

Architect/Engineer _____



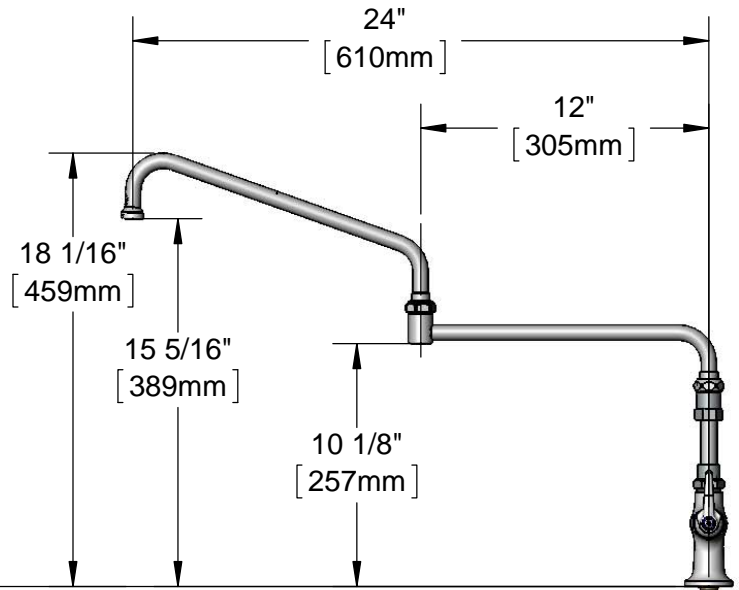
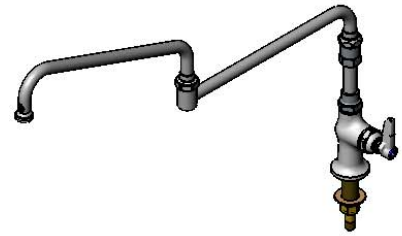
12" Back Section
 Swing Nozzle



Swivel Joint
 4 5/8" Straight
 Swivel Extension
 Eterna Cartridge
 & Lever Handle w/
 Color Coded Index

1 5/8"
 [41mm]
 Maximum
 Thickness

2 5/8"
 [67mm]



1/2" NPT
 Male Inlet

150A
 Optional Tailpiece &
 Nut for 1/4" NPT
 Connection (Included)

Rough-In Requirement:
 ϕ 1" [25mm] Mounting Hole

Product Specifications:
 Single Hole Single Temperature Deck Mount Faucet, Eterna Cartridge, Lever
 Handle, 24" Double Joint Swing Nozzle w/ Swivel Body & Stream Regulator
 Outlet, 4 5/8" Extension and 1/2" NPT Male Inlet

Product Compliance:
 ASME A112.18.1 / CSA B125.1
 NSF 61 - Section 9
 NSF 372 (Low Lead Content)
 ANSI A117.1 (ADA)



T&S BRASS AND BRONZE WORKS, INC.
 2 Saddleback Cove / P.O. Box 1088
 Travelers Rest, SC 29690

Model No.
B-0319-03

Item No.

Travelers Rest, SC: 800-476-4103 • Simi Valley, CA: 800-423-0150 • Fax: 864-834-3518 • www.tsbrass.com

ITEM NO.	SALES NO.	DESCRIPTION
1	062X	B-0205 Faucet Body, Swivel
2	B-PT	Stream Regulator Outlet
3	001048-45	Nozzle Tip Washer
4	009538-45	Swivel Washer
5	011429-45	Swivel Sleeves (2)
6	001074-45	O-Ring
7	002871-40	Double Joint 12" Swing Nozzle Back Section
8	017919-40	24" Double Joint Swing Nozzle w/ Stream Regulator Outlet
9	054X	Swivel Body
10	B-1912-11	4 5/8" Straight Swivel Extension
11	005960-40	Eterna Cartridge, RTC
12	001638-45	Lever Handle
13	001660-45	Blue Index-CW
14	000922-45	Lever Handle Screw
15	000999-45	Brass Lock Washer
16	002954-45	Shank Lock Nut
17	150A	1/4" NPT Tailpiece & Nut

Product Specifications:
 Single Hole Single Temperature Deck Mount Faucet, Eterna Cartridge, Lever Handle, 24" Double Joint Swing Nozzle w/ Swivel Body & Stream Regulator Outlet, 4 5/8" Extension and 1/2" NPT Male Inlet

Product Compliance:
 ASME A112.18.1 / CSA B125.1
 NSF 61 - Section 9
 NSF 372 (Low Lead Content)
 ANSI A117.1 (ADA)