



T&S BRASS AND BRONZE WORKS, INC.

2 Saddleback Cove / P.O. Box 1088
Travelers Rest, SC 29690

Model No.

B-0318-02

Item No.

Travelers Rest, SC: 800-476-4103 • Simi Valley, CA: 800-423-0150 • Fax: 864-834-3518 • www.tsbrass.com

This Space for Architect/Engineer Approval

Job Name _____ Date _____

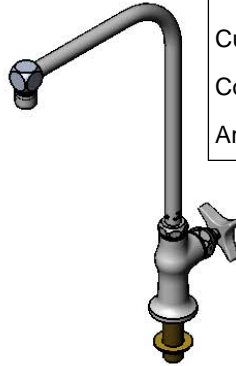
Model Specified _____ Quantity _____

Customer/Wholesaler _____

Contractor _____

Architect/Engineer _____

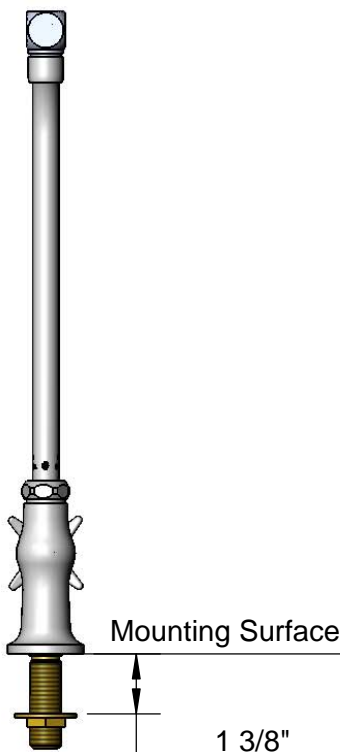
Quarter-Turn Eterna Cartridges w/ Spring Check & 4-Arm Handle w/ Red Color Coded Index



90° Swing Nozzle w/ 360° Rotation & B-0199-01 2.2 GPM Aerator

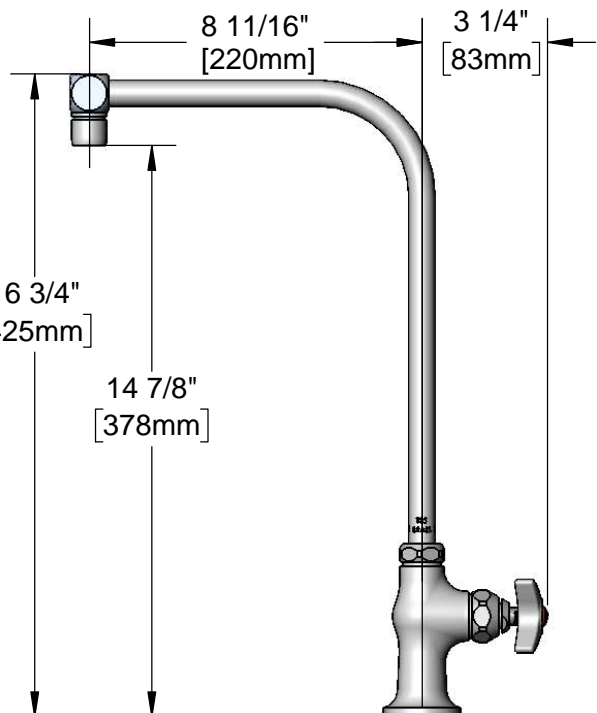


ADA Compliant



Mounting Surface

1 3/8" [35mm] Maximum Thickness



150A Optional Tailpiece & Nut for 1/4" NPT Connection (Included)

1/2" NPSM Male Inlet

Rough-in Requirement: Ø1" [25mm] Hole

Product Specifications:

Single Hole Single Temperature Deck Mount Faucet with Polished Chromed Plated Brass Body, 8 11/16" 90 degree swing Nozzle w/ 2.2 GPM Aerator, Quarter-Turn Eterna Cartridge w/ Spring Check, 4 Arm Handle & Red Color Coded Index

Product Compliance:

ASME A112.18.1 / CSA B125.1
NSF 61 - Section 9
NSF 372 (Low Lead Content)
ANSI A117.1 (ADA)



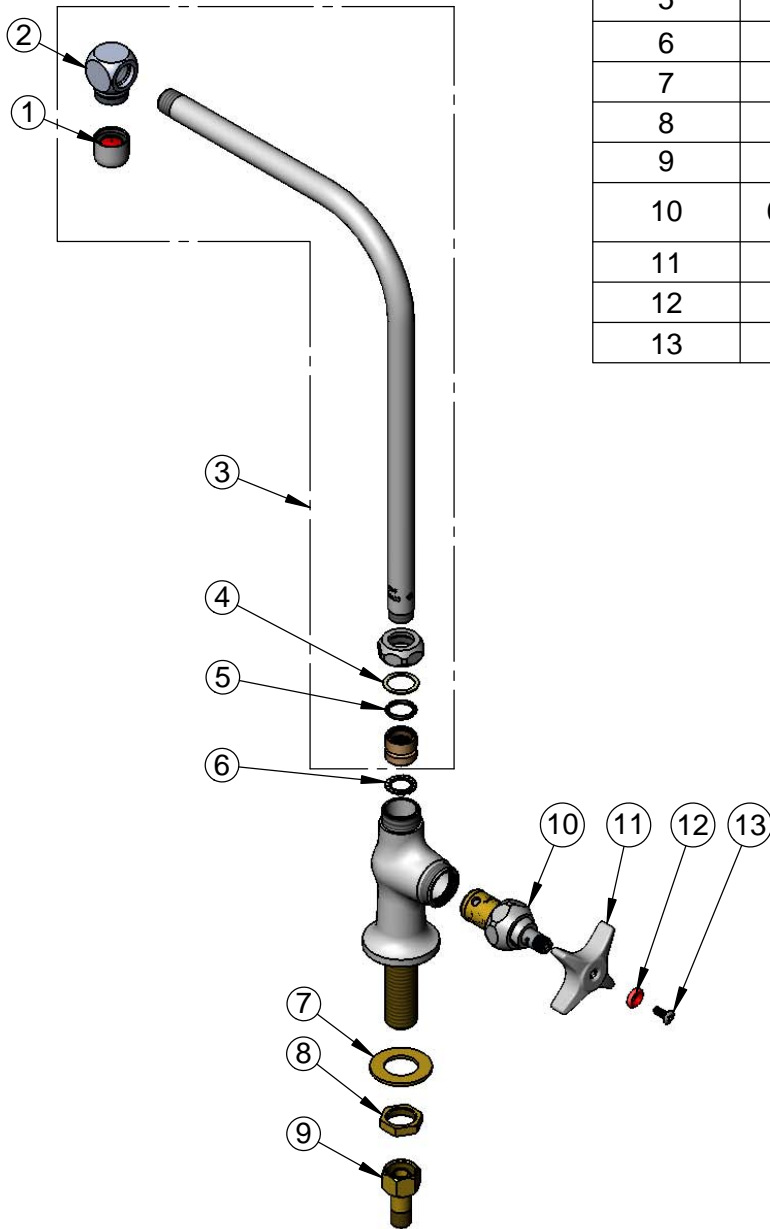
T&S BRASS AND BRONZE WORKS, INC.
 2 Saddleback Cove / P.O. Box 1088
 Travelers Rest, SC 29690

Model No.
B-0318-02

Item No.

Travelers Rest, SC: 800-476-4103 • Simi Valley, CA: 800-423-0150 • Fax: 864-834-3518 • www.tsbrass.com

ITEM NO.	SALES NO.	DESCRIPTION
1	B-0199-01	2.2 GPM Aerator, 55/64"-27 UN Female
2	002823-40	Cube
3	017778-40	90° Swing Nozzle
4	001023-45	Swivel Binding Washer
5	001074-45	O-Ring
6	014200-45	Star Washer, Anti-Rotation
7	000999-45	Brass Lock Washer
8	002954-45	Shank Lock Nut
9	150A	1/4" NPT Tailpiece & Nut
10	012443-40NS	Quarter-Turn Eterna Cartridge w/ Spring Check, RTC
11	002521-45	4-Arm Handle
12	001661-45	Red Index-HW
13	000922-45	Lever Handle Screw



Product Specifications:

Single Hole Single Temperature Deck Mount Faucet with Polished Chromed Plated Brass Body, 8 11/16" 90 degree swing Nozzle w/ 2.2 GPM Aerator, Quarter-Turn Eterna Cartridge w/ Spring Check, 4 Arm Handle & Red Color Coded Index

Product Compliance:

ASME A112.18.1 / CSA B125.1
 NSF 61 - Section 9
 NSF 372 (Low Lead Content)
 ANSI A117.1 (ADA)