



# T&S BRASS AND BRONZE WORKS, INC.

2 Saddleback Cove / P.O. Box 1088  
Travelers Rest, SC 29690

Model No.

**B-0318-01**

Item No.

Travelers Rest, SC: 800-476-4103 • Simi Valley, CA: 800-423-0150 • Fax: 864-834-3518 • www.tsbrass.com

This Space for Architect/Engineer Approval

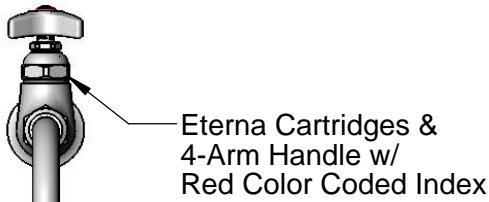
Job Name \_\_\_\_\_ Date \_\_\_\_\_

Model Specified \_\_\_\_\_ Quantity \_\_\_\_\_

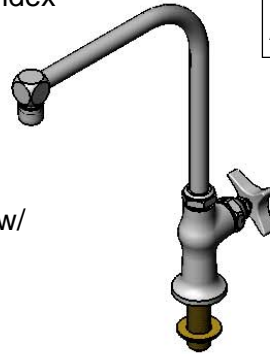
Customer/Wholesaler \_\_\_\_\_

Contractor \_\_\_\_\_

Architect/Engineer \_\_\_\_\_



Eterna Cartridges &  
4-Arm Handle w/  
Red Color Coded Index



90° Swing Nozzle w/  
360° Rotation &  
B-0199-01  
2.2 GPM Aerator

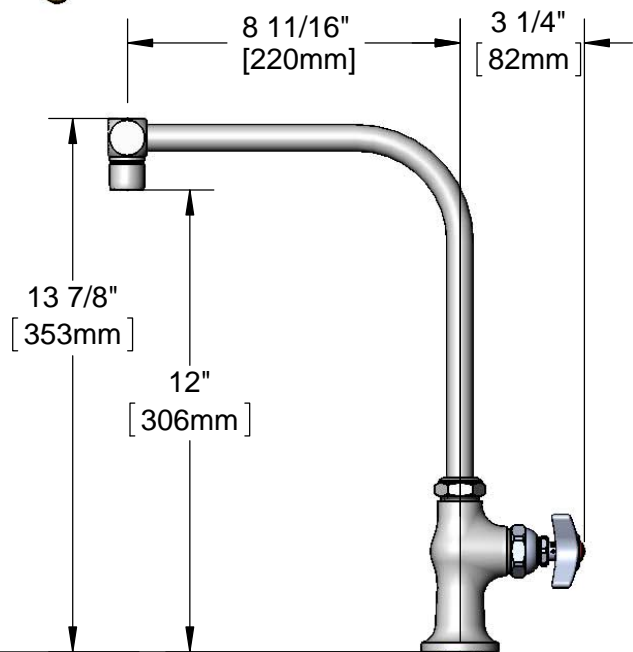


**ADA Compliant**



Mounting Surface

1 3/8"  
[35mm]  
Maximum  
Thickness



150A  
Optional Tailpiece &  
Nut for 1/4" NPT  
Connection  
(Included)

1/2" NPSM  
Male Inlet

**Rough-in Requirement: Ø1" [25mm] Hole**

**Product Specifications:**

Pot Filler Base & 13 7/8" (Overall Height) Swing Nozzle  
w/ 2.2 GPM Aerator, 4 Arm Handle & Red Color Coded Index

**Product Compliance:**

ASME A112.18.1 / CSA B125.1  
NSF 61 - Section 9  
NSF 372 (Low Lead Content)  
ANSI A117.1 (ADA)



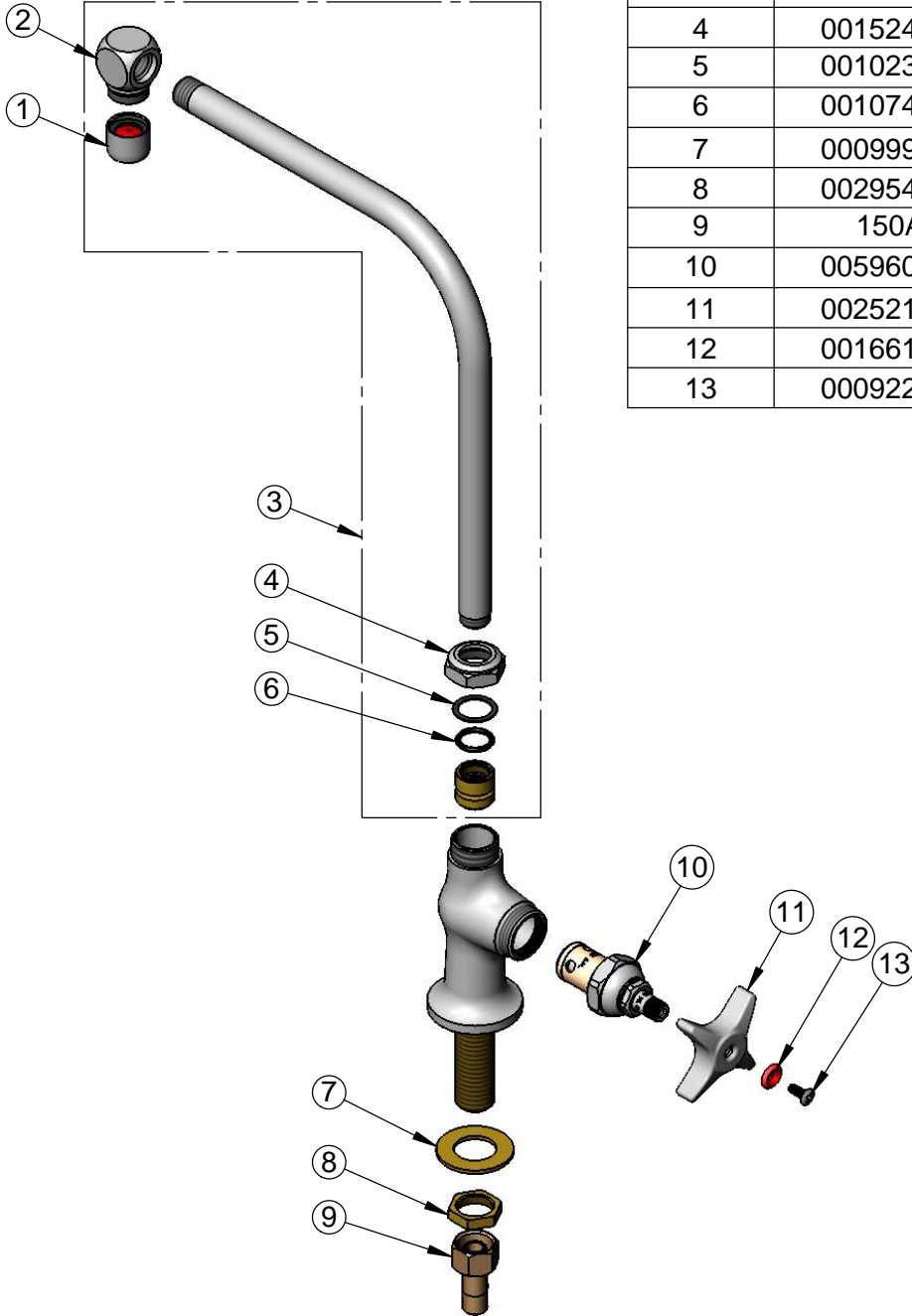
**T&S BRASS AND BRONZE WORKS, INC.**  
 2 Saddleback Cove / P.O. Box 1088  
 Travelers Rest, SC 29690

Model No.  
**B-0318-01**

Item No.

Travelers Rest, SC: 800-476-4103 • Simi Valley, CA: 800-423-0150 • Fax: 864-834-3518 • www.tsbrass.com

ITEM NO.	SALES NO.	DESCRIPTION
1	B-0199-01	2.2 GPM Aerator, 55/64"-27 UN Female
2	002823-40	Cube
3	017778-40	90° Swing Nozzle
4	001524-40	Swivel Nut
5	001023-45	Swivel Binding Washer
6	001074-45	O-Ring
7	000999-45	Brass Lock Washer
8	002954-45	Shank Lock Nut
9	150A	1/4" NPT Tailpiece & Nut
10	005960-40	Eterna Cartridge, RTC
11	002521-45	4-Arm Handle
12	001661-45	Red Index-HW
13	000922-45	Lever Handle Screw



Product Specifications:  
 Pot Filler Base & 13 7/8" (Overall Height) Swing Nozzle  
 w/ 2.2 GPM Aerator, 4 Arm Handle & Red Color Coded Index

Product Compliance:  
 ASME A112.18.1 / CSA B125.1  
 NSF 61 - Section 9  
 NSF 372 (Low Lead Content)  
 ANSI A117.1 (ADA)