



# T&S BRASS AND BRONZE WORKS, INC.

2 Saddleback Cove / P.O. Box 1088  
Travelers Rest, SC 29690

Model No.

**B-0317**

Item No.

Travelers Rest, SC: 800-476-4103 • Simi Valley, CA: 800-423-0150 • Fax: 864-834-3518 • www.tsbrass.com

This Space for Architect/Engineer Approval

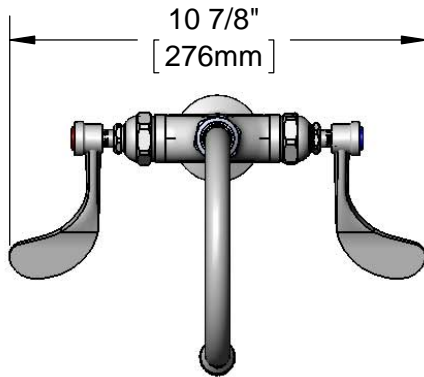
Job Name \_\_\_\_\_ Date \_\_\_\_\_

Model Specified \_\_\_\_\_ Quantity \_\_\_\_\_

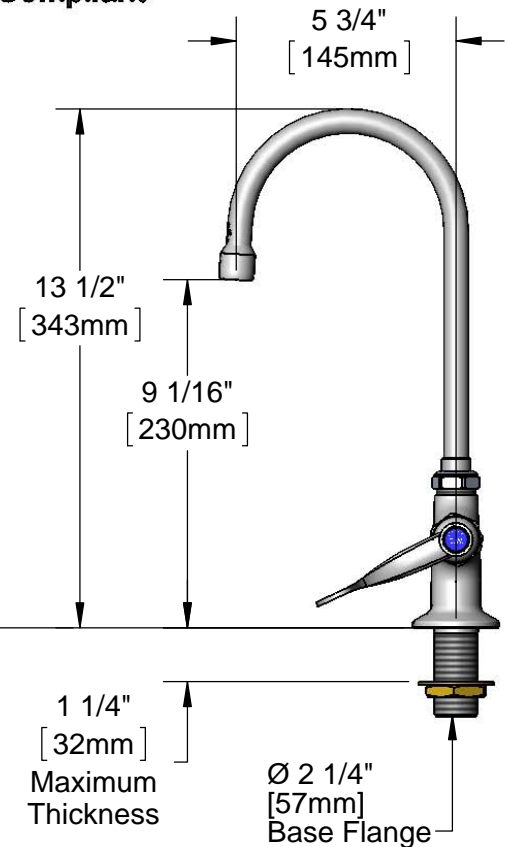
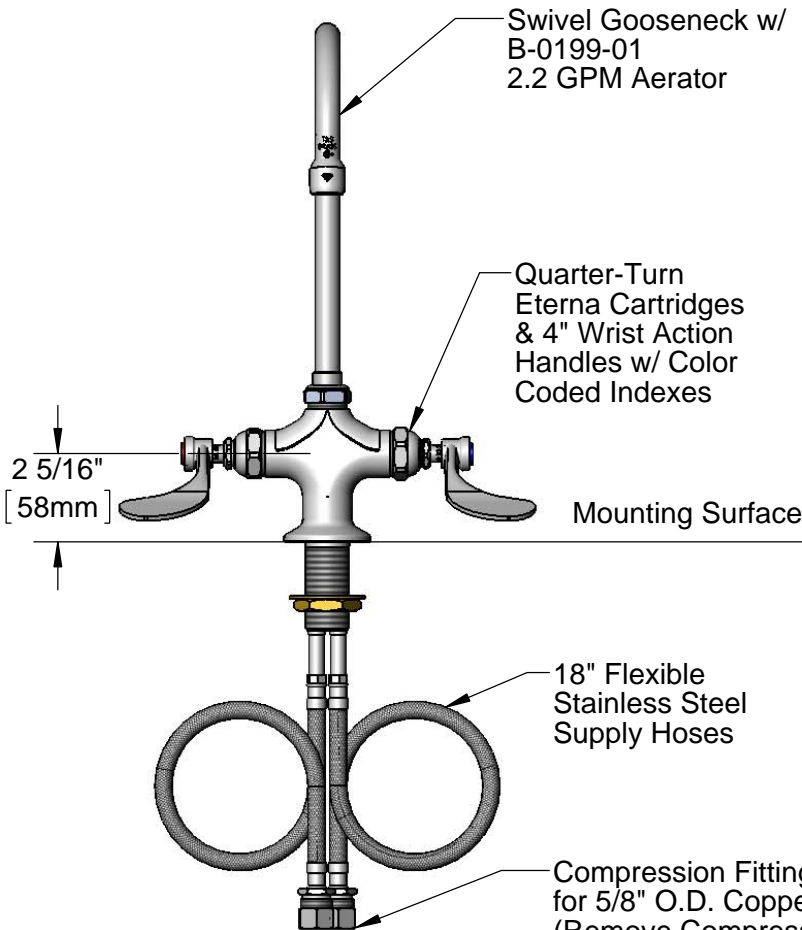
Customer/Wholesaler \_\_\_\_\_

Contractor \_\_\_\_\_

Architect/Engineer \_\_\_\_\_



**ADA Compliant**



Rough-In Requirement:  
Ø 1 1/2" [38mm] Mounting Hole

**Product Specifications:**

Single Hole Deck Mount Mixing Faucet, Quarter-Turn Eterna Cartridges, 4" Wrist Action Handles, 5 3/4" Swivel Gooseneck w/ 2.2 GPM Aerator, 18" Flexible Stainless Steel Supply Hoses w/ 1/2" NPSM Male Inlets

**Product Compliance:**

ASME A112.18.1 / CSA B125.1  
NSF 61 - Section 9  
NSF 372 (Low Lead Content)  
ANSI A117.1 (ADA)



# T&S BRASS AND BRONZE WORKS, INC.

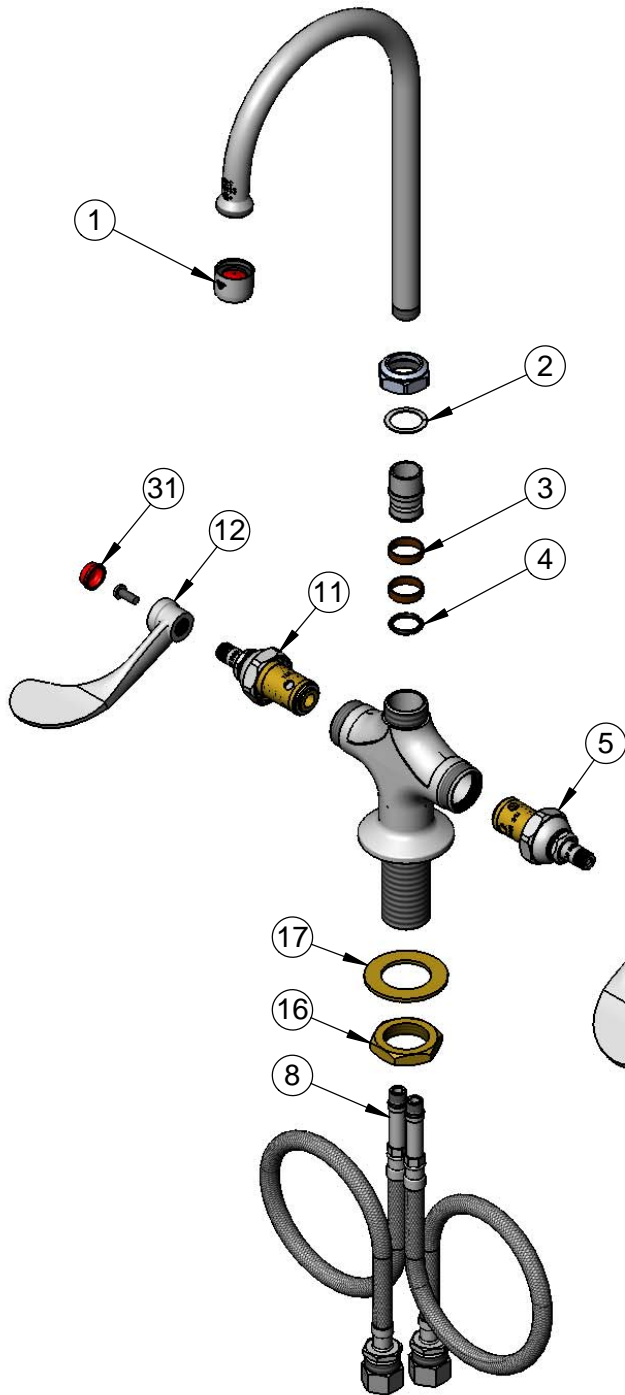
2 Saddleback Cove / P.O. Box 1088  
Travelers Rest, SC 29690

Model No.

**B-0317**

Item No.

Travelers Rest, SC: 800-476-4103 • Simi Valley, CA: 800-423-0150 • Fax: 864-834-3518 • www.tsbrass.com



ITEM NO.	SALES NO.	DESCRIPTION
1	B-0199-01	2.2 GPM Aerator, 55/64"-27 UN Female
2	009538-45	Swivel Washer
3	011429-45	Swivel Sleeves (2)
4	001074-45	O-Ring
5	006009QT-40	Quarter-Turn Eterna Cartridge, LTC
8	012534-45	18" Flexible Supply Hose (2)
11	006010-40	Quarter-Turn Eterna Cartridge, RTC
15		B-200 Body, Swivel Outlet
16	000965-45	Lock Nut
17	002290-45	Lock Washer
18	000789-20	Removable Insert, LH Thread
19	001022-45	Washer
20	009744-25	Cerama Cartridge, RTC
21	002601-45	Washer
22		Seal, Eterna Bonnet Packing
23	000718-25	Nut, Plated Packing
24		LTC Spindle (LH Thread)
25	000933-45	B-1100 Seat Washer Screw
26	001136-45	Seat Washer
27	001466-20	1/4 Turn Sleeve
28	000788-20	Removable Insert, RH Thread
29		RTC Spindle (RH Thread)
30	B-WH4	4" Wrist Action Handle
31	001194-45	Red Index - HW
32	001686-45	Blue Index - CW
33	000925-45	Lab Handle Screw

**Product Specifications:**

Single Hole Deck Mount Mixing Faucet, Quarter-Turn Eterna Cartridges, 4" Wrist Action Handles, 5 3/4" Swivel Gooseneck w/ 2.2 GPM Aerator, 18" Flexible Stainless Steel Supply Hoses w/ 1/2" NPSM Male Inlets

**Product Compliance:**

ASME A112.18.1 / CSA B125.1  
NSF 61 - Section 9  
NSF 372 (Low Lead Content)  
ANSI A117.1 (ADA)