

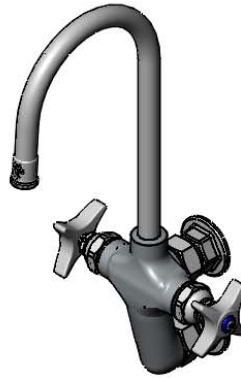
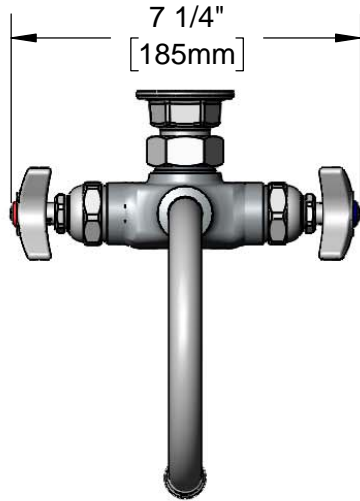


T&S BRASS AND BRONZE WORKS, INC.
 2 Saddleback Cove / P.O. Box 1088
 Travelers Rest, SC 29690

Model No.
B-0315

Item No.

Travelers Rest, SC: 800-476-4103 • Simi Valley, CA: 800-423-0150 • Fax: 864-834-3518 • www.tsbrass.com

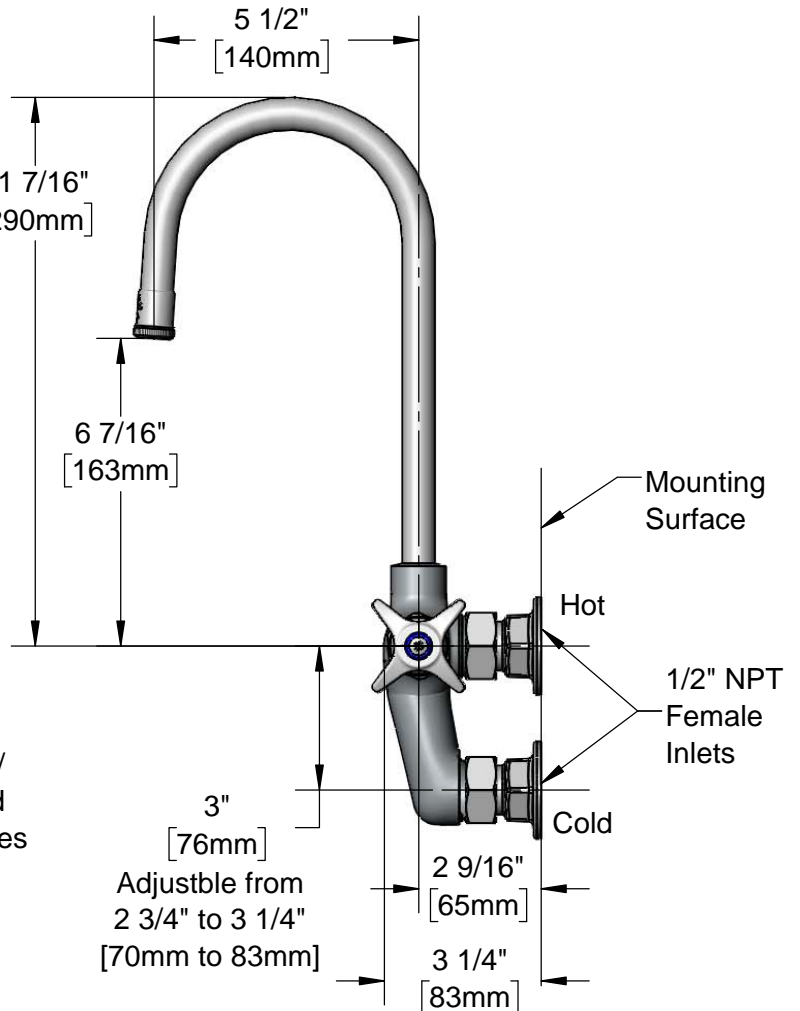
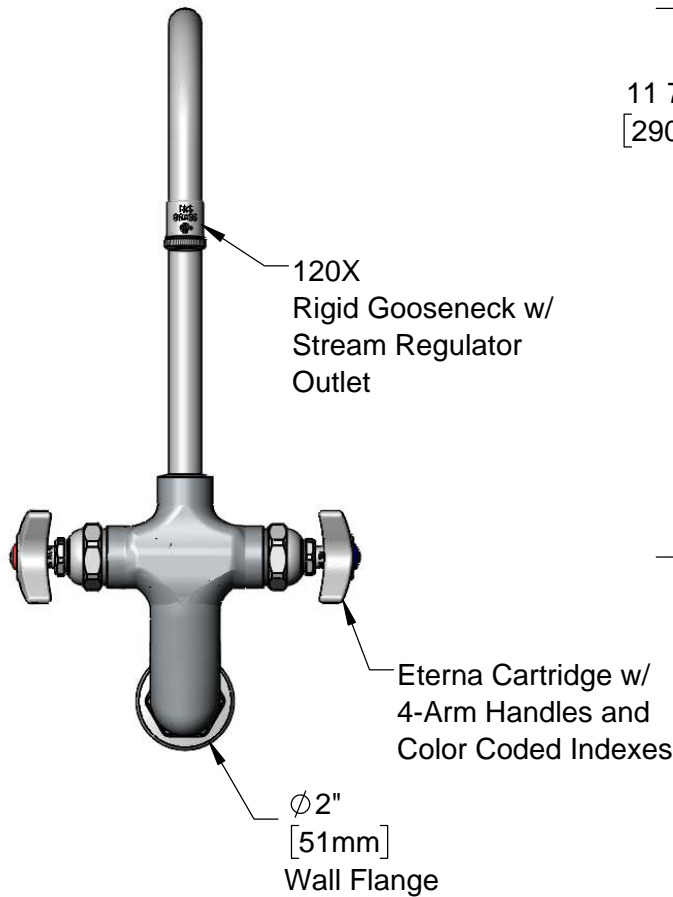


This Space for Architect/Engineer Approval

Job Name _____ Date _____
 Model Specified _____ Quantity _____
 Customer/Wholesaler _____
 Contractor _____
 Architect/Engineer _____



ADA Compliant



Product Specifications:
 Wall Mount Vertical Mixing Faucet, 5 1/2" Rigid Gooseneck w/ Stream Regulator Outlet, 4-Arm Handles and 1/2" NPT Female Inlets

Product Compliance:
 ASME A112.18.1 / CSA B125.1
 NSF 61 - Section 9
 NSF 372 (Low Lead Content)
 ANSI A117.1 (ADA)



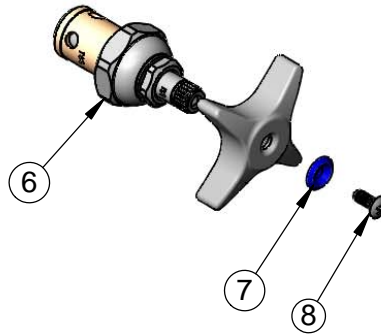
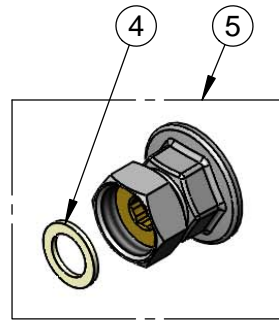
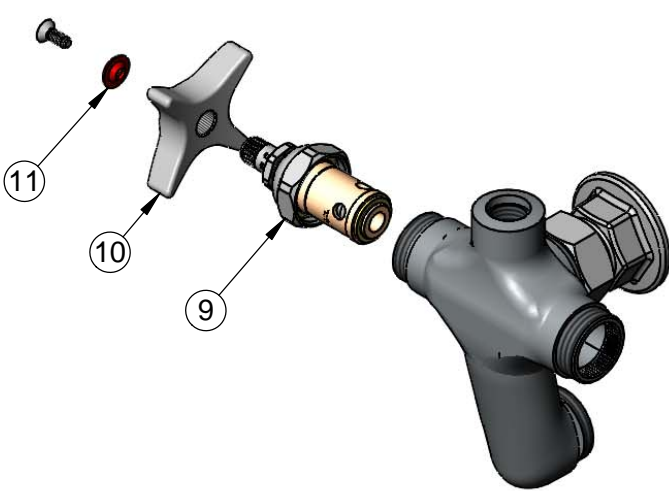
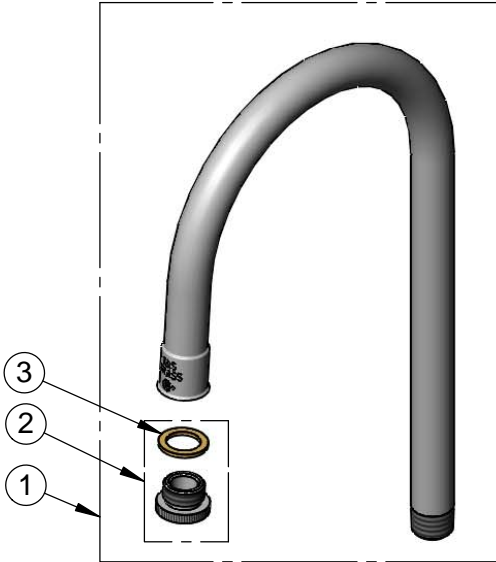
T&S BRASS AND BRONZE WORKS, INC.
 2 Saddleback Cove / P.O. Box 1088
 Travelers Rest, SC 29690

Model No.
B-0315

Item No.

Travelers Rest, SC: 800-476-4103 • Simi Valley, CA: 800-423-0150 • Fax: 864-834-3518 • www.tsbrass.com

ITEM NO.	SALES NO.	DESCRIPTION
1	120X	Rigid Gooseneck w/ Stream Regulator Outlet
2	B-LT	Stream Regulator Outlet
3	001043-45	Washer
4	001019-45	Coupling Nut Washer
5	00AA	1/2" NPT Female Eccentric Flange
6	005959-40	Eterna Cartridge, LTC
7	001660-45	Blue Index-CW
8	000922-45	Lever Handle Screw
9	005960-40	Eterna Cartridge, RTC
10	002521-45	4-Arm Handle
11	001661-45	Red Index-HW



Product Specifications:
 Wall Mount Vertical Mixing Faucet, 5 1/2" Rigid Gooseneck w/ Stream Regulator Outlet, 4-Arm Handles and 1/2" NPT Female Inlets

Product Compliance:
 ASME A112.18.1 / CSA B125.1
 NSF 61 - Section 9
 NSF 372 (Low Lead Content)
 ANSI A117.1 (ADA)