



T&S BRASS AND BRONZE WORKS, INC.

2 Saddleback Cove / P.O. Box 1088
Travelers Rest, SC 29690

Model No.

B-0310

Item No.

Travelers Rest, SC: 800-476-4103 • Simi Valley, CA: 800-423-0150 • Fax: 864-834-3518 • www.tsbrass.com



ADA Compliant

This Space for Architect/Engineer Approval

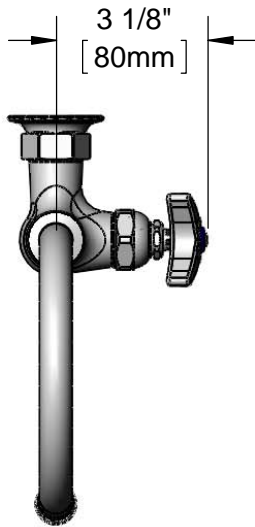
Job Name _____ Date _____

Model Specified _____ Quantity _____

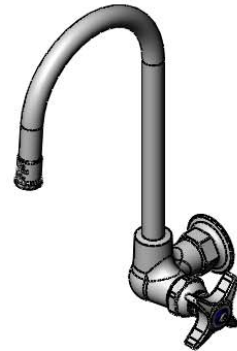
Customer/Wholesaler _____

Contractor _____

Architect/Engineer _____



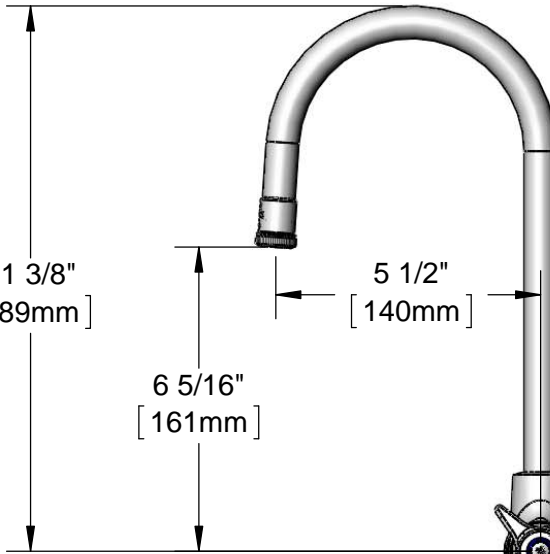
3 1/8"
[80mm]



120X
Rigid Gooseneck w/
Stream Regulator Outlet



11 3/8"
[289mm]



5 1/2"
[140mm]

6 5/16"
[161mm]

Eterna Cartridge &
4-Arm Handle w/
Color Coded (CW)
Index

Mounting
Surface

Ø 2" [51mm]
Flange w/
1/2" NPT
Female Inlet

2 9/16"
[66mm]

Product Specifications:

Single Supply Wall Mount Faucet, 5 1/2" Rigid Gooseneck w/ Stream Regulator Outlet, 4-Arm Handle & 1/2" NPT Female Inlet

Product Compliance:

ASME A112.18.1 / CSA B125.1
NSF 61 - Section 9
NSF 372 (Low Lead Content)
ANSI A117.1 (ADA)



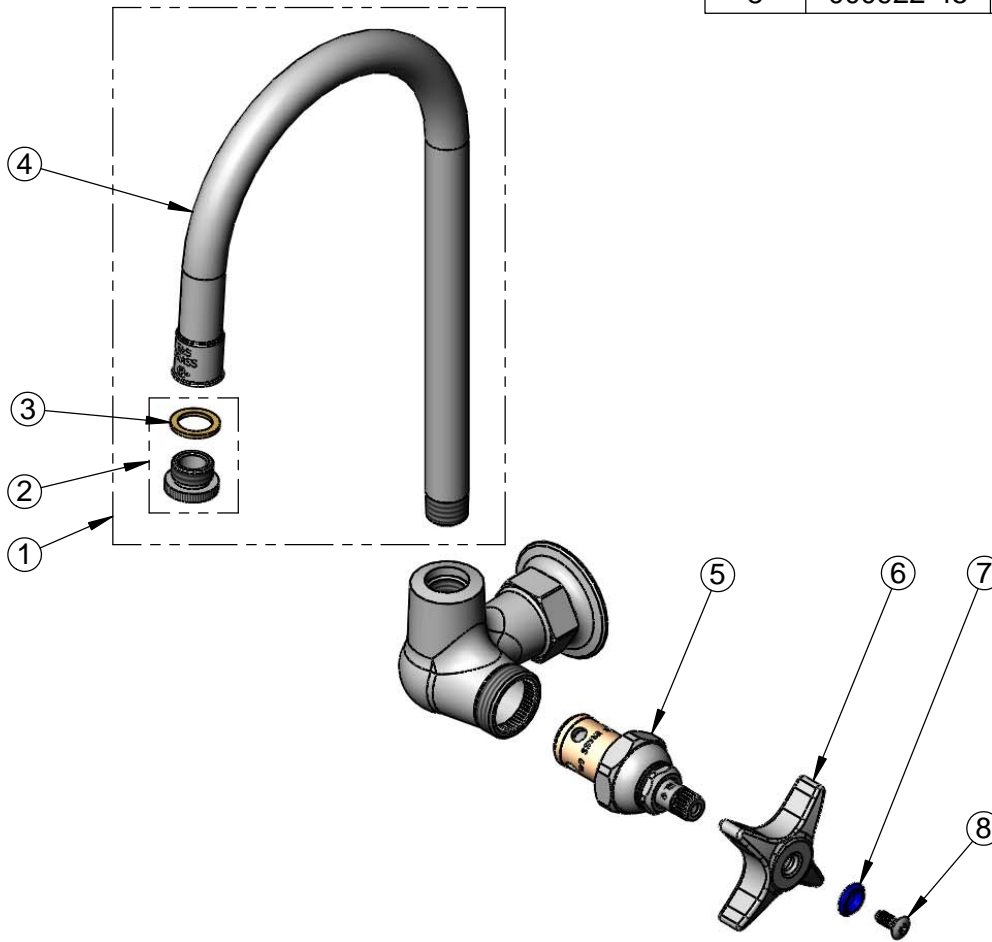
T&S BRASS AND BRONZE WORKS, INC.
 2 Saddleback Cove / P.O. Box 1088
 Travelers Rest, SC 29690

Model No.
B-0310

Item No.

Travelers Rest, SC: 800-476-4103 • Simi Valley, CA: 800-423-0150 • Fax: 864-834-3518 • www.tsbrass.com

ITEM NO.	SALES NO.	DESCRIPTION
1	120X	Rigid Gooseneck w/ Stream Regulator Outlet
2	B-LT	Stream Regulator Outlet
3	001043-45	Washer
4	000398-40	Rigid Gooseneck
5	005960-40	Eterna Cartridge, RTC
6	002521-45	4-Arm Handle
7	001660-45	Blue Index-CW
8	000922-45	Lever Handle Screw



Product Specifications:
 Single Supply Wall Mount Faucet, 5 1/2" Rigid Gooseneck w/ Stream Regulator Outlet, 4-Arm Handle & 1/2" NPT Female Inlet

Product Compliance:
 ASME A112.18.1 / CSA B125.1
 NSF 61 - Section 9
 NSF 372 (Low Lead Content)
 ANSI A117.1 (ADA)