



T&S BRASS AND BRONZE WORKS, INC.

2 Saddleback Cove / P.O. Box 1088
Travelers Rest, SC 29690

Model No.

B-0305-VR4

Item No.

Travelers Rest, SC: 800-476-4103 • Simi Valley, CA: 800-423-0150 • Fax: 864-834-3518 • www.tsbrass.com



ADA Compliant

This Space for Architect/Engineer Approval

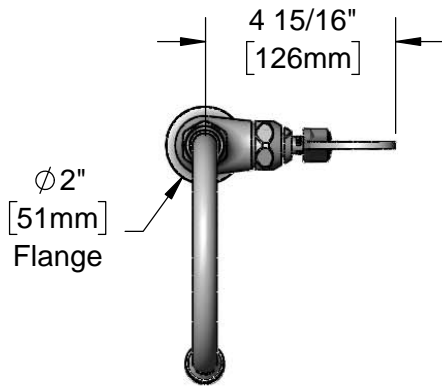
Job Name _____ Date _____

Model Specified _____ Quantity _____

Customer/Wholesaler _____

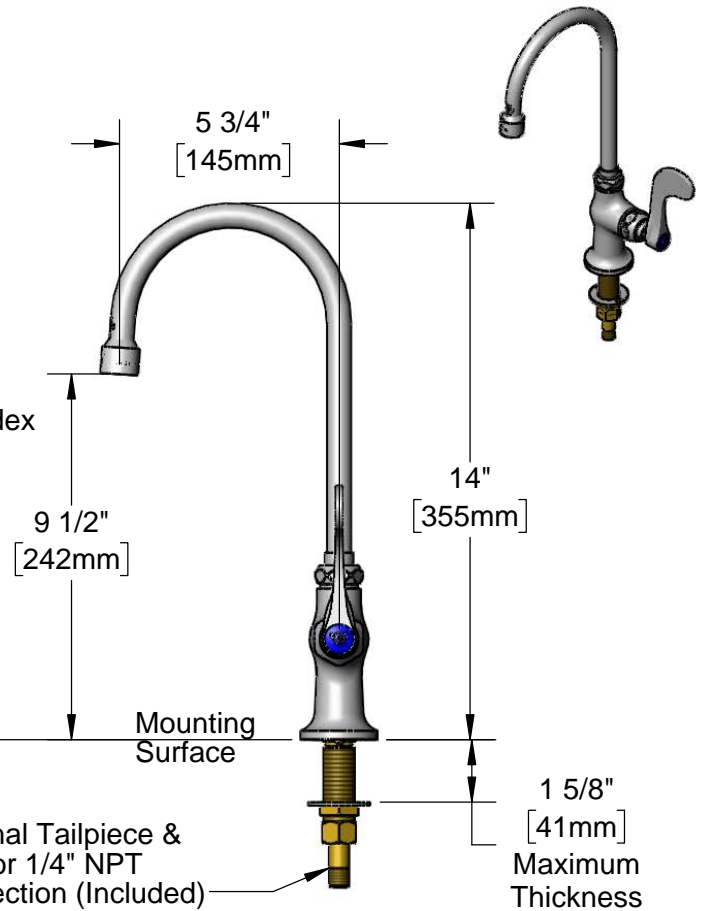
Contractor _____

Architect/Engineer _____



133X-V22
5 3/4" Swivel Gooseneck
w/ 1.5 GPM VR Aerator.
Converts to Rigid w/
014200-45 Lock Washer
(Included)

Quarter-Turn Eterna
Cartridge w/ Spring Check
& 4" Wrist Action Handle w/
VR Screw & Color Coded Index



2 7/16"
[62mm]

(2) Anti-Rotation
Screws

5/8"
[16mm]
Typ.

1 1/4"
[32mm]
Typ.

Anti-Rotation Screws
May Be Inserted in Any
2 of 4 Positions of
Ø 1/4" Holes in Deck

Rough-In Requirement:
Ø 1" [25mm] Mounting Hole

Product Specifications:

Single Hole Single Temperature Deck Mount Faucet w/ Anti-Rotation Pins, Quarter-Turn Eterna Cartridge w/ Spring Check, 4" Wrist Action Handle w/ VR Screw, 5 3/4" Swivel/Rigid Gooseneck, 2.2 GPM VR Aerator & 1/2" NPSM Inlet

Product Compliance:

ASME A112.18.1 / CSA B125.1
NSF 61 - Section 9
NSF 372 (Low Lead Content)
ANSI A117.1 (ADA)



T&S BRASS AND BRONZE WORKS, INC.

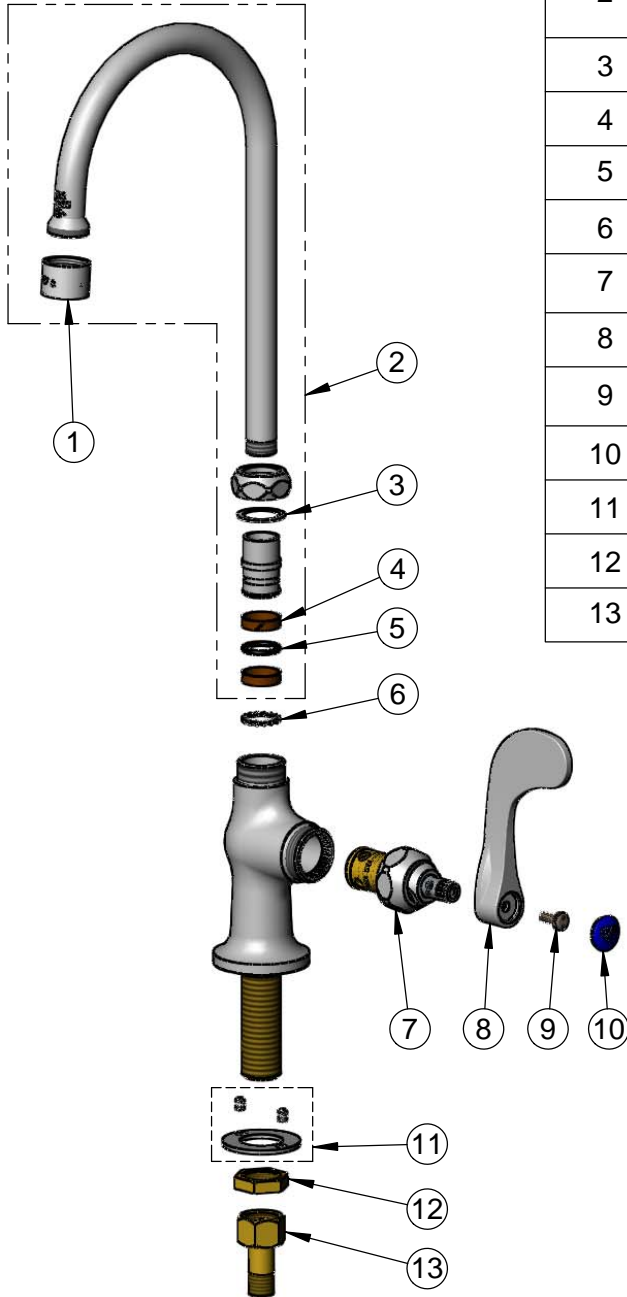
2 Saddleback Cove / P.O. Box 1088
Travelers Rest, SC 29690

Model No.

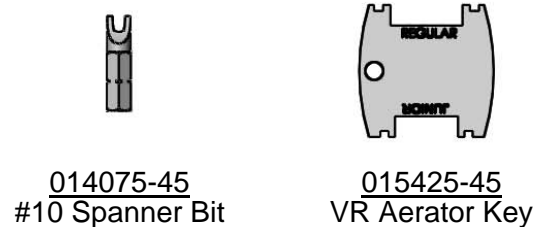
B-0305-VR4

Item No.

Travelers Rest, SC: 800-476-4103 • Simi Valley, CA: 800-423-0150 • Fax: 864-834-3518 • www.tsbrass.com



ITEM NO.	SALES NO.	DESCRIPTION
1	B-0199-06	VR 2.2 GPM Aerator w/ Key
2	133X-V22	5 3/4" Swivel Gooseneck w/ 2.2 GPM VR Aerator & Key
3	009538-45	Swivel Washer
4	011429-45	Swivel Sleeves (2)
5	001074-45	O-Ring
6	014200-45	Star Washer, Anti-Rotation
7	012443-40NS	Quarter-Turn Eterna Cartridge w/ Spring Check, RTC
8	B-WH4-NS	Wrist Action Handle (New Style)
9	VRS-2	VR Wrist Action Handle Screw (2) w/ Spanner Bit
10	018506-19NS	Blue Button Index, Press-in
11	012698-45	Anti-Rotation Screws (2) & Washer
12	002954-45	Shank Lock Nut
13	150A	1/4" NPT Tailpiece & Nut



Product Specifications:

Single Hole Single Temperature Deck Mount Faucet w/ Anti-Rotation Pins, Quarter-Turn Eterna Cartridge w/ Spring Check, 4" Wrist Action Handle w/ VR Screw, 5 3/4" Swivel/Rigid Gooseneck, 2.2 GPM VR Aerator & 1/2" NPSM Inlet

Product Compliance:

ASME A112.18.1 / CSA B125.1
NSF 61 - Section 9
NSF 372 (Low Lead Content)
ANSI A117.1 (ADA)