



T&S BRASS AND BRONZE WORKS, INC.

2 Saddleback Cove / P.O. Box 1088
Travelers Rest, SC 29690

Model No.

B-0305-VR

Item No.

Travelers Rest, SC: 800-476-4103 • Simi Valley, CA: 800-423-0150 • Fax: 864-834-3518 • www.tsbrass.com



ADA Compliant

This Space for Architect/Engineer Approval

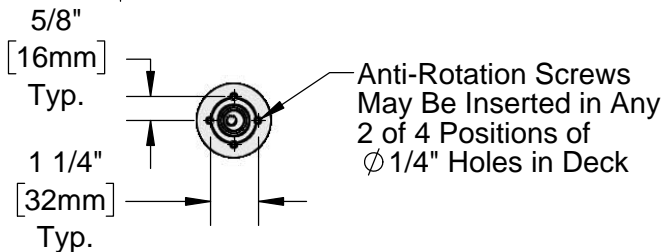
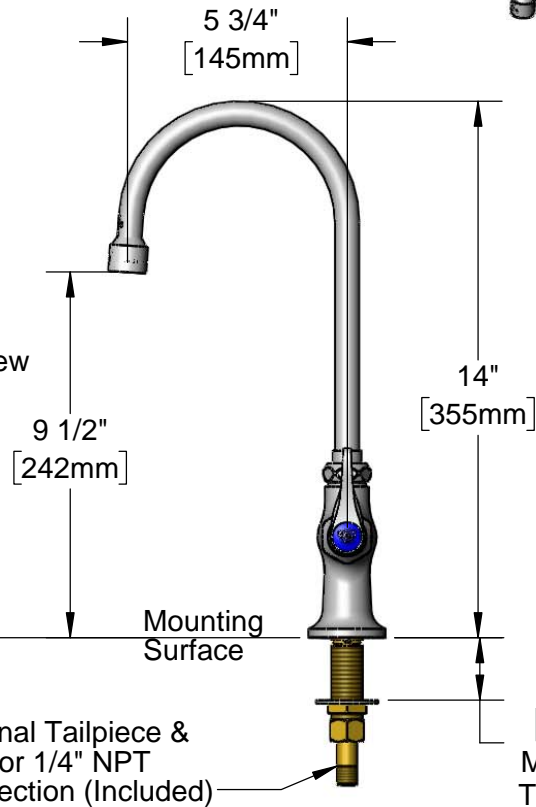
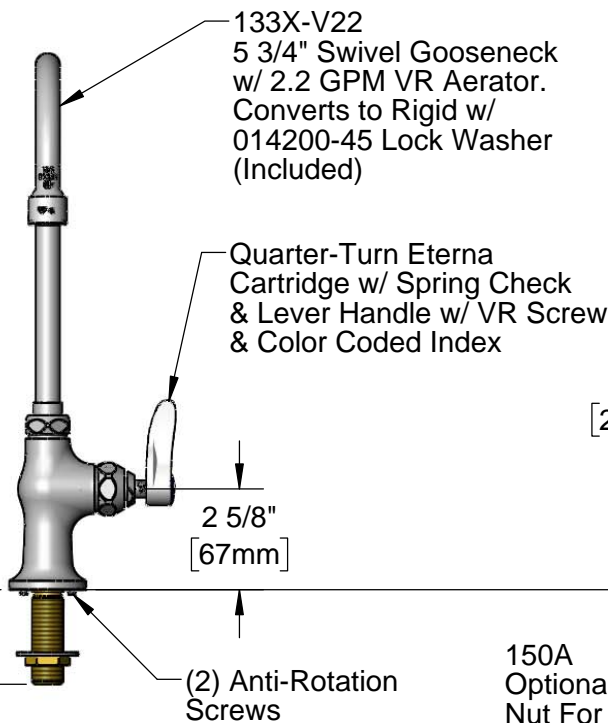
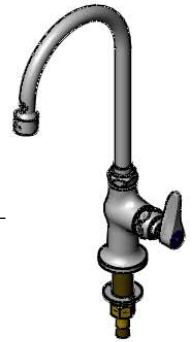
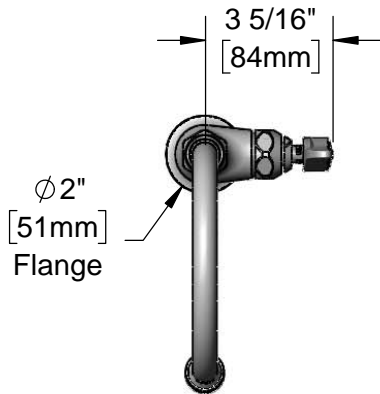
Job Name _____ Date _____

Model Specified _____ Quantity _____

Customer/Wholesaler _____

Contractor _____

Architect/Engineer _____



Rough-In Requirement:
Ø 1" [25mm] Mounting Hole

Product Specifications:

Single Hole Single Temperature Deck Mount Faucet w/ Anti-Rotation Pins, Quarter-Turn Eterna Cartridge w/ Spring Check, Lever Handle w/ VR Screw, 5 3/4" Swivel/Rigid Gooseneck, 2.2 GPM VR Aerator and 1/2" NPSM Inlet

Product Compliance:

ASME A112.18.1 / CSA B125.1
NSF 61 - Section 9
NSF 372 (Low Lead Content)
ANSI A117.1 (ADA)



T&S BRASS AND BRONZE WORKS, INC.

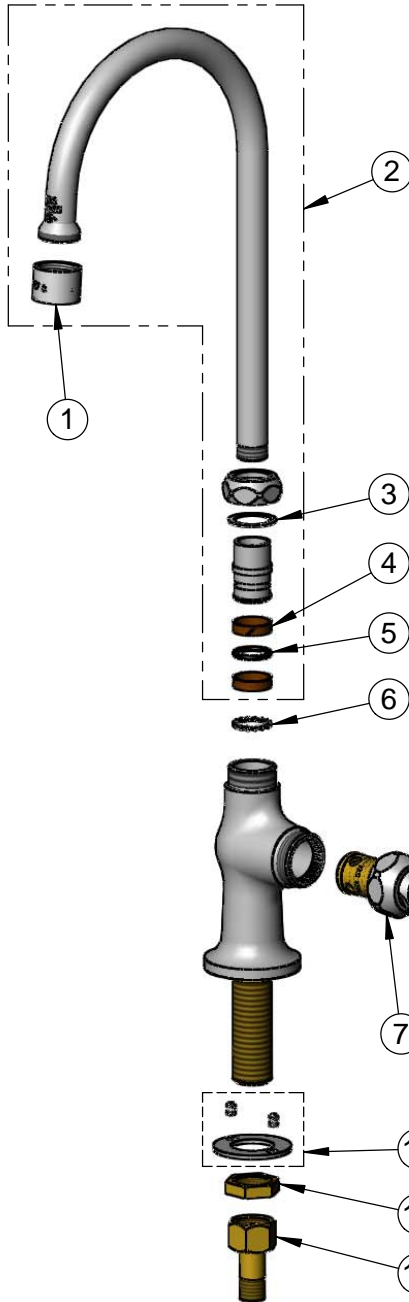
2 Saddleback Cove / P.O. Box 1088
Travelers Rest, SC 29690

Model No.

B-0305-VR

Item No.

Travelers Rest, SC: 800-476-4103 • Simi Valley, CA: 800-423-0150 • Fax: 864-834-3518 • www.tsbrass.com



ITEM NO.	SALES NO.	DESCRIPTION
1	B-0199-06	VR 2.2 GPM Aerator w/ Key
2	133X-V22	5 3/4" Swivel Gooseneck w/ 2.2 GPM VR Aerator & VR Key
3	009538-45	Swivel Washer
4	011429-45	Swivel Sleeves (2)
5	001074-45	O-Ring
6	014200-45	Star Washer, Anti-Rotation
7	012443-40NS	Quarter-Turn Eterna Cartridge w/ Spring Check, RTC
8	001638-45NS	Lever Handle (New Style)
9	VRS-2	VR Wrist Action Handle Screw (2) w/ Spanner Bit
10	018506-19NS	Blue Button Index, Press-in
11	012698-45	Anti-Rotation Screws (2) & Washer
12	002954-45	Shank Lock Nut
13	150A	1/4" NPT Tailpiece & Nut

014075-45
#10 Spanner Bit

015425-45
VR Aerator Key

Product Specifications:

Single Hole Single Temperature Deck Mount Faucet w/ Anti-Rotation Pins, Quarter-Turn Eterna Cartridge w/ Spring Check, Lever Handle w/ VR Screw, 5 3/4" Swivel/Rigid Gooseneck, 2.2 GPM VR Aerator and 1/2" NPSM Inlet

Product Compliance:

ASME A112.18.1 / CSA B125.1
NSF 61 - Section 9
NSF 372 (Low Lead Content)
ANSI A117.1 (ADA)