



# T&S BRASS AND BRONZE WORKS, INC.

2 Saddleback Cove / P.O. Box 1088  
Travelers Rest, SC 29690

Model No.

**B-0305-VF22**

Item No.

Travelers Rest, SC: 800-476-4103 • Simi Valley, CA: 800-423-0150 • Fax: 864-834-3518 • www.tsbrass.com



**ADA Compliant**

This Space for Architect/Engineer Approval

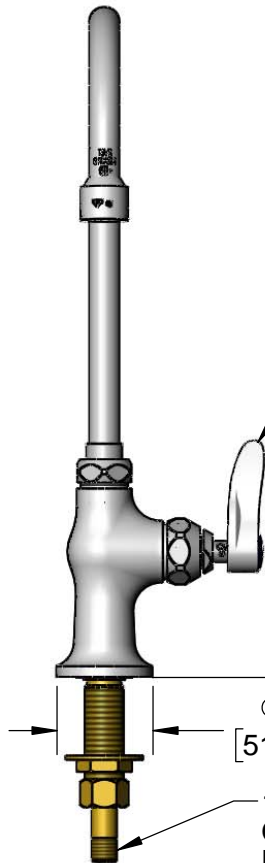
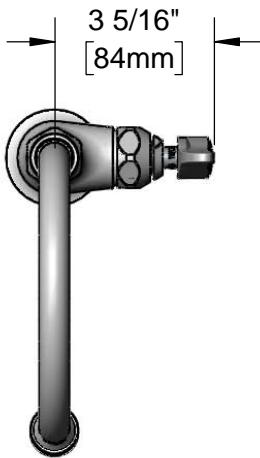
Job Name \_\_\_\_\_ Date \_\_\_\_\_

Model Specified \_\_\_\_\_ Quantity \_\_\_\_\_

Customer/Wholesaler \_\_\_\_\_

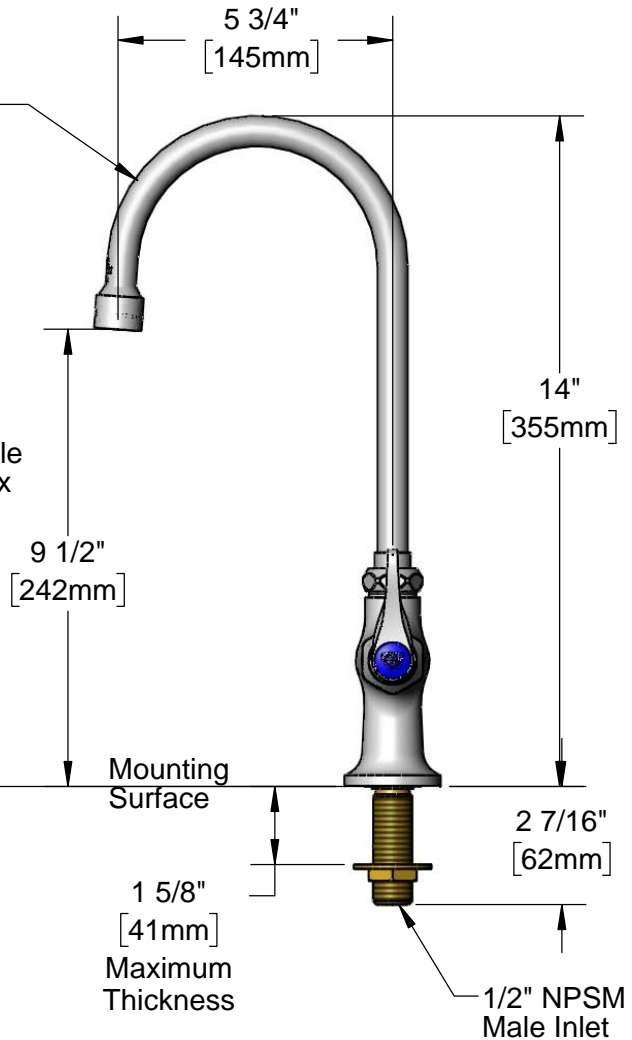
Contractor \_\_\_\_\_

Architect/Engineer \_\_\_\_\_



Swivel Gooseneck w/  
B-0199-06 Vandal  
Resistant 2.2 GPM Aerator.  
Converts to Rigid w/  
014200-45 Lock Washer  
(Included)

Quarter-Turn Eterna  
Cartridge w/ Spring  
Check & Lever Handle  
w/ Color Coded Index



150A  
Optional Tailpiece &  
Nut for 1/4" NPT  
Connection (Included)

Rough-In Requirement:  
Ø 1" [25mm] Mounting Hole

**Product Specifications:**

Single Temperature Deck Mount Faucet, Quarter-Turn Eterna Cartridge w/  
Spring Check, Lever Handle, 5 3/4" Swivel Gooseneck w/ 2.2 GPM VR  
Aerator & 1/2" NPSM Male Inlet w/ Tailpiece

**Product Compliance:**

ASME A112.18.1 / CSA B125.1  
NSF 61 - Section 9  
NSF 372 (Low Lead Content)  
ANSI A117.1 (ADA)



# T&S BRASS AND BRONZE WORKS, INC.

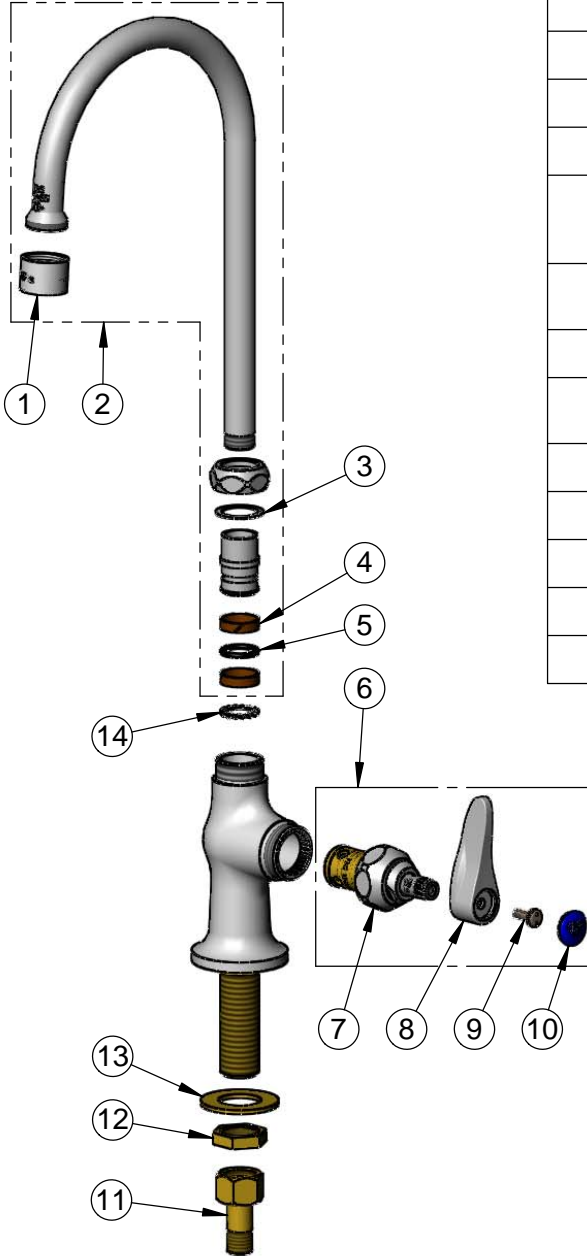
2 Saddleback Cove / P.O. Box 1088  
Travelers Rest, SC 29690

Model No.

**B-0305-VF22**

Item No.

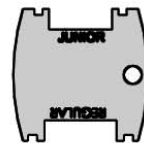
Travelers Rest, SC: 800-476-4103 • Simi Valley, CA: 800-423-0150 • Fax: 864-834-3518 • www.tsbrass.com



ITEM NO.	SALES NO.	DESCRIPTION
1	B-0199-06	VR 2.2 GPM Aerator, 55/64-27 UN Female w/ Key
2	133X-V22	6" Swivel Gooseneck w/ VR 2.2 GPM Aerator
3	009538-45	Swivel Washer
4	011429-45	Swivel Sleeves (2)
5	001074-45	O-Ring
6	019639-40	Quarter-Turn Eterna Cartridge RTC w/ Spring Check, Handle, Blue Index & Screw
7	012443-40NS	Quarter-Turn Eterna Cartridge w/ Spring Check, RTC
8	001638-45NS	Lever Handle (New Style)
9	VRS-2	VR Wrist Action Handle Screw (2) w/ Spanner Bit
10	018506-19NS	Blue Button Index, Press-in
11	150A	1/4" NPT Tailpiece & Nut
12	002954-45	Shank Lock Nut
13	000999-45	Brass Lock Washer
14	014200-45	Star Washer, Anti-Rotation



014075-45  
Spanner Bit



015425-45  
Vandal Resistant Key

**Product Specifications:**

Single Temperature Deck Mount Faucet, Quarter-Turn Eterna Cartridge w/ Spring Check, Lever Handle, 5 3/4" Swivel Gooseneck w/ 2.2 GPM VR Aerator & 1/2" NPSM Male Inlet w/ Tailpiece

**Product Compliance:**

ASME A112.18.1 / CSA B125.1  
NSF 61 - Section 9  
NSF 372 (Low Lead Content)  
ANSI A117.1 (ADA)