



# T&S BRASS AND BRONZE WORKS, INC.

2 Saddleback Cove / P.O. Box 1088  
Travelers Rest, SC 29690

Model No.

**B-0305-QT-WS**

Item No.

Travelers Rest, SC: 800-476-4103 • Simi Valley, CA: 800-423-0150 • Fax: 864-834-3518 • www.tsbrass.com



**ADA Compliant**

This Space for Architect/Engineer Approval

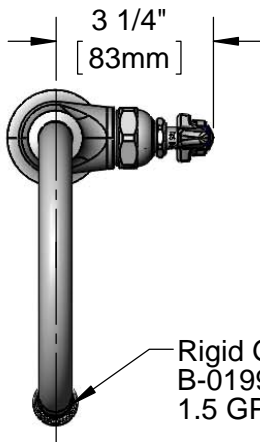
Job Name \_\_\_\_\_ Date \_\_\_\_\_

Model Specified \_\_\_\_\_ Quantity \_\_\_\_\_

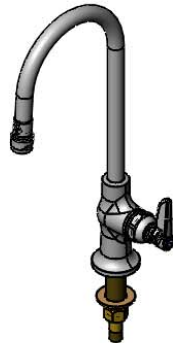
Customer/Wholesaler \_\_\_\_\_

Contractor \_\_\_\_\_

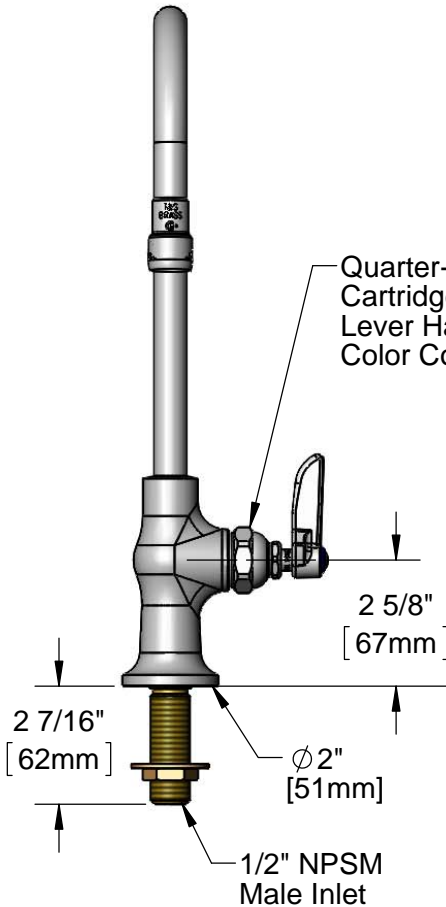
Architect/Engineer \_\_\_\_\_



Rigid Gooseneck w/  
B-0199-02-WS  
1.5 GPM Aerator



Quarter-Turn Eterna  
Cartridge w/  
Lever Handle & Blue  
Color Coded Index

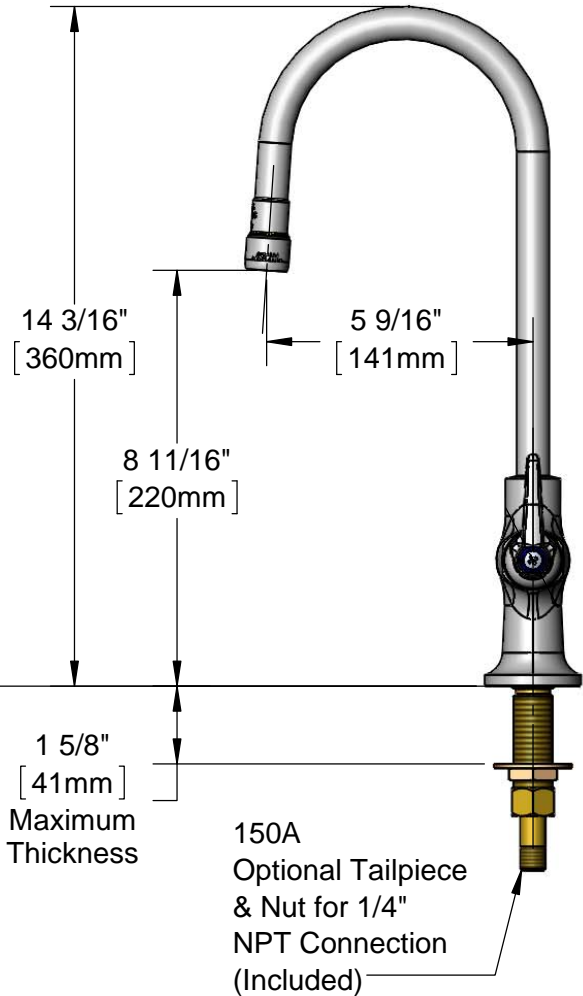


2 7/16"  
[62mm]

2 5/8"  
[67mm]

2"  
[51mm]

1/2" NPSM  
Male Inlet



14 3/16"  
[360mm]

5 9/16"  
[141mm]

8 11/16"  
[220mm]

1 5/8"  
[41mm]  
Maximum  
Thickness

150A  
Optional Tailpiece  
& Nut for 1/4"  
NPT Connection  
(Included)

Rough-in Requirement:  
Ø 1" [25mm] Hole

Product Specifications:  
Single Pantry Faucet, Rigid Gooseneck w/ 1.5 GPM Aerator,  
Quarter-Turn Eterna Cartridge, Lever Handle and 1/2" NPSM Male Inlet

Product Compliance:  
ASME A112.18.1 / CSA B125.1  
NSF 61 - Section 9  
NSF 372 (Low Lead Content)  
ANSI A117.1 (ADA)

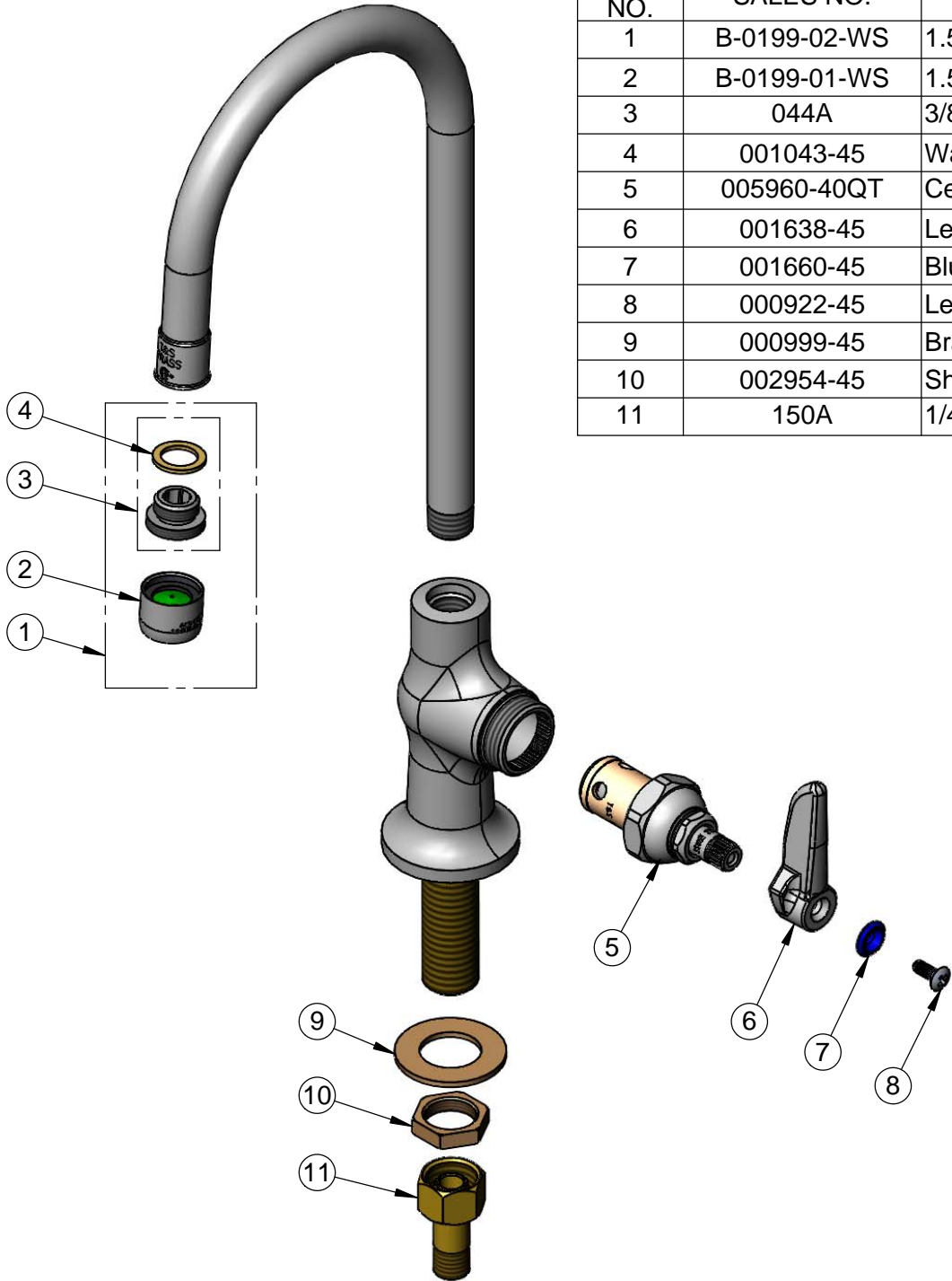


**T&S BRASS AND BRONZE WORKS, INC.**  
 2 Saddleback Cove / P.O. Box 1088  
 Travelers Rest, SC 29690

Model No.  
**B-0305-QT-WS**  
 Item No.

Travelers Rest, SC: 800-476-4103 • Simi Valley, CA: 800-423-0150 • Fax: 864-834-3518 • www.tsbrass.com

| ITEM NO. | SALES NO.    | DESCRIPTION                      |
|----------|--------------|----------------------------------|
| 1        | B-0199-02-WS | 1.5 GPM Aerator w/ Adapter       |
| 2        | B-0199-01-WS | 1.5 GPM Aerator, 55/64-27 Female |
| 3        | 044A         | 3/8" to Aerator Adapter          |
| 4        | 001043-45    | Washer                           |
| 5        | 005960-40QT  | Cerama Cartridge, RTC            |
| 6        | 001638-45    | Lever Handle                     |
| 7        | 001660-45    | Blue Index-CW                    |
| 8        | 000922-45    | Lever Handle Screw               |
| 9        | 000999-45    | Brass Lock Washer                |
| 10       | 002954-45    | Shank Lock Nut                   |
| 11       | 150A         | 1/4" NPT Tailpiece & Nut         |



Product Specifications:  
 Single Pantry Faucet, Rigid Gooseneck w/ 1.5 GPM Aerator,  
 Quarter-Turn Eterna Cartridge, Lever Handle and 1/2" NPSM Male Inlet

Product Compliance:  
 ASME A112.18.1 / CSA B125.1  
 NSF 61 - Section 9  
 NSF 372 (Low Lead Content)  
 ANSI A117.1 (ADA)