



T&S BRASS AND BRONZE WORKS, INC.

2 Saddleback Cove / P.O. Box 1088
Travelers Rest, SC 29690

Model No.

B-0305-LN-175F

Item No.

Travelers Rest, SC: 800-476-4103 • Simi Valley, CA: 800-423-0150 • Fax: 864-834-3518 • www.tsbrass.com



ADA Compliant

This Space for Architect/Engineer Approval

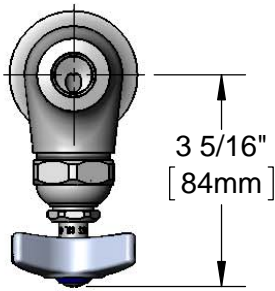
Job Name _____ Date _____

Model Specified _____ Quantity _____

Customer/Wholesaler _____

Contractor _____

Architect/Engineer _____



3 5/16"
[84mm]



3/8" NPT Female Outlet
Accepts T&S Rigid
Goosenecks

Eterna Cartridge &
4-Arm Handle w/
Colored Coded
Index (Cold)

Mounting Surface

2 7/16"
[62mm]

Ø2" [51mm]
Base w/
1/2" NPSM
Male Inlet

4 3/8"
[111mm]

2 5/8"
[67mm]

1 1/2"
[38mm]
Maximum
Thickness

150A
Optional Tailpiece
& Nut for 1/4" NPT
Connection
(Included)

Rough-In Requirement:
Ø1" [25mm] Mounting Hole

Product Specifications:
Single Hole, Single Temperature Deck Mount Faucet w/ 4-Arm Handle,
Eterna Cartridge, Less Nozzle

Product Compliance:
ASME A112.18.1 / CSA B125.1
NSF 61 - Section 9
NSF 372 (Low Lead Content)
ANSI A117.1 (ADA)



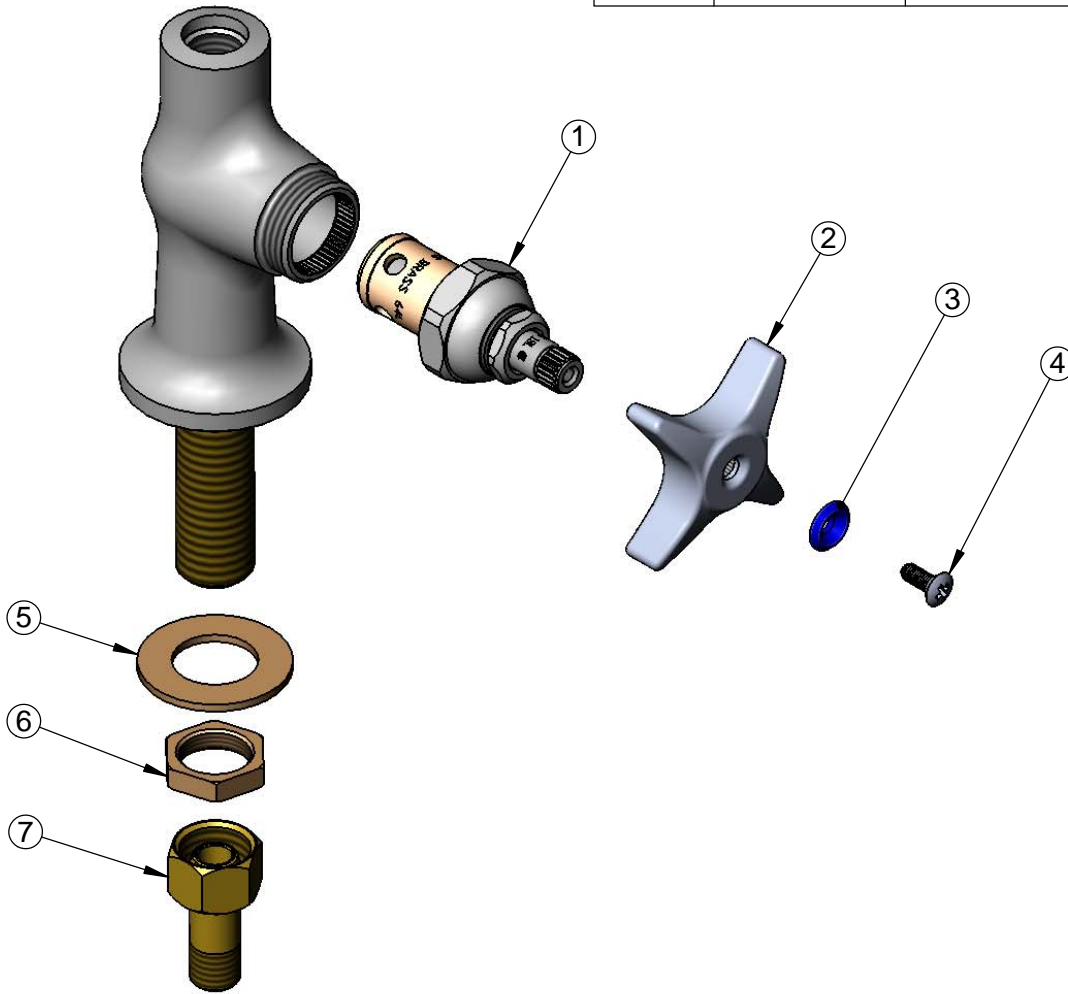
T&S BRASS AND BRONZE WORKS, INC.
 2 Saddleback Cove / P.O. Box 1088
 Travelers Rest, SC 29690

Model No.
B-0305-LN-175F

Item No.

Travelers Rest, SC: 800-476-4103 • Simi Valley, CA: 800-423-0150 • Fax: 864-834-3518 • www.tsbrass.com

ITEM NO.	SALES NO.	DESCRIPTION
1	005960-40	Eterna Cartridge, RTC
2	002521-45	4-Arm Handle
3	001660-45	Blue Index-CW
4	000922-45	Lever Handle Screw
5	000999-45	Brass Lock Washer
6	002954-45	Shank Lock Nut
7	150A	1/4" NPT Tailpiece & Nut



Product Specifications:
 Single Hole, Single Temperature Deck Mount Faucet w/ 4-Arm Handle,
 Eterna Cartridge, Less Nozzle

Product Compliance:
 ASME A112.18.1 / CSA B125.1
 NSF 61 - Section 9
 NSF 372 (Low Lead Content)
 ANSI A117.1 (ADA)