

# T&S BRASS AND BRONZE WORKS, INC.

2 SADDLEBACK COVE / P.O. BOX 1088 / TRAVELERS REST, SC 29690

PHONE 800-476-4103 - FAX 864- 834-3518



REG.#A2601  
ISO #9001

Model No.

B-0305-03

**RELIABILITY  
BUILT IN**

Job Name:

Architect/Engineer Approval:

Notes:



Note 1: Lever Handle Screw Removable Only w/ Hex Key. (Furnished by T&S)

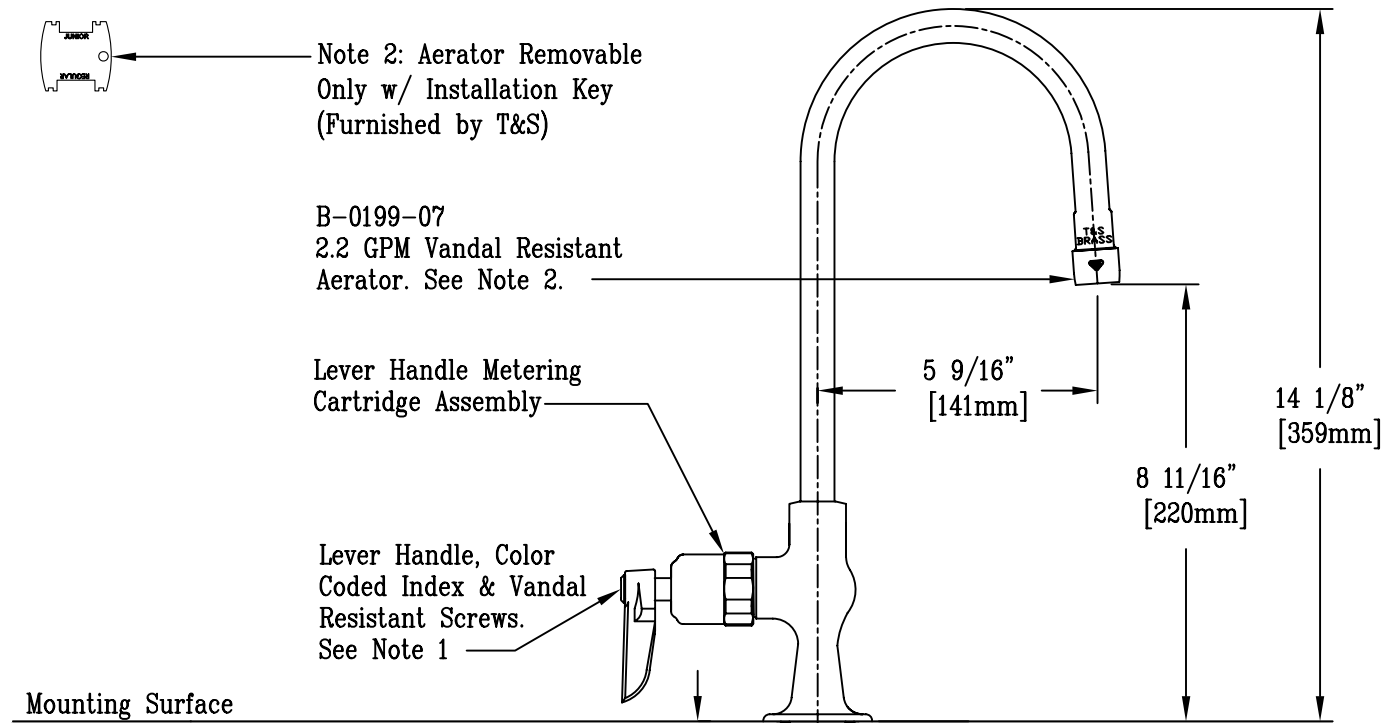


Note 2: Aerator Removable Only w/ Installation Key (Furnished by T&S)

B-0199-07  
2.2 GPM Vandal Resistant Aerator. See Note 2.

Lever Handle Metering Cartridge Assembly

Lever Handle, Color Coded Index & Vandal Resistant Screws. See Note 1



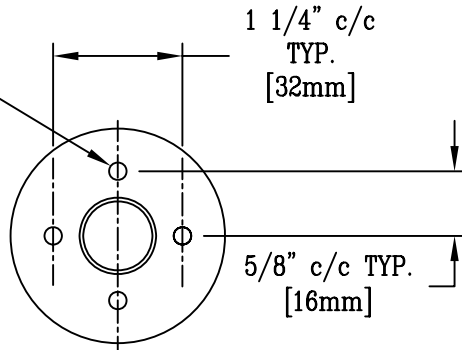
Mounting Surface

2 1/2" [63mm]

Anti-Rotation Screws Set into Shank Lock Washer & Visible From Below

1/2" NPSM Male Thread

Threaded Anti-Rotation Screws may be Inserted in any (2) of (4) Positions Preventing Twisting of Faucet



**BOTTOM VIEW**  
SCALE : 1:2



150A Tailpiece and Nut Furnished for Optional 1/4" NPT Connection



ADA COMPLIANT

Product Description:  
B-0305 Single Supply Faucet w/ Vandal Resistant Self Closing Lever Handle, Vandal Resistant 2.2 GPM Aerator and Anti-Rotation Countertop Screws

Drawn: DHL	Checked JRM	Scale: 1:4
Approved JHB	Date: 01/06/08	