



T&S BRASS AND BRONZE WORKS, INC.

2 Saddleback Cove / P.O. Box 1088
Travelers Rest, SC 29690

Model No.

B-0300-WD

Item No.

Travelers Rest, SC: 800-476-4103 • Simi Valley, CA: 800-423-0150 • Fax: 864-834-3518 • www.tsbrass.com

This Space for Architect/Engineer Approval

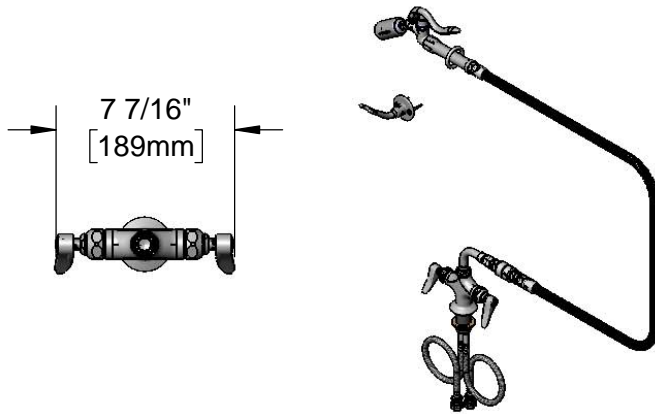
Job Name _____ Date _____

Model Specified _____ Quantity _____

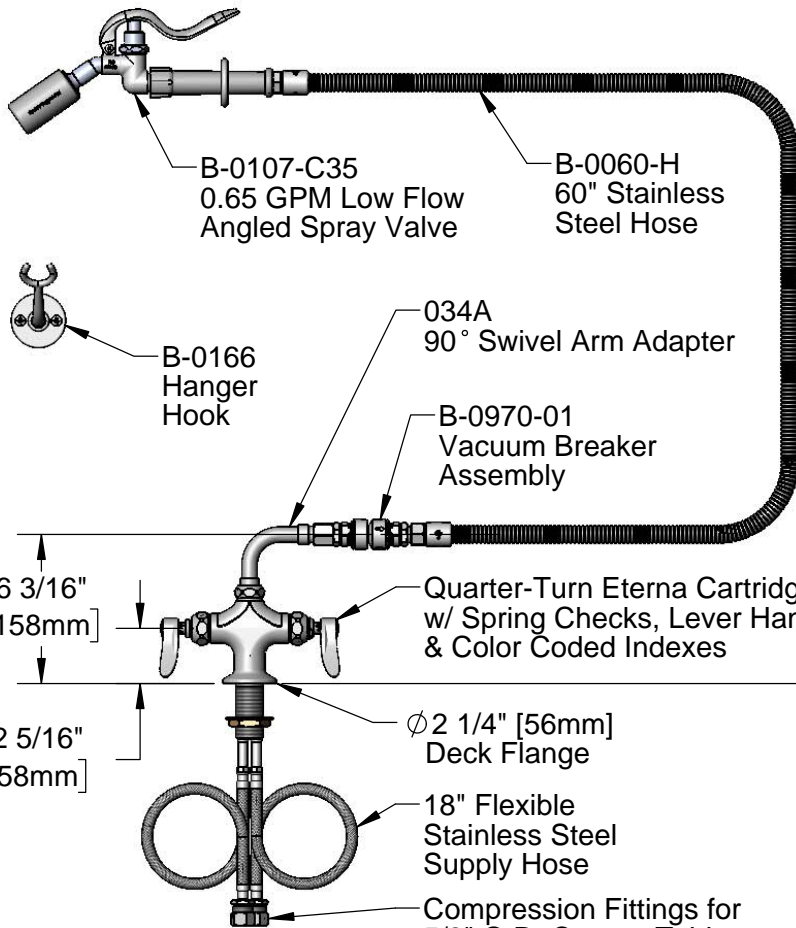
Customer/Wholesaler _____

Contractor _____

Architect/Engineer _____



7 7/16"
[189mm]



B-0107-C35
0.65 GPM Low Flow
Angled Spray Valve

B-0060-H
60" Stainless
Steel Hose

B-0166
Hanger
Hook

034A
90° Swivel Arm Adapter

B-0970-01
Vacuum Breaker
Assembly

Quarter-Turn Eterna Cartridges
w/ Spring Checks, Lever Handles
& Color Coded Indexes

6 3/16"
[158mm]

2 5/16"
[58mm]

Ø 2 1/4" [56mm]
Deck Flange

18" Flexible
Stainless Steel
Supply Hose

Compression Fittings for
5/8" O.D. Copper Tubing
(Remove Compression Nut
for 1/2" NPSM Male)



Mounting
Surface

Ø 1 1/8"
[29mm]

1 3/8"
[35mm]
Maximum
Thickness

Rough-In Requirements:
Ø 1 1/2" [38mm] Mounting Hole

Product Specifications:

Double Pantry Deck Mount Faucet, Quarter-Turn Eterna Cartridges w/ Spring Checks, 0.65 GPM Low Flow Angled Spray Valve, 60" Flexible Stainless Steel Hose, Vacuum Breaker & Flexible Supply Hoses

Product Compliance:

ASME A112.18.1 / CSA B125.1
NSF 61 - Section 9
NSF 372 (Low Lead Content)
EPA Act 2005 (PRSV)
CSA B64.8 (VB)



T&S BRASS AND BRONZE WORKS, INC.

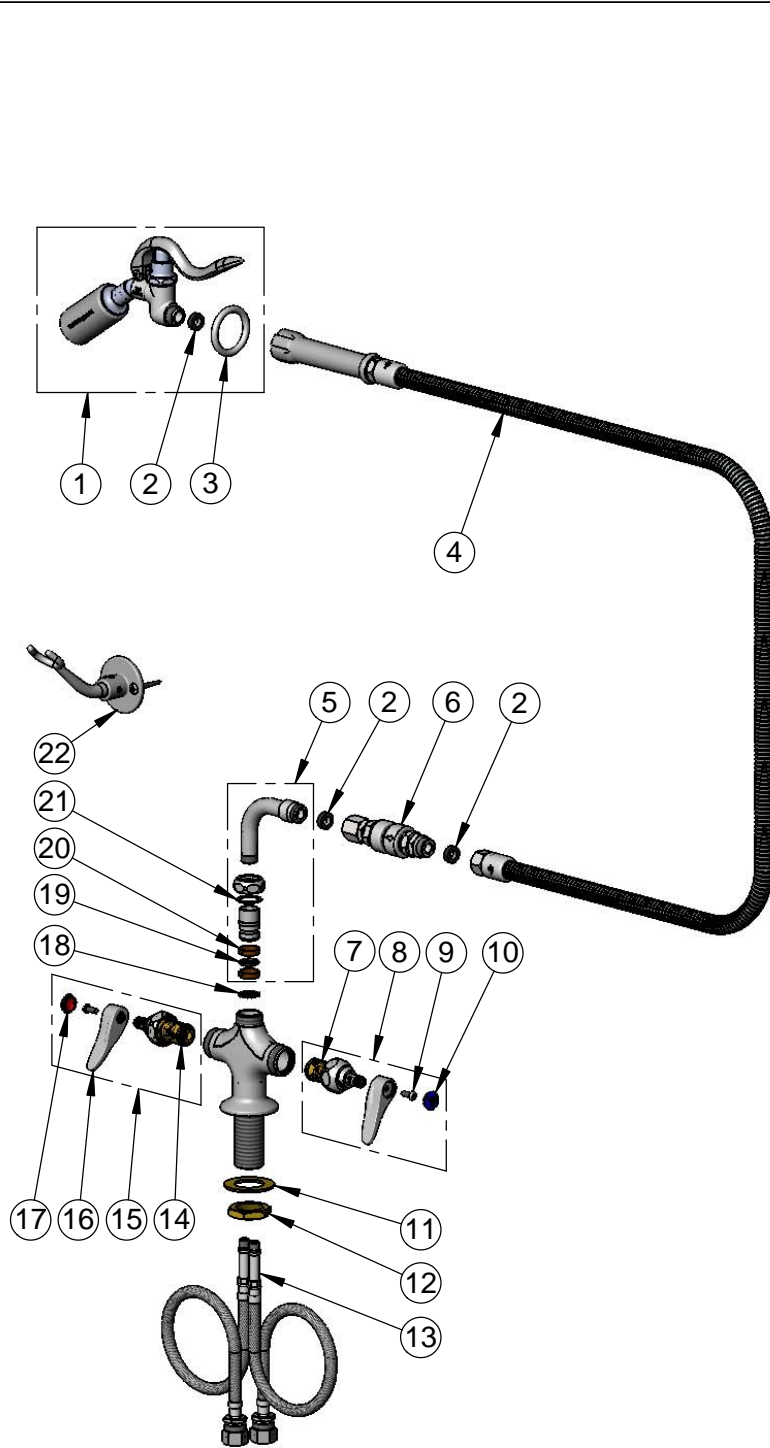
2 Saddleback Cove / P.O. Box 1088
Travelers Rest, SC 29690

Model No.

B-0300-WD

Item No.

Travelers Rest, SC: 800-476-4103 • Simi Valley, CA: 800-423-0150 • Fax: 864-834-3518 • www.tsbrass.com



ITEM NO.	SALES NO.	DESCRIPTION
1	B-0107-C35	0.65 GPM Low Flow Angled Spray Valve
2	010476-45	#27 Washer
3	000907-45	Spray Valve Hold Down Ring
4	B-0060-H	60" Flexible Stainless Steel Hose
5	034A	90° Swivel Arm Adapter
6	B-0970-01	Vacuum Breaker
7	012442-40NS	Quarter-Turn Eterna Cartridge w/ Spring Check, LTC
8	002711-40NS	Quarter-Turn Eterna Cartridge w/ Spring Check, Handle, Blue Index & Screw, LTC
9	000925-45	Lab Handle Screw
10	018506-19NS	Blue Button Index, Press-in
11	002290-45	Lock Washer
12	000965-45	Lock Nut
13	012534-45	18" Flexible Supply Hose (2)
14	012443-40NS	Quarter-Turn Eterna Cartridge w/ Spring Check, RTC
15	002712-40NS	Quarter-Turn Eterna Cartridge w/ Spring Check, Handle, Red Index & Screw, RTC
16	001638-45NS	Lever Handle (New Style)
17	001193-19NS	Red Button Index, Press-in
18	014200-45	Star Washer, Anti-Rotation
19	001074-45	O-Ring
20	011429-45	Swivel Sleeves (2)
21	009538-45	Swivel Washer
22	B-0166	Hanger Hook

Product Specifications:

Double Pantry Deck Mount Faucet, Quarter-Turn Eterna Cartridges w/ Spring Checks, 0.65 GPM Low Flow Angled Spray Valve, 60" Flexible Stainless Steel Hose, Vacuum Breaker & Flexible Supply Hoses

Product Compliance:

ASME A112.18.1 / CSA B125.1
NSF 61 - Section 9
NSF 372 (Low Lead Content)
EPA Act 2005 (PRSV)
CSA B64.8 (VB)