



**T&S BRASS AND BRONZE WORKS, INC.**  
 2 Saddleback Cove / P.O. Box 1088  
 Travelers Rest, SC 29690

Model No.  
**B-0296-PRISON**

Item No.

Travelers Rest, SC: 800-476-4103 • Simi Valley, CA: 800-423-0150 • Fax: 864-834-3518 • www.tsbrass.com



**ADA Compliant**

This Space for Architect/Engineer Approval

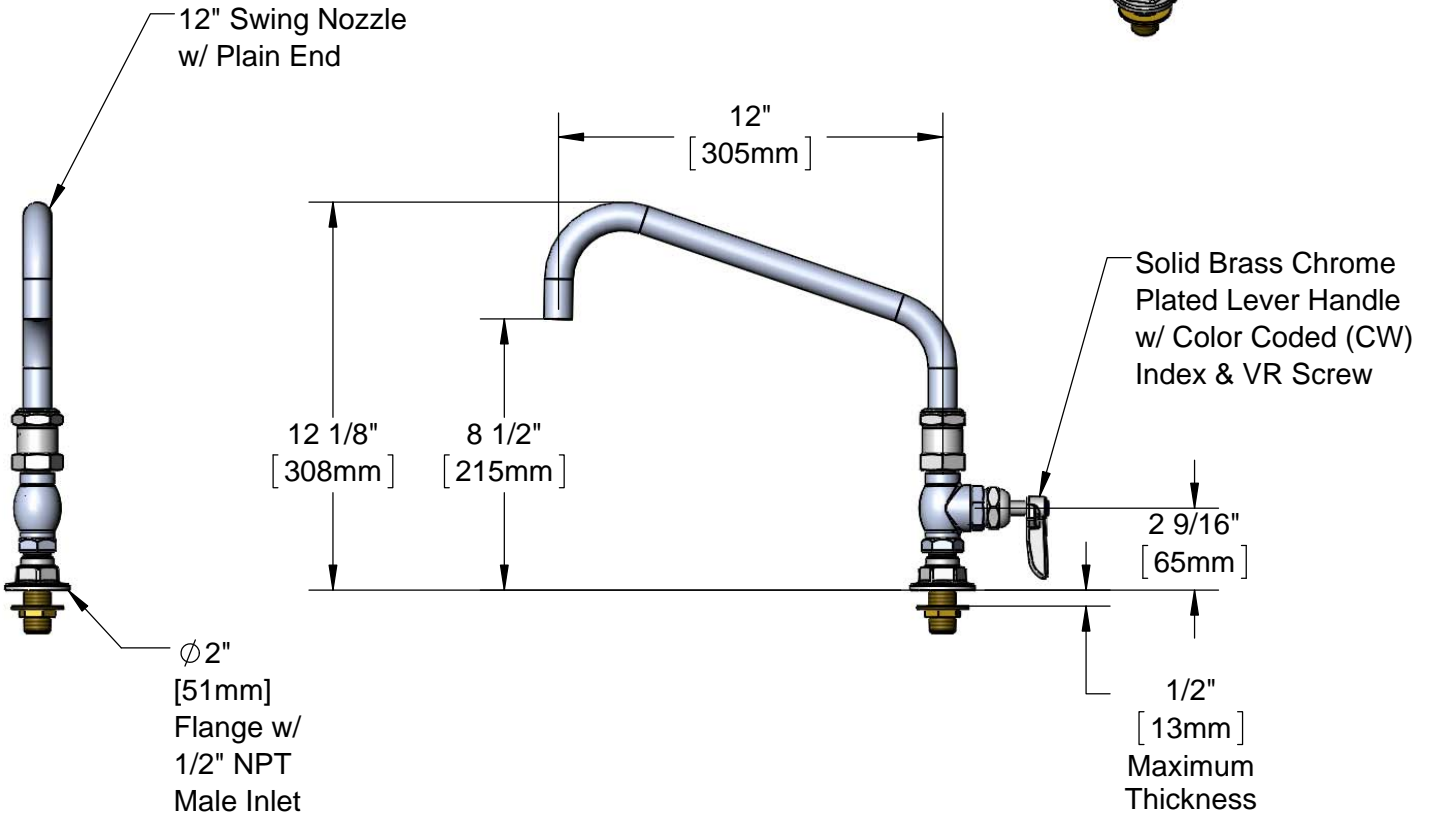
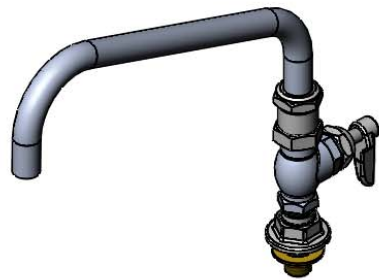
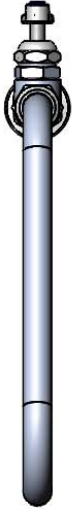
Job Name \_\_\_\_\_ Date \_\_\_\_\_

Model Specified \_\_\_\_\_ Quantity \_\_\_\_\_

Customer/Wholesaler \_\_\_\_\_

Contractor \_\_\_\_\_

Architect/Engineer \_\_\_\_\_



Rough-In Requirement:  
 Ø 1" [25mm] Hole

Product Specifications:  
 "Big-Flo" Valve Faucet, Solid Brass Chrome Plated Lever Handle w/ VR Screw,  
 12" Swing Nozzle w/ Plain End & 1/2" NPT Supply Nipple Inlet

Product Compliance:  
 ASME A112.18.1 / CSA B125.1  
 NSF 61 - Section 9  
 NSF 372 (Low Lead Content)  
 ANSI A117.1 (ADA)



# T&S BRASS AND BRONZE WORKS, INC.

2 Saddleback Cove / P.O. Box 1088  
Travelers Rest, SC 29690

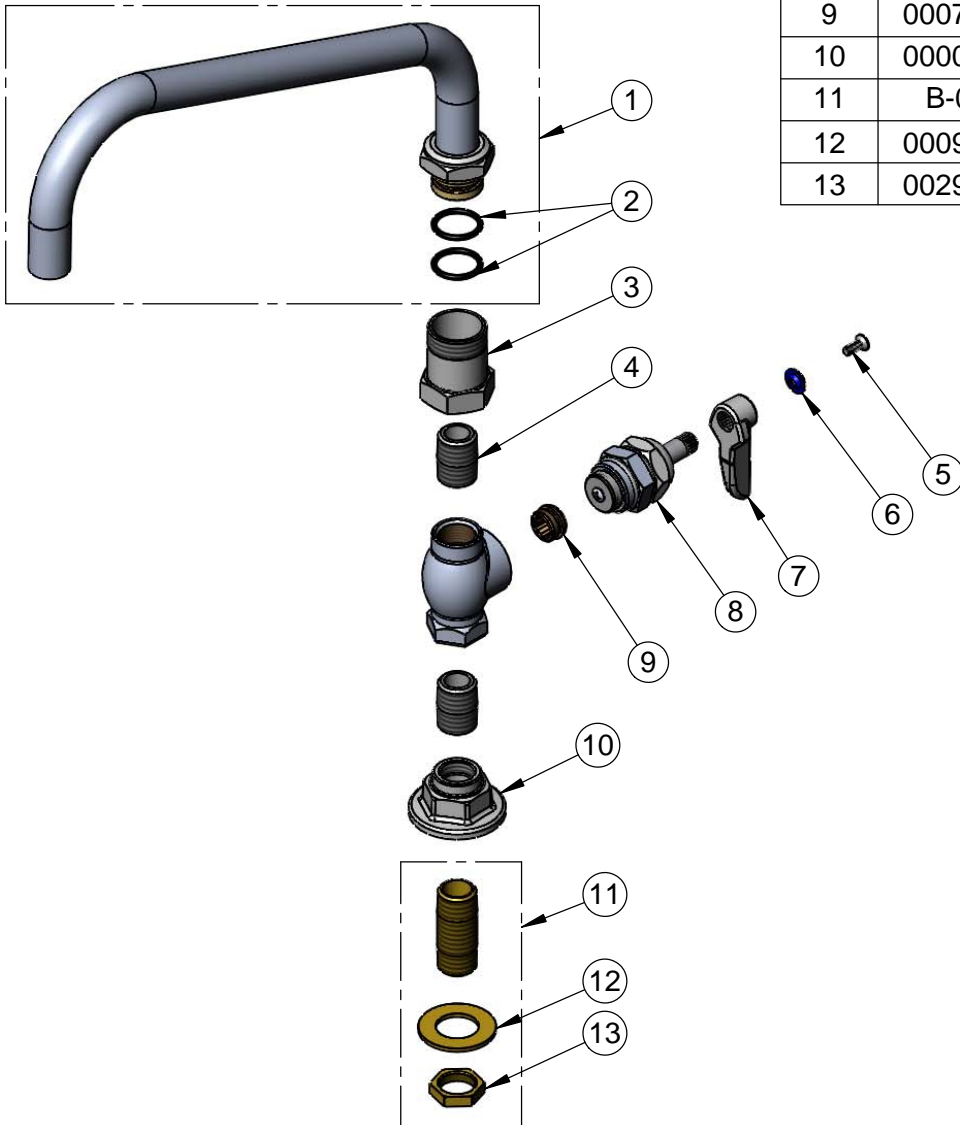
Model No.

**B-0296-PRISON**

Item No.

Travelers Rest, SC: 800-476-4103 • Simi Valley, CA: 800-423-0150 • Fax: 864-834-3518 • www.tsbrass.com

ITEM NO.	SALES NO.	DESCRIPTION
1	114X	12" Big-Flo Swing Nozzle
2	001068-45	O-ring
3	000594-25	Swivel Body x 1/2-14 NPT
4	002534-25	Close Nipple, 1/2"
5	011755-45	VR Screw
6	001660-45	Blue Index-CW
7	010027-40	Solid Brass Chrome Plated Lever Handle
8	006482-40	Big-Flo Cartridge, RTC
9	000764-20	Seat, Big-Flo
10	000013-40	Flange, 1/2" NPT Wall Mount
11	B-0425	1/2" NPT Supply Nipple Kit
12	000999-45	Brass Lock Washer
13	002954-45	Shank Lock Nut



  
014075-45  
Vandal Resistant  
Spanner Bit  
(Included)

**Product Specifications:**

"Big-Flo" Valve Faucet, Solid Brass Chrome Plated Lever Handle w/ VR Screw, 12" Swing Nozzle w/ Plain End & 1/2" NPT Supply Nipple Inlet

**Product Compliance:**

ASME A112.18.1 / CSA B125.1  
NSF 61 - Section 9  
NSF 372 (Low Lead Content)  
ANSI A117.1 (ADA)