



T&S BRASS AND BRONZE WORKS, INC.

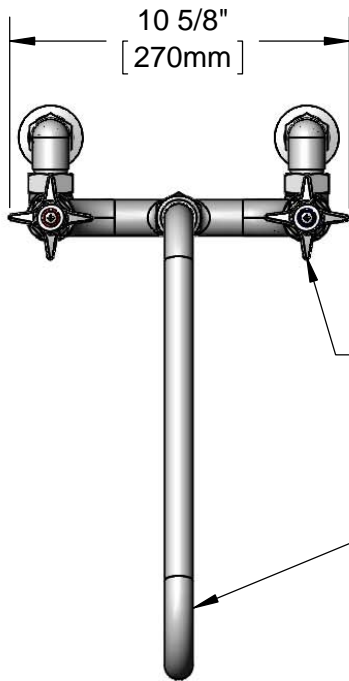
2 Saddleback Cove / P.O. Box 1088
Travelers Rest, SC 29690

Model No.

B-0293-14

Item No.

Travelers Rest, SC: 800-476-4103 • Simi Valley, CA: 800-423-0150 • Fax: 864-834-3518 • www.tsbrass.com



4-Arm Handles w/
Color Coded Indexes

014662-40
Big-Flo 14" Swing Nozzle
w/ Plain End Outlet

This Space for Architect/Engineer Approval

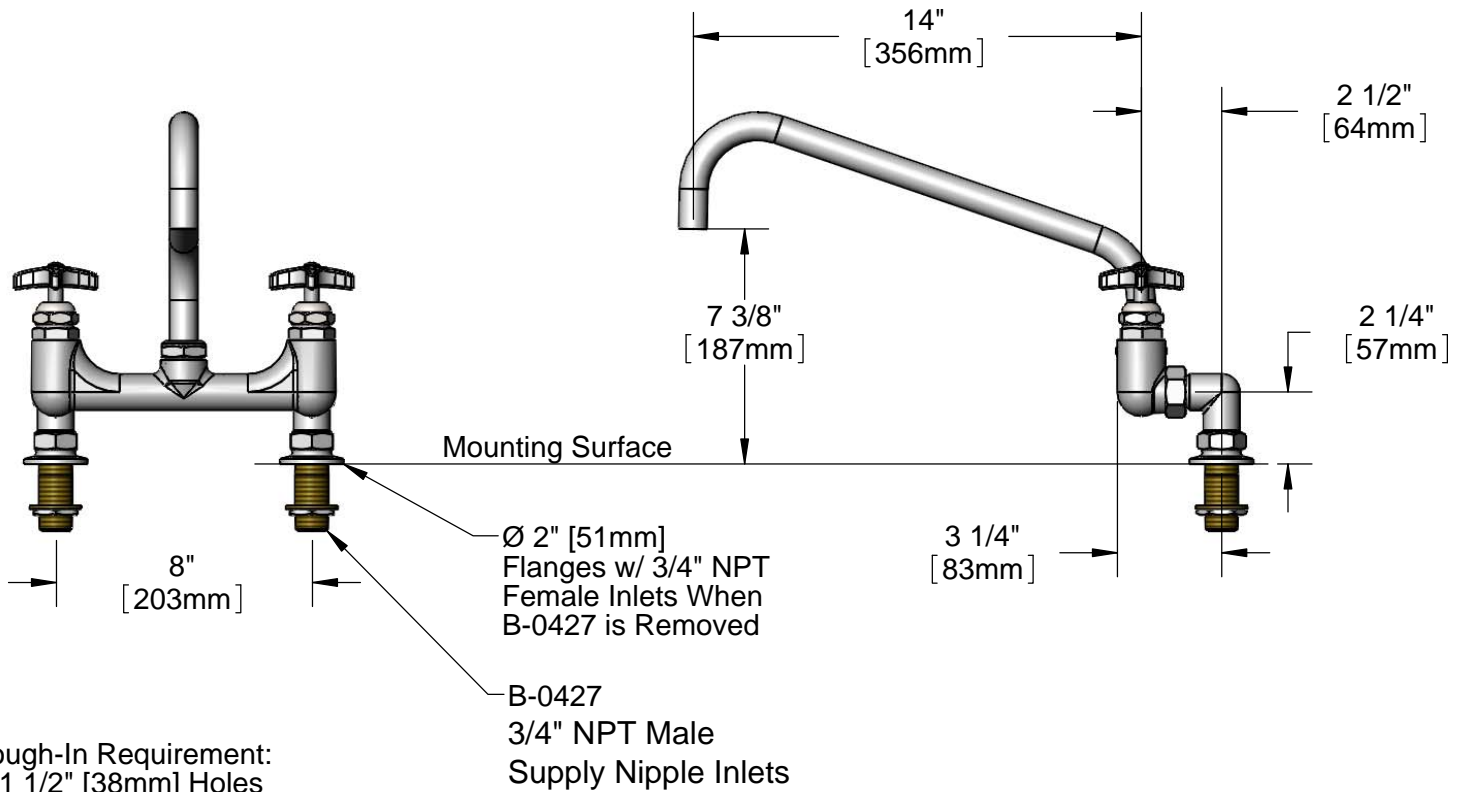
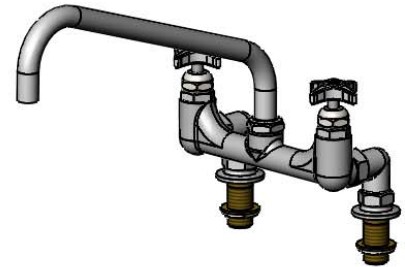
Job Name _____ Date _____

Model Specified _____ Quantity _____

Customer/Wholesaler _____

Contractor _____

Architect/Engineer _____



Rough-In Requirement:
Ø 1 1/2" [38mm] Holes

Product Specifications:

8" Wall Mount Mixing Faucet w/ Big-Flo 14" Swing Nozzle, 4-Arm Handles & 3/4" NPT Male Supply Nipple Inlets

Product Compliance:

ASME A112.18.1 / CSA B125.1
NSF 61 - Section 9
NSF 372 (Low Lead Content)
ANSI A117.1 (ADA)



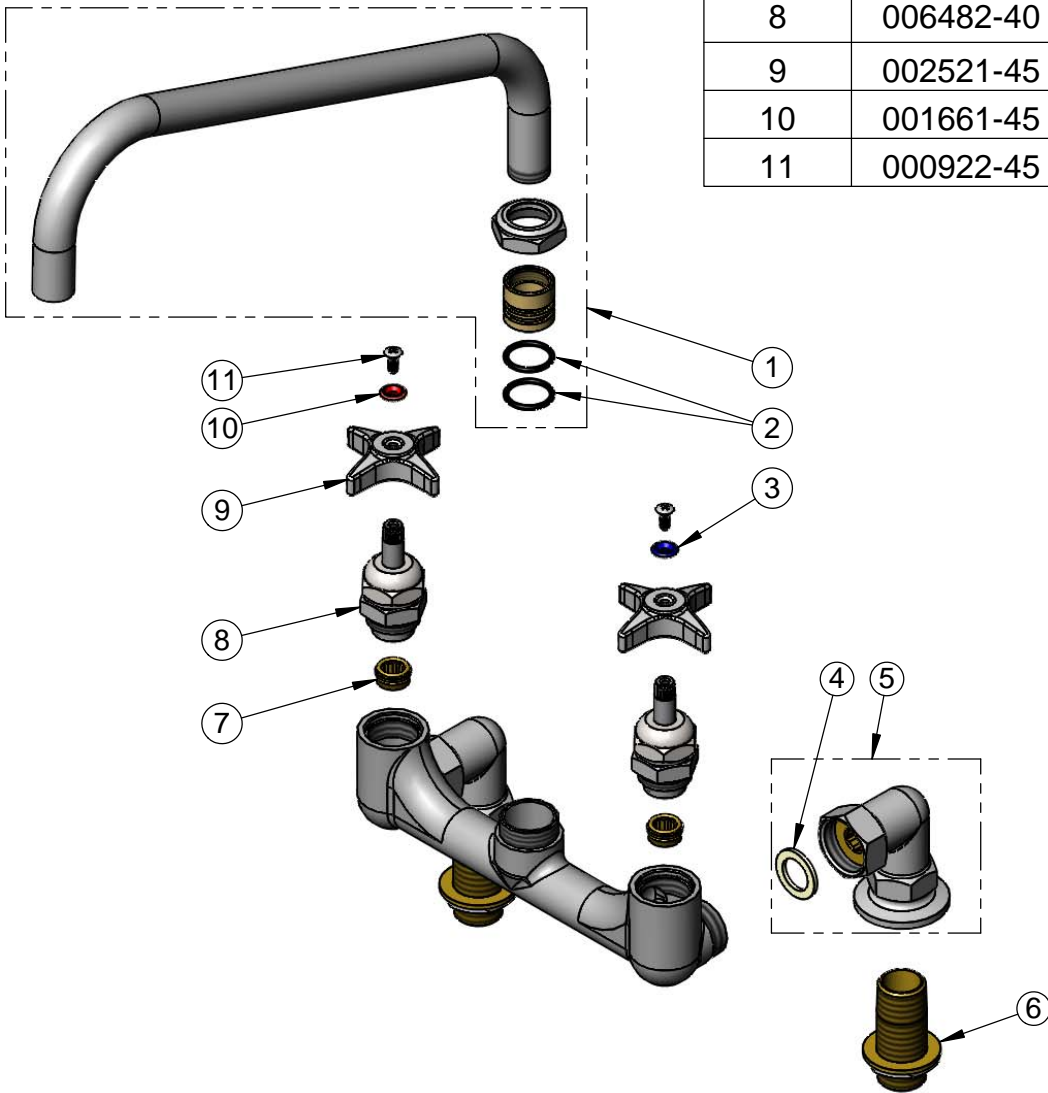
T&S BRASS AND BRONZE WORKS, INC.
 2 Saddleback Cove / P.O. Box 1088
 Travelers Rest, SC 29690

Model No.
B-0293-14

Item No.

Travelers Rest, SC: 800-476-4103 • Simi Valley, CA: 800-423-0150 • Fax: 864-834-3518 • www.tsbrass.com

ITEM NO.	SALES NO.	DESCRIPTION
1	014462-40	14" Big-Flo Swivel Nozzle
2	001068-45	O-ring
3	001660-45	Blue Index-CW
4	001019-45	Coupling Nut Washer
5	00YY	Elbow Flange Assembly, 3/4" NPT Female
6	B-0427	3/4" NPT Supply Nipple
7	000764-20	Seat, Big-Flo
8	006482-40	Spindle Asm, B-0290 (RH)
9	002521-45	4-Arm Handle
10	001661-45	Red Index-HW
11	000922-45	Lever Handle Screw



Product Specifications:
 8" Wall Mount Mixing Faucet w/ Big-Flo 14" Swing Nozzle, 4-Arm Handles & 3/4" NPT Male Supply Nipple Inlets

Product Compliance:
 ASME A112.18.1 / CSA B125.1
 NSF 61 - Section 9
 NSF 372 (Low Lead Content)
 ANSI A117.1 (ADA)