



T&S BRASS AND BRONZE WORKS, INC.

2 Saddleback Cove / P.O. Box 1088
Travelers Rest, SC 29690

Model No.

B-0291

Item No.

Travelers Rest, SC: 800-476-4103 • Simi Valley, CA: 800-423-0150 • Fax: 864-834-3518 • www.tsbrass.com



ADA Compliant

This Space for Architect/Engineer Approval

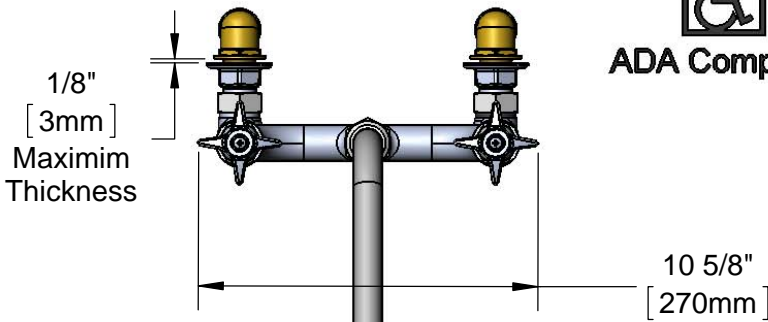
Job Name _____ Date _____

Model Specified _____ Quantity _____

Customer/Wholesaler _____

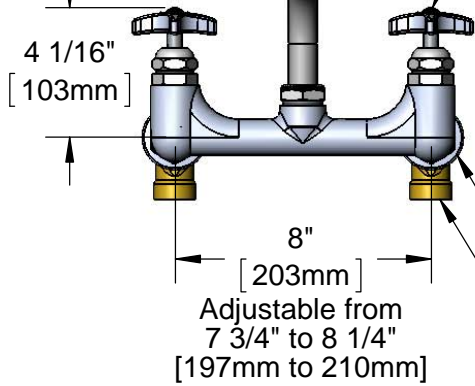
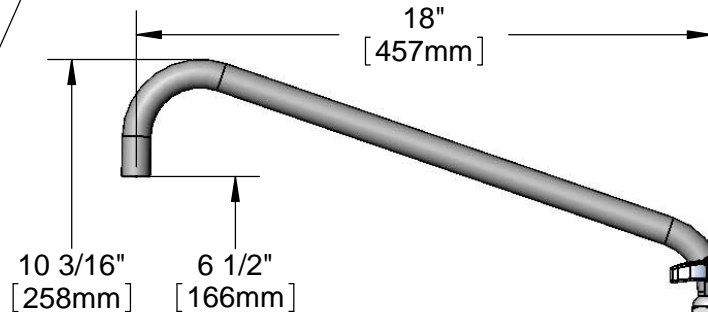
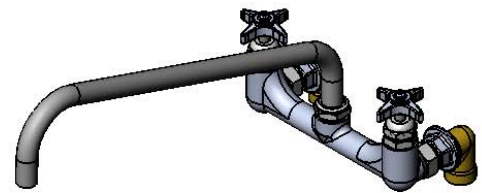
Contractor _____

Architect/Engineer _____



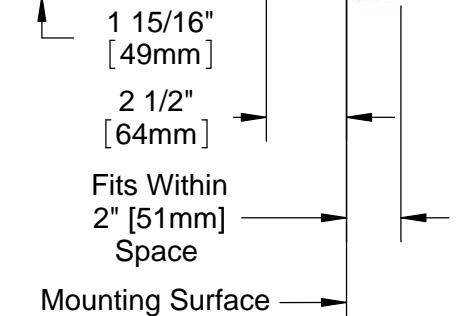
115X
18" Big-Flo Swing
Nozzle w/ Plain End
Outlet

Big-Flo
Cartridges &
4-Arm Handles
w/ Color Coded
Indexes



Ø2" [51mm] Flanges

3/4" NPT Female Inlets



Rough-In Requirement:
(2) Ø1 1/4" [32mm] Mounting Holes

Product Specifications:
8" Wall Mount Big-Flo Mixing Faucet, Big-Flo Cartridges, 4-Arm
Handles, 18" Big-Flo Swing Nozzle & 3/4" NPT Female Inlets

Product Compliance:
ASME A112.18.1 / CSA B125.1
NSF 61 - Section 9
NSF 372 (Low Lead Content)
ANSI A117.1 (ADA)



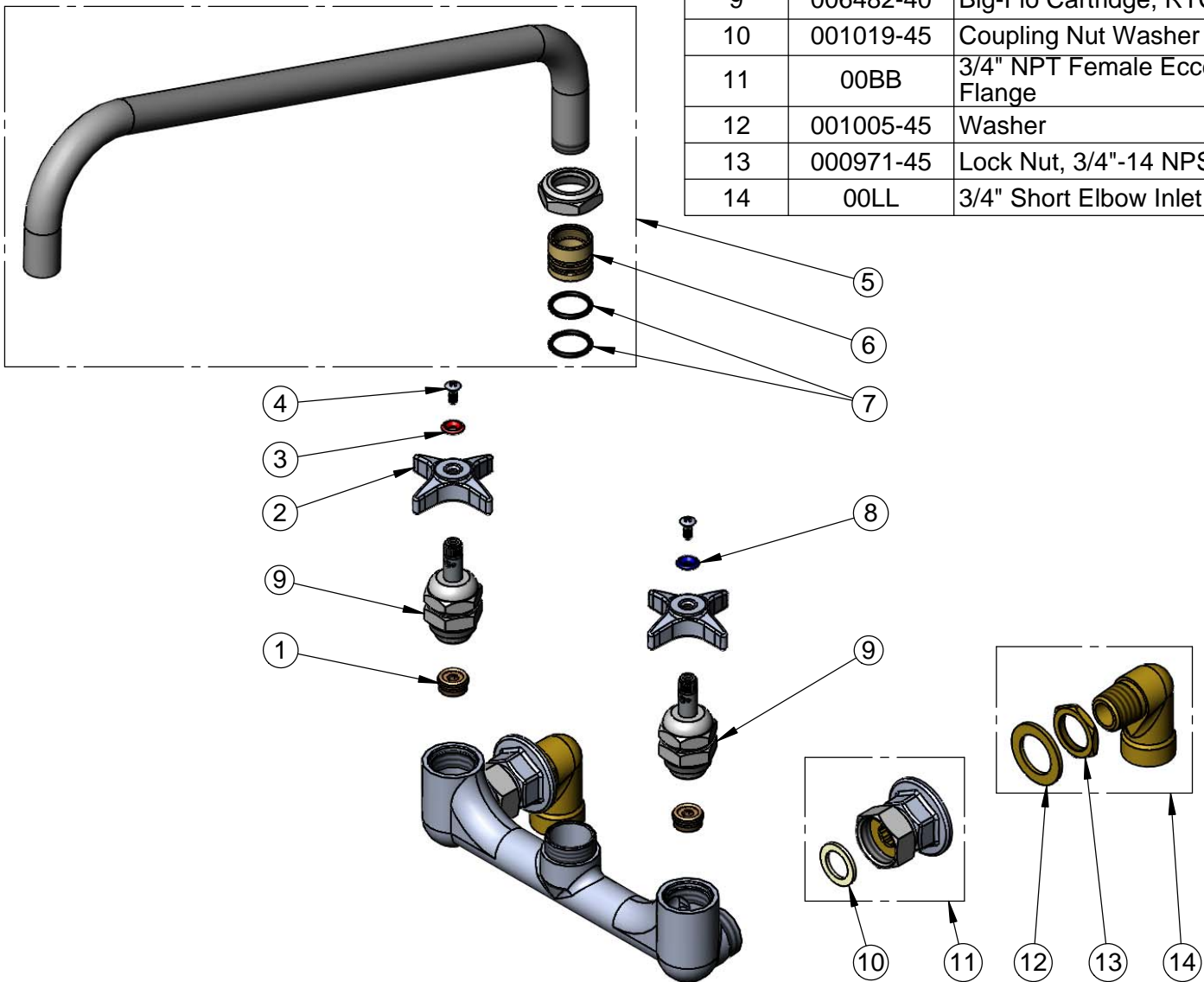
T&S BRASS AND BRONZE WORKS, INC.
 2 Saddleback Cove / P.O. Box 1088
 Travelers Rest, SC 29690

Model No.
B-0291

Item No.

Travelers Rest, SC: 800-476-4103 • Simi Valley, CA: 800-423-0150 • Fax: 864-834-3518 • www.tsbrass.com

ITEM NO.	SALES NO.	DESCRIPTION
1	000764-20	Seat, Big-Flo
2	002521-45	4-Arm Handle
3	001661-45	Red Index-HW
4	000922-45	Lever Handle Screw
5	115X	18" Big-Flo Swing Nozzle
6	000847-20	Big-Flo Swivel Piece
7	001068-45	O-ring
8	001660-45	Blue Index-CW
9	006482-40	Big-Flo Cartridge, RTC
10	001019-45	Coupling Nut Washer
11	00BB	3/4" NPT Female Eccentric Flange
12	001005-45	Washer
13	000971-45	Lock Nut, 3/4"-14 NPSM
14	00LL	3/4" Short Elbow Inlet



Product Specifications:
 8" Wall Mount Big-Flo Mixing Faucet, Big-Flo Cartridges, 4-Arm Handles, 18" Big-Flo Swing Nozzle & 3/4" NPT Female Inlets

Product Compliance:
 ASME A112.18.1 / CSA B125.1
 NSF 61 - Section 9
 NSF 372 (Low Lead Content)
 ANSI A117.1 (ADA)