



# T&S BRASS AND BRONZE WORKS, INC.

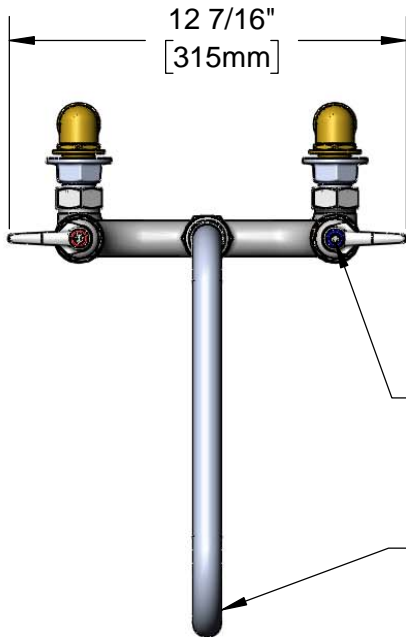
2 Saddleback Cove / P.O. Box 1088  
Travelers Rest, SC 29690

Model No.

**B-0290-PRISON**

Item No.

Travelers Rest, SC: 800-476-4103 • Simi Valley, CA: 800-423-0150 • Fax: 864-834-3518 • www.tsbrass.com



**ADA Compliant**

This Space for Architect/Engineer Approval

Job Name \_\_\_\_\_ Date \_\_\_\_\_

Model Specified \_\_\_\_\_ Quantity \_\_\_\_\_

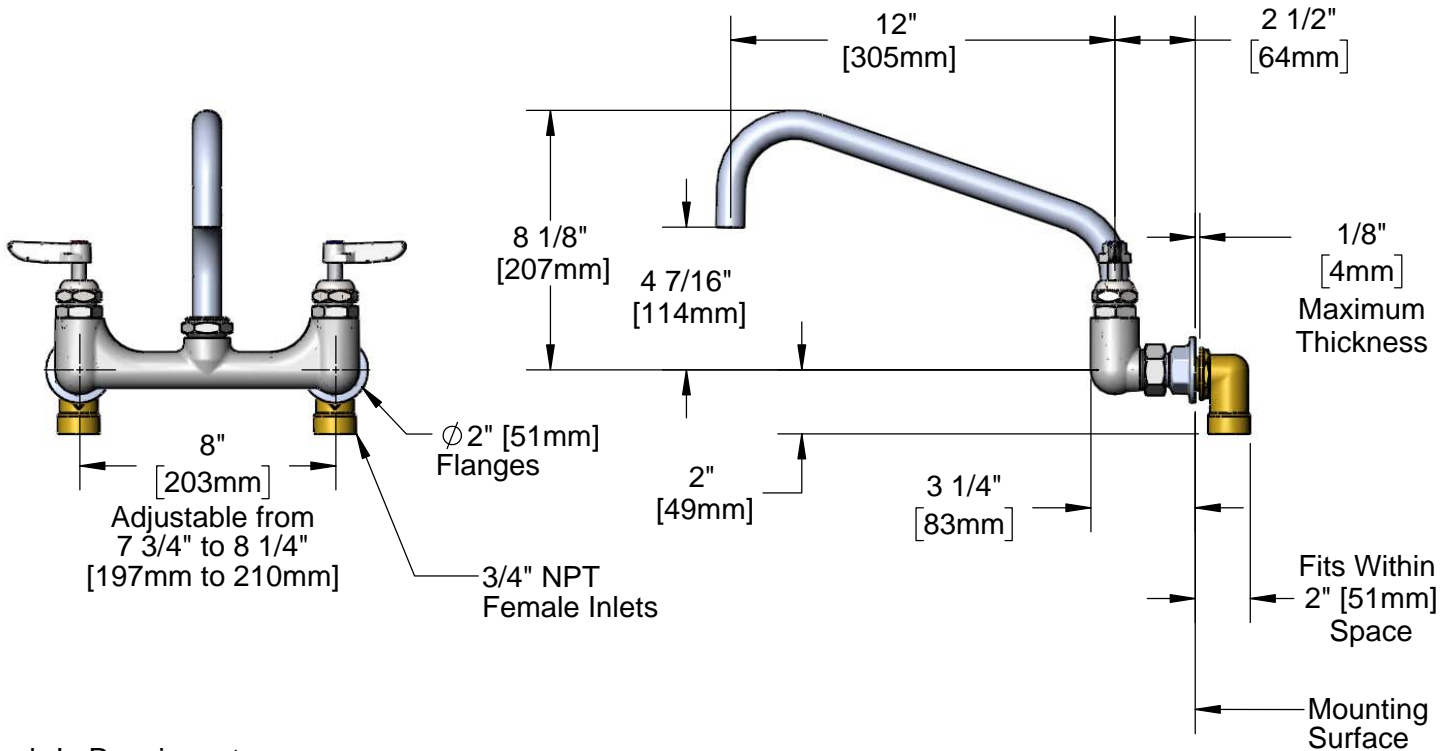
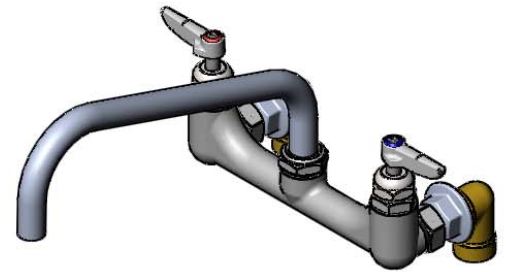
Customer/Wholesaler \_\_\_\_\_

Contractor \_\_\_\_\_

Architect/Engineer \_\_\_\_\_

Solid Brass Chrome Plated  
Lever Handles w/ Color  
Coded Indexes & Vandal  
Resistant Screws

114X  
Big-Flo 12" Swing Nozzle  
w/ Plain End Outlet



**Rough-In Requirement:**  
(2)  $\phi 1 \frac{1}{4}''$  [32mm] Mounting Holes

**Product Specifications:**  
Kettle & Pot Sink Mixing Faucet w/ Big-Flo 12" Swing Nozzle, Solid Brass Chrome Plated Lever Handles w/ VR Screws, Color Coded Indexes & "OOLL" Street Elbows w/ 3/4" NPT Female Inlets

**Product Compliance:**  
ASME A112.18.1 / CSA B125.1  
NSF 61 - Section 9  
NSF 372 (Low Lead Content)  
ANSI A117.1 (ADA)



# T&S BRASS AND BRONZE WORKS, INC.

2 Saddleback Cove / P.O. Box 1088  
Travelers Rest, SC 29690

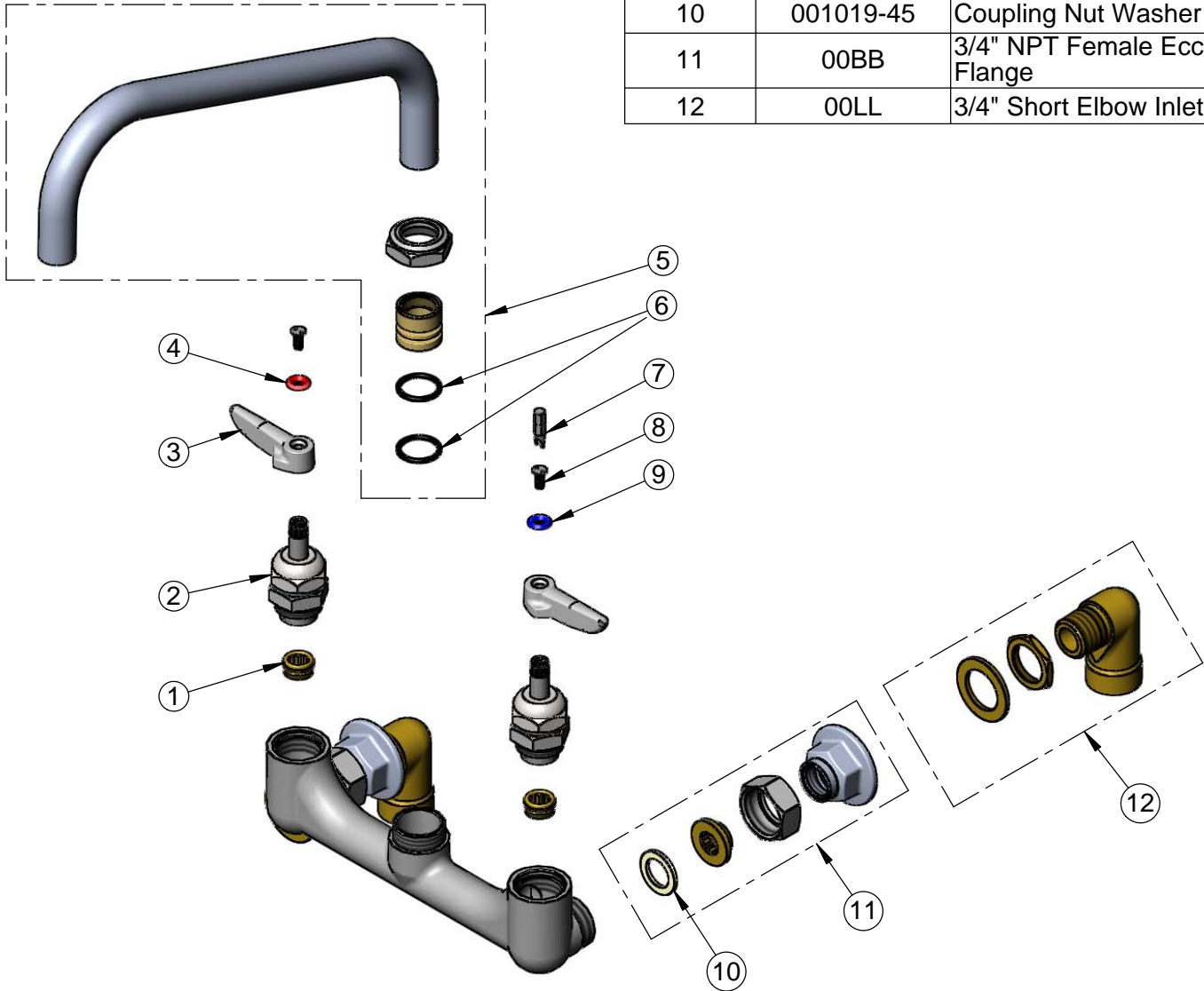
Model No.

**B-0290-PRISON**

Item No.

Travelers Rest, SC: 800-476-4103 • Simi Valley, CA: 800-423-0150 • Fax: 864-834-3518 • www.tsbrass.com

ITEM NO.	SALES NO.	DESCRIPTION
1	000764-20	Seat, Big-Flo
2	006482-40	Big-Flo Cartridge, RTC
3	010027-40	Solid Brass Chrome Plated Lever Handle
4	001661-45	Red Index-HW
5	114X	12" Big-Flo Swing Nozzle
6	001068-45	O-ring
7	014075-45	#10 Spanner Bit
8	VRS-1	VR Lever Handle Screw (2) w/ Spanner Bit
9	001660-45	Blue Index-CW
10	001019-45	Coupling Nut Washer
11	00BB	3/4" NPT Female Eccentric Flange
12	00LL	3/4" Short Elbow Inlet



**Product Specifications:**

Kettle & Pot Sink Mixing Faucet w/ Big-Flo 12" Swing Nozzle, Solid Brass Chrome Plated Lever Handles w/ VR Screws, Color Coded Indexes & "00LL" Street Elbows w/ 3/4" NPT Female Inlets

**Product Compliance:**

ASME A112.18.1 / CSA B125.1  
NSF 61 - Section 9  
NSF 372 (Low Lead Content)  
ANSI A117.1 (ADA)