

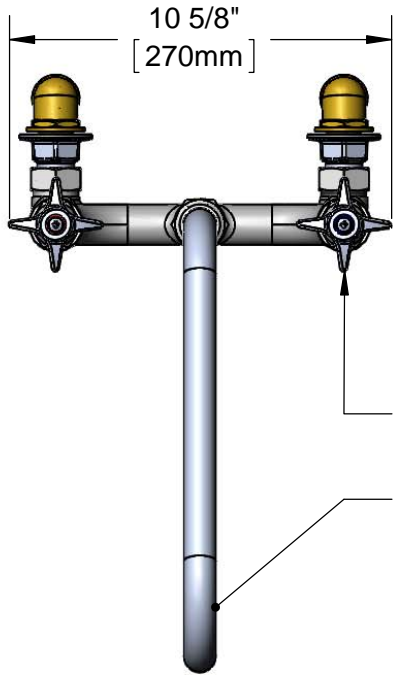


**T&S BRASS AND BRONZE WORKS, INC.**  
 2 Saddleback Cove / P.O. Box 1088  
 Travelers Rest, SC 29690

Model No.  
**B-0290-CVH**

Item No.

Travelers Rest, SC: 800-476-4103 • Simi Valley, CA: 800-423-0150 • Fax: 864-834-3518 • www.tsbrass.com



10 5/8"  
 [270mm]



4-Arm Handles w/  
 Color Coded Indexes

114X  
 Big-Flo 12" Swing Nozzle  
 w/ Plain End Outlet

This Space for Architect/Engineer Approval

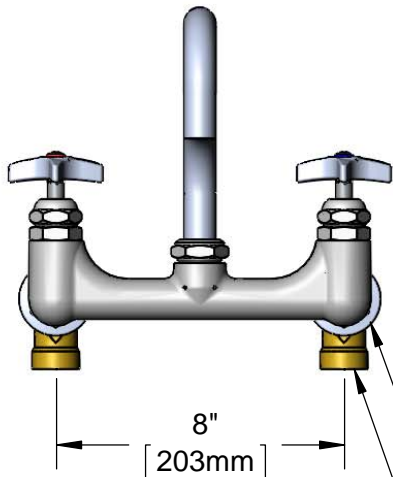
Job Name \_\_\_\_\_ Date \_\_\_\_\_

Model Specified \_\_\_\_\_ Quantity \_\_\_\_\_

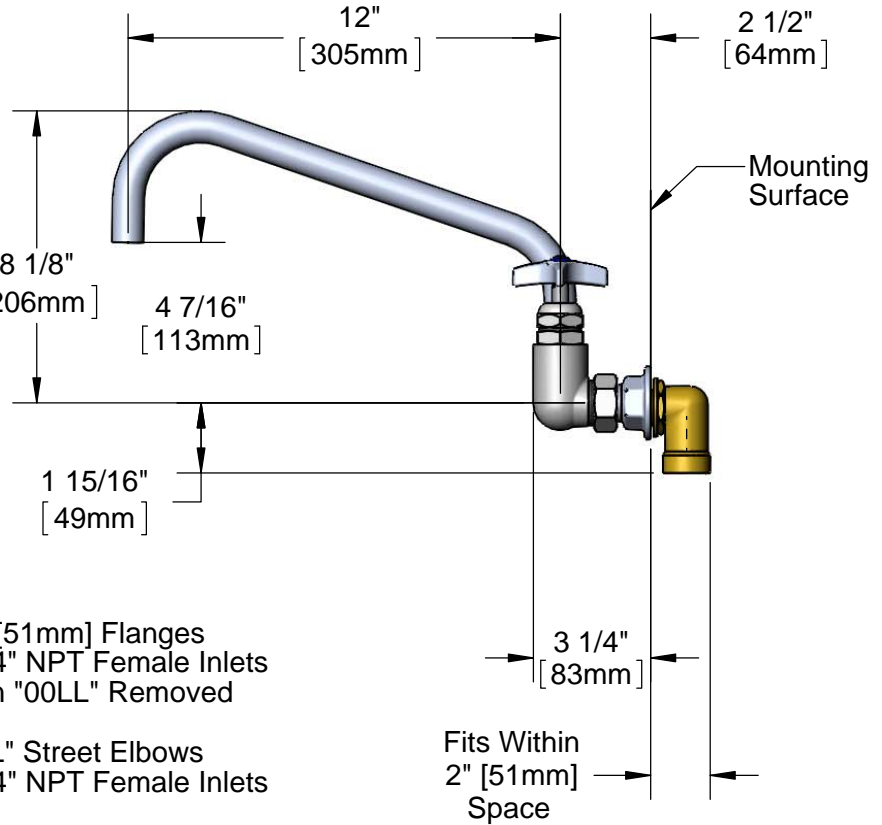
Customer/Wholesaler \_\_\_\_\_

Contractor \_\_\_\_\_

Architect/Engineer \_\_\_\_\_

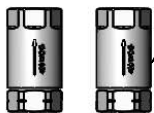


Adjustable from  
 7 3/4" to 8 1/4"  
 [197mm to 210mm]



Ø2" [51mm] Flanges  
 w/ 3/4" NPT Female Inlets  
 When "00LL" Removed

"00LL" Street Elbows  
 w/ 3/4" NPT Female Inlets



(2) B-CVH3-4  
 3/4" NPT Female  
 Check Valves  
 Included

Product Specifications:

8" Wall Mount Big-Flo Mixing Faucet, Big-Flo Cartridges, 12" Big-Flo Swing Nozzle, 4-Arm Handles, Color Coded Indexes, Check Valves & "00LL" Street Elbows

Product Compliance:

ASME A112.18.1 / CSA B125.1  
 NSF 61 - Section 9  
 NSF 372 (Low Lead Content)  
 ANSI A117.1 (ADA)



# T&S BRASS AND BRONZE WORKS, INC.

2 Saddleback Cove / P.O. Box 1088  
Travelers Rest, SC 29690

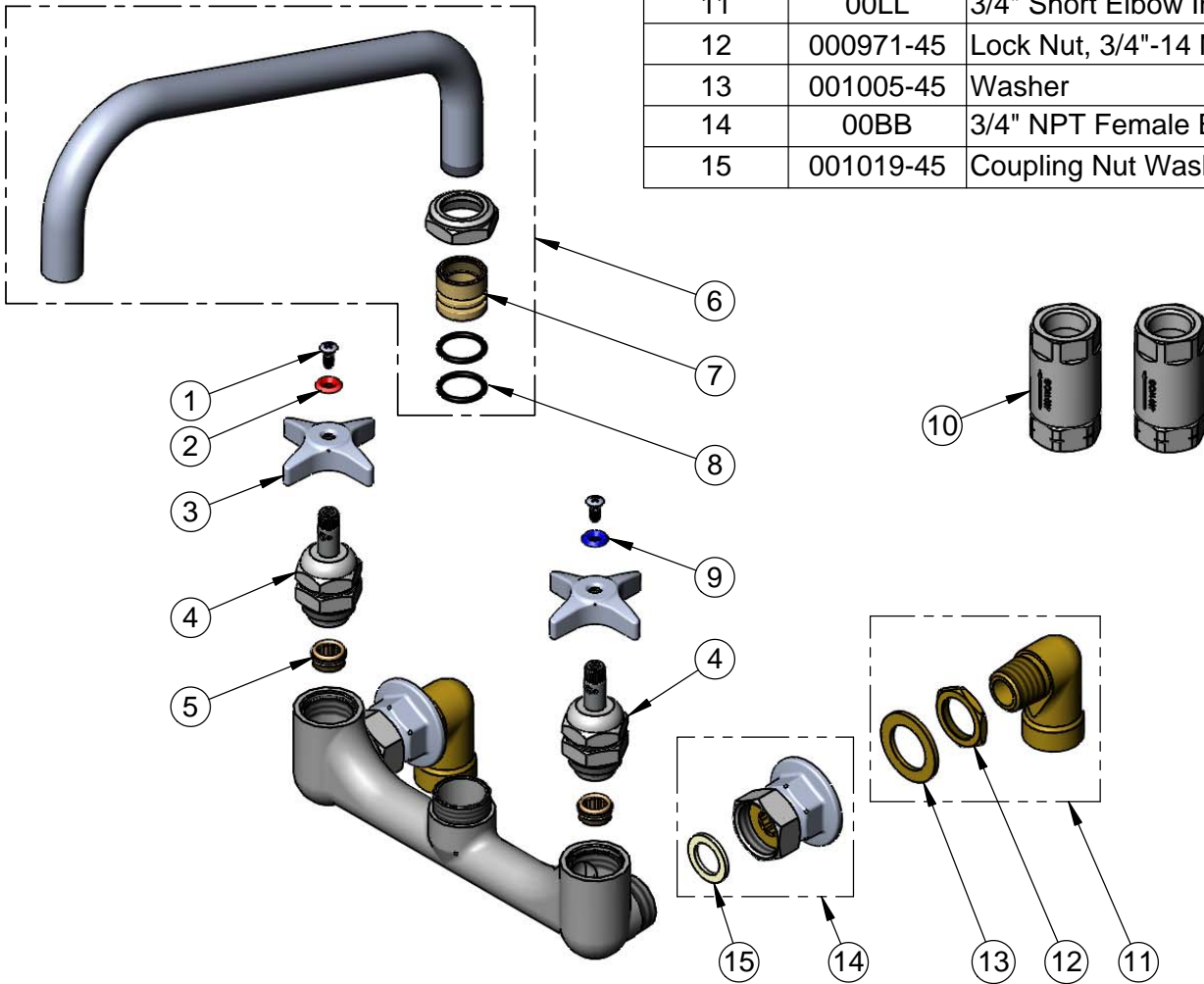
Model No.

**B-0290-CVH**

Item No.

Travelers Rest, SC: 800-476-4103 • Simi Valley, CA: 800-423-0150 • Fax: 864-834-3518 • www.tsbrass.com

ITEM NO.	SALES NO.	DESCRIPTION
1	000922-45	Lever Handle Screw
2	001661-45	Red Index-HW
3	002521-45	4-Arm Handle
4	006482-40	Big-Flo Cartridge, RTC
5	000764-20	Seat, Big-Flo
6	114X	12" Big-Flo Swing Nozzle
7	000847-20	Big-Flo Swivel Piece
8	001068-45	O-ring
9	001660-45	Blue Index-CW
10	B-CVH3-4	3/4" Check Valve
11	00LL	3/4" Short Elbow Inlet
12	000971-45	Lock Nut, 3/4"-14 NPSM
13	001005-45	Washer
14	00BB	3/4" NPT Female Eccentric Flange
15	001019-45	Coupling Nut Washer



**Product Specifications:**  
8" Wall Mount Big-Flo Mixing Faucet, Big-Flo Cartridges, 12" Big-Flo Swing Nozzle, 4-Arm Handles, Color Coded Indexes, Check Valves & "00LL" Street Elbows

**Product Compliance:**  
ASME A112.18.1 / CSA B125.1  
NSF 61 - Section 9  
NSF 372 (Low Lead Content)  
ANSI A117.1 (ADA)