



T&S BRASS AND BRONZE WORKS, INC.
 2 Saddleback Cove / P.O. Box 1088
 Travelers Rest, SC 29690

Model No.
B-0290-BT

Item No.

Travelers Rest, SC: 800-476-4103 • Simi Valley, CA: 800-423-0150 • Fax: 864-834-3518 • www.tsbrass.com



ADA Compliant

This Space for Architect/Engineer Approval

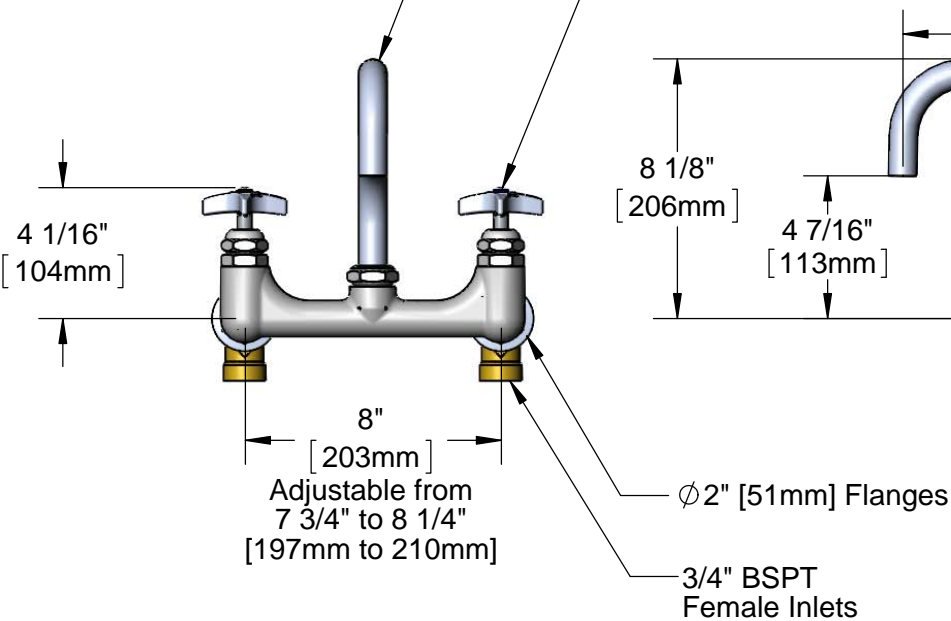
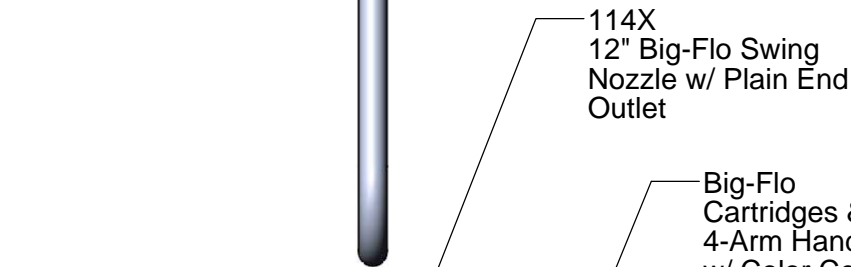
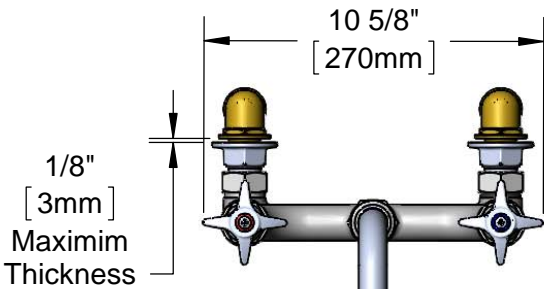
Job Name _____ Date _____

Model Specified _____ Quantity _____

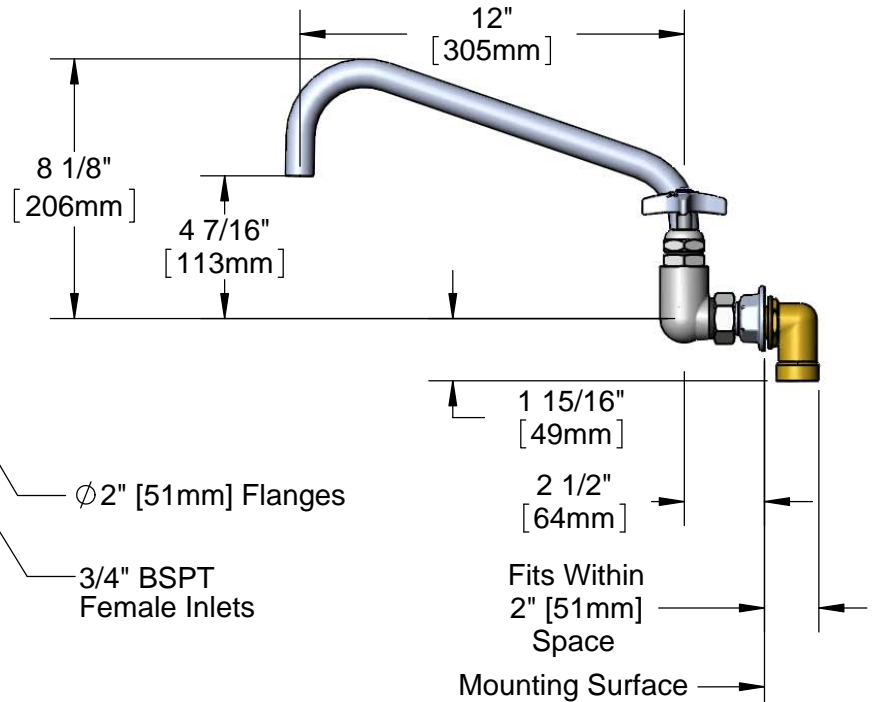
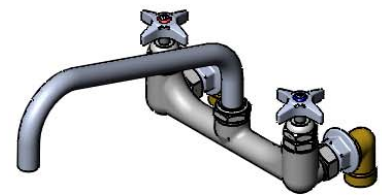
Customer/Wholesaler _____

Contractor _____

Architect/Engineer _____



3/4" BSPT Female Inlets



Rough-In Requirement:
 (2) ϕ 1 1/4" [32mm] Mounting Holes

Product Specifications:
 8" Wall Mount Big-Flo Mixing Faucet, Big-Flo Cartridges, 4-Arm Handles, 12" Big-Flo Swing Nozzle & 3/4" BSPT Female Inlets

Product Compliance:
 ASME A112.18.1 / CSA B125.1
 NSF 61 - Section 9
 NSF 372 (Low Lead Content)
 ANSI A117.1 (ADA)



T&S BRASS AND BRONZE WORKS, INC.

2 Saddleback Cove / P.O. Box 1088
Travelers Rest, SC 29690

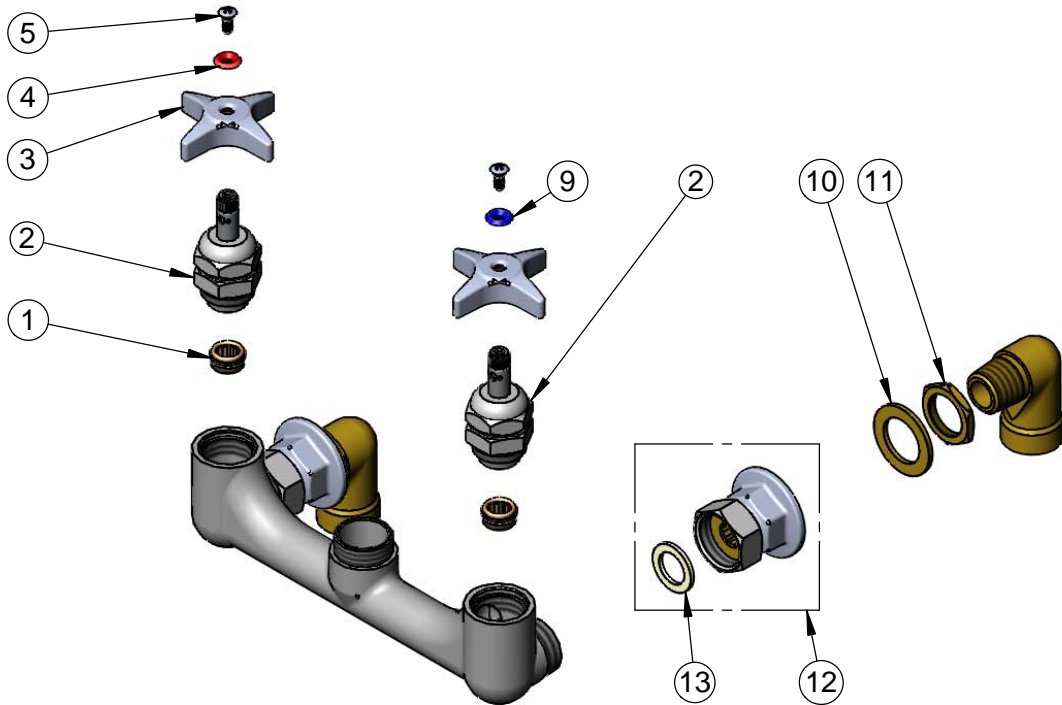
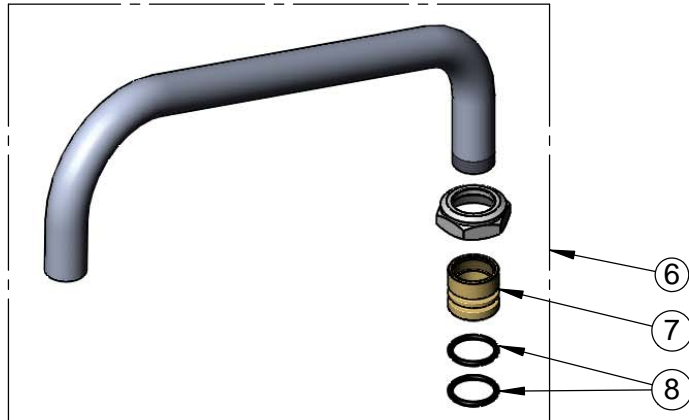
Model No.

B-0290-BT

Item No.

Travelers Rest, SC: 800-476-4103 • Simi Valley, CA: 800-423-0150 • Fax: 864-834-3518 • www.tsbrass.com

ITEM NO.	SALES NO.	DESCRIPTION
1	000764-20	Seat, Big-Flo
2	006482-40	Big-Flo Cartridge, RTC
3	002521-45	4-Arm Handle
4	001661-45	Red Index-HW
5	000922-45	Lever Handle Screw
6	114X	12" Big-Flo Swing Nozzle
7	000847-20	Swivel Piece
8	001068-45	O-ring
9	001660-45	Blue Index-CW
10	001005-45	Washer
11	000971-45	Lock Nut, 3/4"-14 NPSM
12	00BB	3/4" NPT Female Eccentric Flange
13	001019-45	Coupling Nut Washer



Product Specifications:

8" Wall Mount Big-Flo Mixing Faucet, Big-Flo Cartridges, 4-Arm Handles, 12" Big-Flo Swing Nozzle & 3/4" BSPT Female Inlets

Product Compliance:

ASME A112.18.1 / CSA B125.1
NSF 61 - Section 9
NSF 372 (Low Lead Content)
ANSI A117.1 (ADA)