



# T&S BRASS AND BRONZE WORKS, INC.

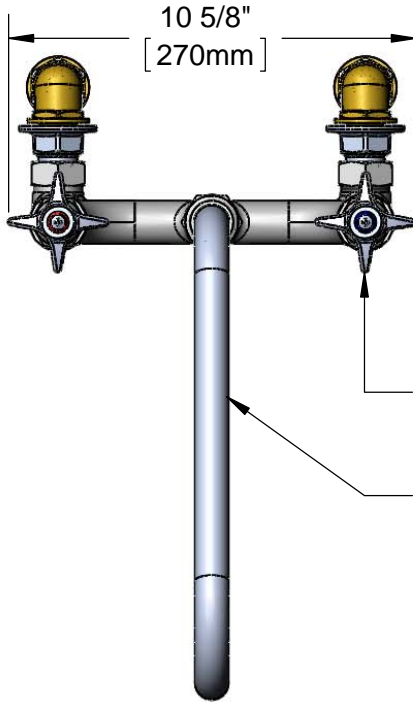
2 Saddleback Cove / P.O. Box 1088  
Travelers Rest, SC 29690

Model No.

**B-0290-0427**

Item No.

Travelers Rest, SC: 800-476-4103 • Simi Valley, CA: 800-423-0150 • Fax: 864-834-3518 • www.tsbrass.com



10 5/8"  
[270mm]



**ADA Compliant**

4-Arm Handles w/  
Color Coded Indexes

114X  
Big-Flo 12" Swing  
Nozzle w/ Plain End  
Outlet

This Space for Architect/Engineer Approval

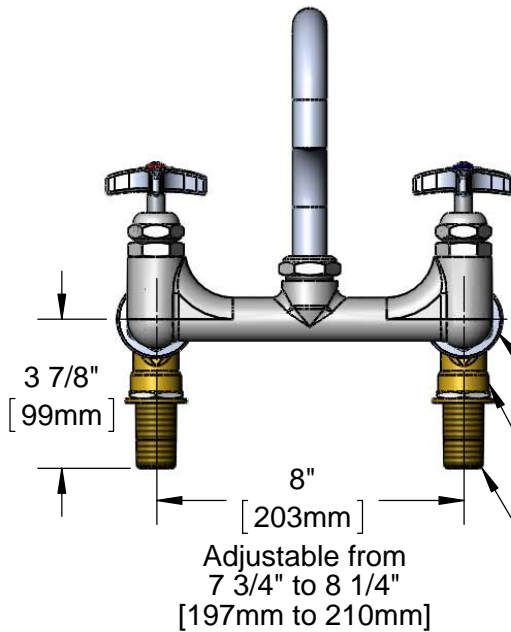
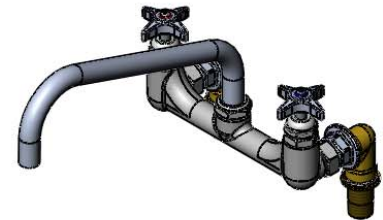
Job Name \_\_\_\_\_ Date \_\_\_\_\_

Model Specified \_\_\_\_\_ Quantity \_\_\_\_\_

Customer/Wholesaler \_\_\_\_\_

Contractor \_\_\_\_\_

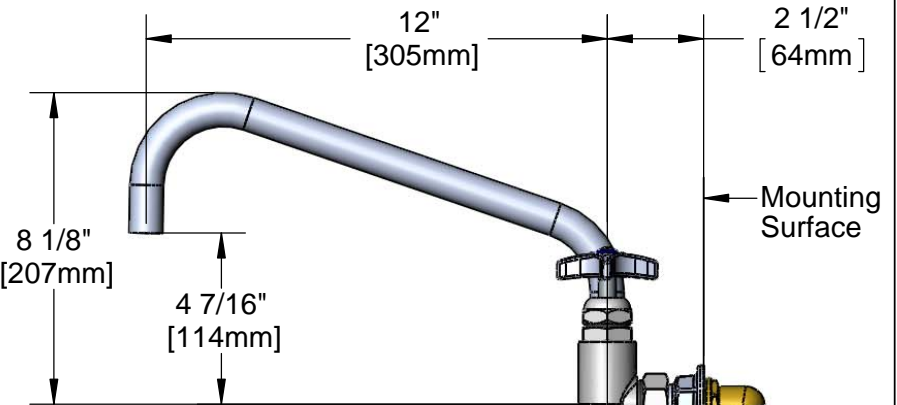
Architect/Engineer \_\_\_\_\_



3 7/8"  
[99mm]

8"  
[203mm]

Adjustable from  
7 3/4" to 8 1/4"  
[197mm to 210mm]



12"  
[305mm]

2 1/2"  
[64mm]

8 1/8"  
[207mm]

4 7/16"  
[114mm]

Mounting  
Surface

Ø2" [51mm] Flanges  
w/ 3/4" NPT Female Inlets  
When "00LL" Removed

"00LL" Street Elbows  
w/ 3/4" NPT Female Inlets

B-0427  
3/4" x 2 1/2" Supply Nipple Kits

2 1/2"  
[64mm]

Fits Within  
2" [51mm]  
Space

Rough-In Requirement:  
Ø 1 1/4" [32mm] Mounting Holes

Product Specifications:  
8" Wall Mount Big-Flo Mixing Faucet, Big-Flo Cartridges, 12" Big-Flo Swing  
Nozzle, 4-Arm Handles, Color Coded Indexes, "00LL" Street Elbows & B-  
0427 Supply Nipple Kits

Product Compliance:  
ASME A112.18.1 / CSA B125.1  
NSF 61 - Section 9  
NSF 372 (Low Lead Content)  
ANSI A117.1 (ADA)



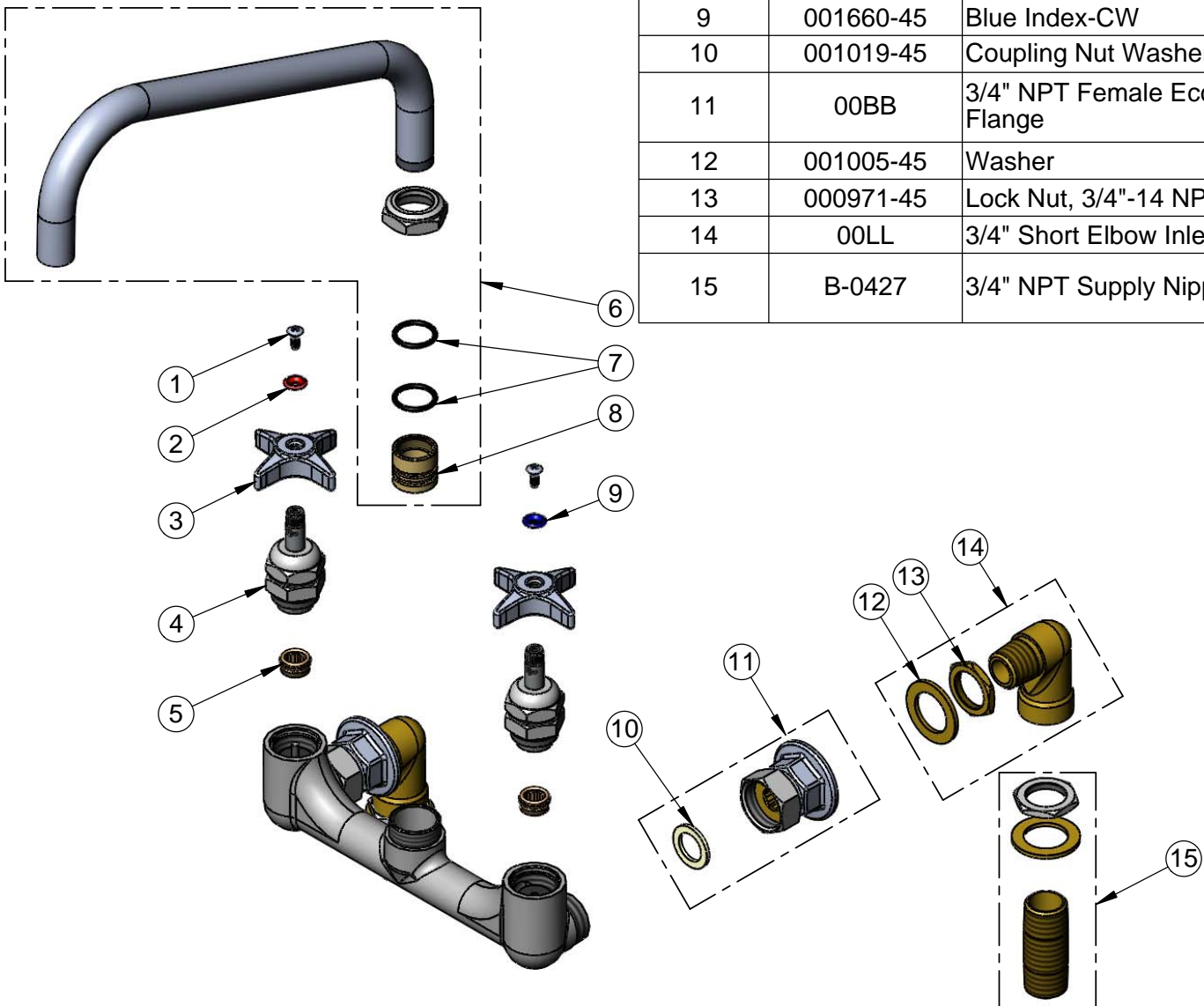
**T&S BRASS AND BRONZE WORKS, INC.**  
 2 Saddleback Cove / P.O. Box 1088  
 Travelers Rest, SC 29690

Model No.  
**B-0290-0427**

Item No.

Travelers Rest, SC: 800-476-4103 • Simi Valley, CA: 800-423-0150 • Fax: 864-834-3518 • www.tsbrass.com

| ITEM NO. | SALES NO. | DESCRIPTION                      |
|----------|-----------|----------------------------------|
| 1        | 000922-45 | Lever Handle Screw               |
| 2        | 001661-45 | Red Index-HW                     |
| 3        | 002521-45 | 4-Arm Handle                     |
| 4        | 006482-40 | Big-Flo Cartridge, RTC           |
| 5        | 000764-20 | Seat, Big-Flo                    |
| 6        | 114X      | 12" Big-Flo Swing Nozzle         |
| 7        | 001068-45 | O-ring                           |
| 8        | 000847-20 | Big-Flo Swivel Piece             |
| 9        | 001660-45 | Blue Index-CW                    |
| 10       | 001019-45 | Coupling Nut Washer              |
| 11       | 00BB      | 3/4" NPT Female Eccentric Flange |
| 12       | 001005-45 | Washer                           |
| 13       | 000971-45 | Lock Nut, 3/4"-14 NPSM           |
| 14       | 00LL      | 3/4" Short Elbow Inlet           |
| 15       | B-0427    | 3/4" NPT Supply Nipple Kit       |



**Product Specifications:**

8" Wall Mount Big-Flo Mixing Faucet, Big-Flo Cartridges, 12" Big-Flo Swing Nozzle, 4-Arm Handles, Color Coded Indexes, "00LL" Street Elbows & B-0427 Supply Nipple Kits

**Product Compliance:**

ASME A112.18.1 / CSA B125.1  
 NSF 61 - Section 9  
 NSF 372 (Low Lead Content)  
 ANSI A117.1 (ADA)